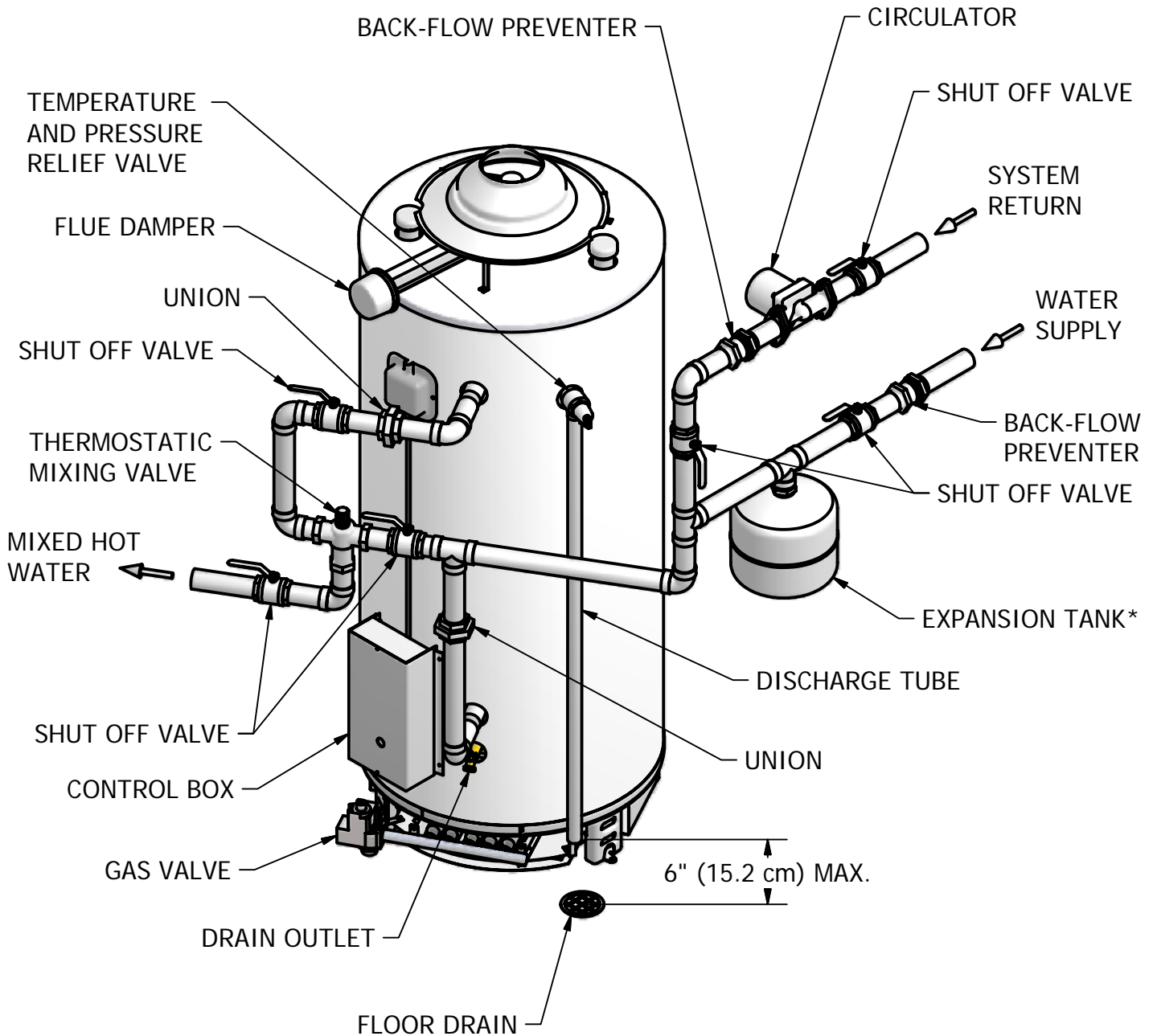


SINGLE COMMERCIAL GAS MODEL
FRONT CONNECTIONS, RETURN
CIRCULATION WITH MIXING VALVE



*EXPANSION TANK REQUIRED TO MINIMIZE ANY PRESSURE BUILD UP IF THE WATER SUPPLY PIPING HAS A BACK-FLOW PREVENTER, CHECK VALVE OR WATER METER WITH A CHECK VALVE.