



COMMERCIAL REPLACEMENT PARTS LIST Commercial Gas Electronic Ignition

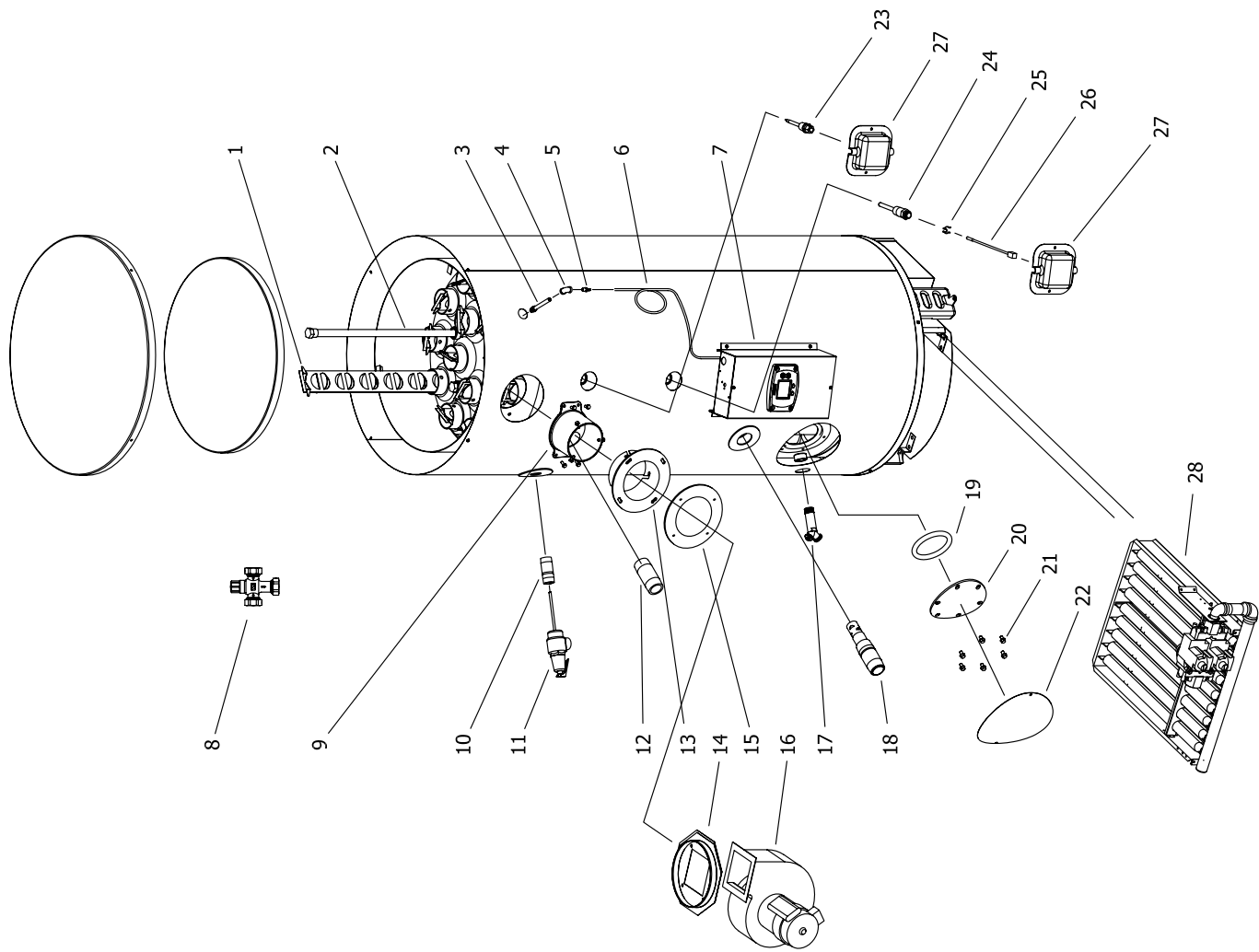


Includes Hydrojet[®]
Total Performance System

***Effective: March 2009
ECO 7187***

**NOTE: BOTH MODEL AND SERIAL
NUMBERS ARE REQUIRED FOR
ORDERING REPLACEMENT PARTS**

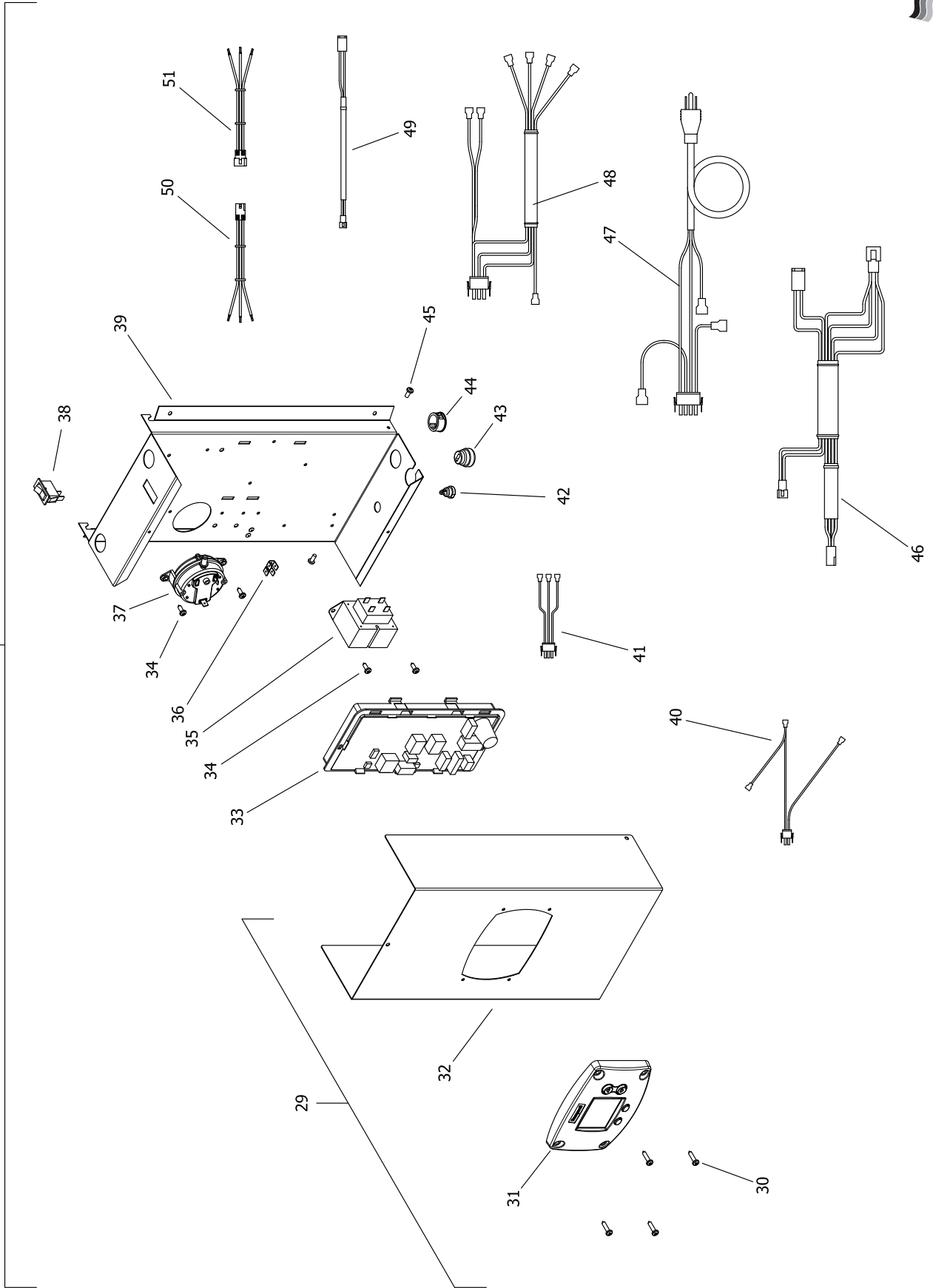
Dimensions and specifications
subject to change without notice.



Item	Description	Model D65T625*(N,X)(A)	Model D80T725*(N,X)(A)
1	Flue Baffle	243-42718-00	243-42718-00
2	Anode (magnesium)	224-32758-29	243-42718-00
	Anode (aluminum)	224-38508-03	224-38508-07
3	Bulk Head Fitting	239-81333-00	239-81333-00
4	1/8 NPT Elbow	239-44368-00	239-44368-00
5	Hose Barb	239-41553-00	239-41553-00
6	Silicone Hose	239-41718-00	239-41718-00
7	Control Box Assembly	243-46622-01	243-46622-02
8	ASSE Approved Mixing Valve (Optional)	239-43740-02	239-43740-02
9	Blower Transition	239-81078-00	239-81078-00
10	T/P Nipple	229-32762-19	229-32762-19
11	T/P Valve	230-33630-04	230-33630-04
12	Hot Water Outlet Nipple	229-40913-02	229-40913-02
13	Blower Flange Mount	239-81077-00	239-81077-00
14	Vent Adaptor	239-81108-00	239-81108-00
15	Flange Gasket	239-81161-00	239-81161-00
16	Blower	239-41503-00	239-41503-00
17	Drain Valve (Brass)	265-42351-04	265-42351-04
18	Cold Water Inlet Nipple (Hydrojet)	229-44731-00	229-44731-00
19	Cleanout Gasket	205-18427-00	205-18427-00
19A	Cleanout Gasket (ASME)	205-32942-00	205-32942-00
20	Cleanout Cover	205-18428-00	205-18428-00
20A	Cleanout Cover (ASME)	205-32941-00	205-32941-00
21	Screw 5/16-18 X 1/2 Hex	239-82166-00	239-82166-00
21A	Screw 5/16-18 X 1/2 Hex (ASME)	239-32970-00	239-32970-00
22	Cleanout Cover Jacket	243-20299-00	243-20299-00
23	Upper Thermostat	239-82033-00	239-82033-00
24	Lower Thermostat Well	233-46558-02	233-46558-02
25	Clip for Lower Thermostat	233-45242-00	233-45242-00
26	Lower Thermostat Sensor	239-46553-02	239-46553-02
27	Utility Cover	239-80281-03	239-80281-03
28	Burner Assembly (Natural Gas) **	243-39322-07	243-39322-09
	Burner Assembly (LP Gas) **	243-39322-08	243-39322-10

*Applies to all warranties

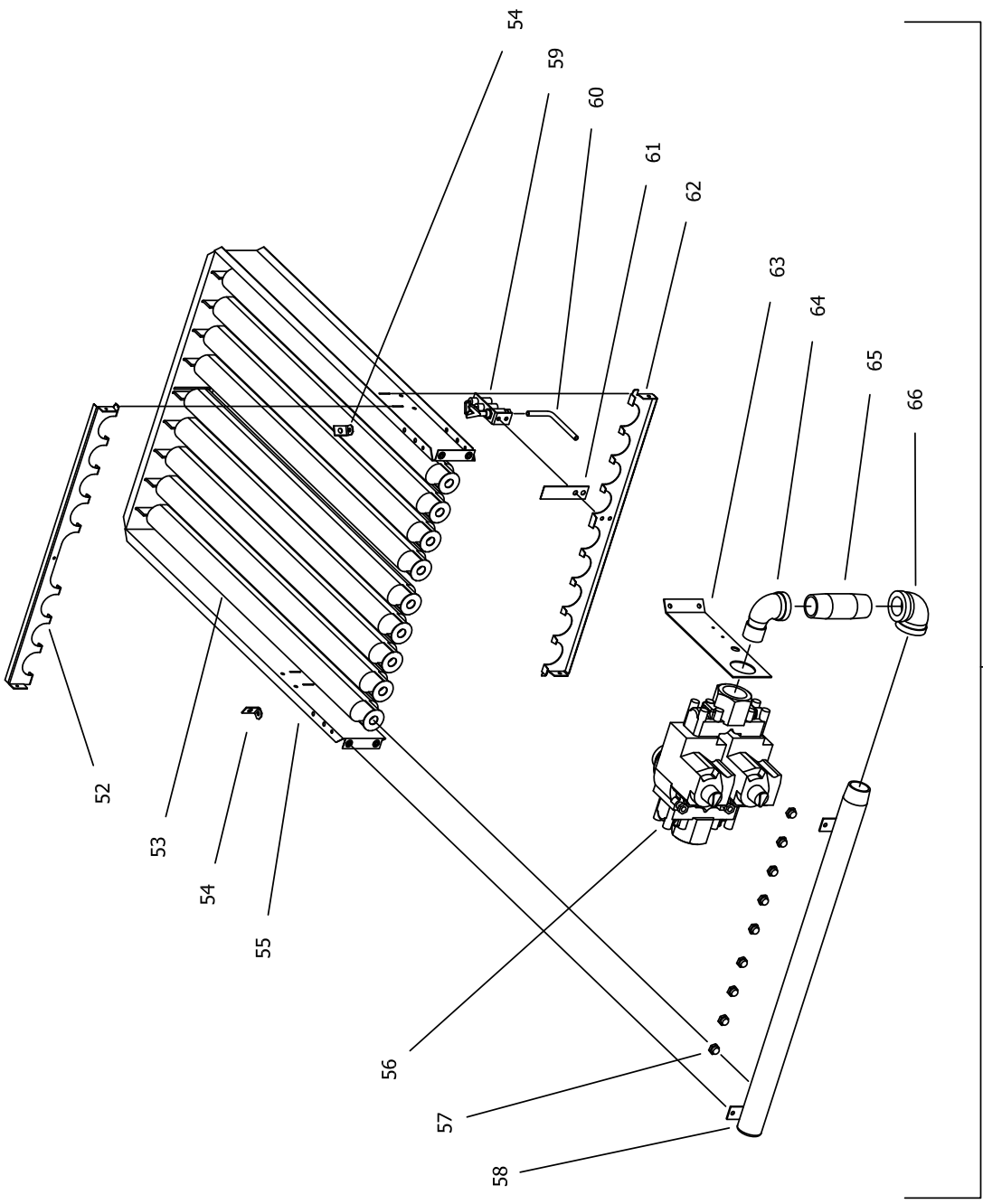
**Ordering a complete burner assembly may increase delivery time. Please order the specific component required for the quickest delivery.



Item	Description	Model D65T625*(N,X)(A)	Model D80T725*(N,X)(A)
7	Control Box Assembly	243-46622-01	243-46622-02
29	Control Box Cover Assembly	243-46615-02	243-46615-02
30	Screw #8-18 X 3/4 Pan Head CR	239-43863-00	239-43863-00
31	Honeywell Temperature Control Display	233-46557-00	233-46557-00
32	Control Box Cover	239-46509-00	239-46509-00
33	Integrated Control Board	233-46627-00	233-46627-00
34	Screw #8-18 X 1/2 Pan Head CR	239-43736-00	239-43736-00
35	Transformer 110V	233-44072-01	233-44072-01
36	Ground Lug 1/4 x .032	239-80112-00	239-80112-00
37	Pressure Switch	239-44064-01	239-44064-01
38	Power On/Off Switch	239-41566-00	239-41566-00
39	Control Box Panel	239-46508-00	239-46508-00
40	Secondary Transformer Wiring Harness	239-46530-00	239-46530-00
41	Primary Transformer Wiring Harness	239-46531-00	239-46531-00
42	Strain Relief Bushing 1/2"	239-44575-00	239-44575-00
43	Strain Relief Bushing 7/8"	239-80372-00	239-80372-00
44	Snap-in Bushing 7/8"	239-80406-00	239-80406-00
45	Screw 8/32 X 1/4 Pan Head CR w/adh.	239-46522-00	239-46522-00
46	Damper Wiring Harness	239-46525-02	239-46525-02
47	Power Cord Wiring Harness	239-46533-00	239-46533-00
48	Gas Valve Control Wiring Harness	239-46534-01	239-46534-01
49	Upper Sensor Harness	23946623-02	23946623-01
50	Display Control Wiring Harness	239-46944-00	239-46944-00
51	Display Cover Wiring Harness	239-46617-00	239-46617-00

*Applies to all warranties

**Ordering a complete burner assembly may increase delivery time. Please order the specific component required for the quickest delivery.



28

Item	Description	Model	Model
		D65T625*(N,X)(A)	D80T725*(N,X)(A)
28	Burner Assembly (Natural Gas) **	243-39322-07	243-39322-09
	Burner Assembly (LP Gas) **	243-39322-08	243-39322-10
52	Burner Panel	239-39421-00	239-39421-00
53	Burner Tube (STD)	228-39177-00	228-39177-00
	Burner Tube (Stainless Steel)	228-81964-00	228-81964-00
54	Burner Mounting Bracket	243-39260-00	243-39260-00
55	Burner Rack	239-81969-03	239-81969-03
56	Dual Gas Valve Assembly (Natural Gas)	222-81608-03	222-81608-03
	Dual Gas Valve Assembly (LP Gas)	222-81608-04	222-81608-04
57	Main Burner Orifice (Natural Gas) (0ft to 2000ft)	234-06016-25 (Qty 9)	234-06016-20 (Qty 9)
	High Altitude Orifice (Natural Gas) (2001ft to 5000ft)	234-06016-28 (Qty 9)	234-06016-25 (Qty 9)
	High Altitude Orifice (Natural Gas) (5001ft to 8000ft)	234-06016-30 (Qty 9)	234-06016-28 (Qty 9)
	High Altitude Orifice (Natural Gas) (8001ft & above)	234-06016-30 (Qty 9)	234-06016-29 (Qty 9)
	Main Burner Orifice (LP Gas) (0ft to 2000ft)	234-06016-40 (Qty 9)	234-06016-70 (Qty 9)
	High Altitude Orifice (LP Gas) (2001ft to 5000ft)	234-06016-42 (Qty 9)	234-06016-39 (Qty 9)
	High Altitude Orifice (LP Gas) (5001ft to 8000ft)	234-06016-44 (Qty 9)	234-06016-42 (Qty 9)
	High Altitude Orifice (LP Gas) (8001ft & above)	234-06016-44 (Qty 9)	234-06016-42 (Qty 9)
58	Manifold (Natural Gas)	233-39171-00	233-39171-00
	Manifold (LP Gas)	233-39173-00	233-39173-00
59	Pilot Assembly (Natural Gas)	233-41323-01	233-41323-01
	Pilot Assembly (LP Gas)	233-41323-02	233-41323-02
60	Aluminum Tubing	233-80361-01	233-80361-01
61	Pilot Draft Shield	239-81116-00	239-81116-00
62	Burner Support	239-39259-00	239-39259-00
63	Valve Support Bracket (Natural Gas)	239-81816-01	239-81816-01
	Valve Support Bracket (LP Gas)	239-81816-02	239-81816-02
64	1" NPT Street Elbow (Natural Gas Only)	239-19636-00	239-19636-00
65	1" NPT X 3/2" Nipple (Natural Gas Only)	239-81595-00	239-81595-00
66	1" NPT Elbow (Natural Gas Only)	239-19637-00	239-19637-00
-	LP to Natural Gas Conversion Kit	265-46034-02	265-46034-05

*Applies to all warranties

**Ordering a complete burner assembly may increase delivery time. Please order the specific component required for the quickest delivery.



BRADFORD WHITE®

W A T E R H E A T E R S

Ambler, PA

For U.S. and Canada field service,
contact your professional installer or
local Bradford White sales representative.

Sales/800-523-2931
Fax/215-641-1670
Parts Fax/215-641-2180

Technical Support/800-334-3393
Fax/269-795-1089

Warranty/800-531-2111
Fax/269-795-1089

International:
Telephone/215-641-9400
Telefax/215-641-9750



BRADFORD WHITE-CANADA® INC.

Mississauga, ON

Sales/866-690-0961
905-238-0100

Fax/905-238-0105

Technical Support/800-334-3393

Email

parts@bradfordwhite.com
techserv@bradfordwhite.com

www.bradfordwhite.com