



BRADFORD WHITE[®]
W A T E R H E A T E R S

RESIDENTIAL REPLACEMENT PARTS LIST
Residential Solar With Gas Backup
(Ultra Low NO_x) Models



SDW4U503*FRN
SDW2U65T*FRN

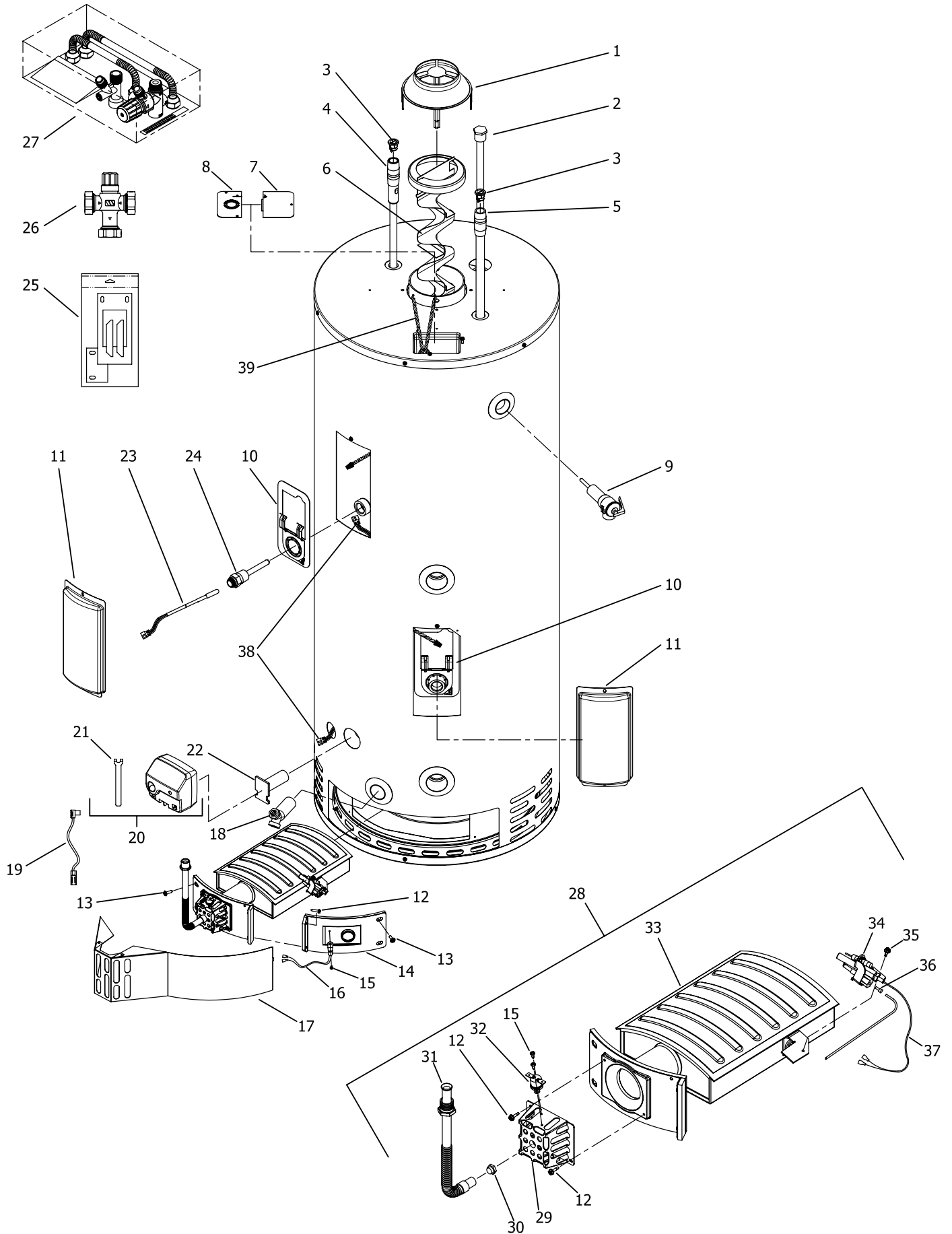


Includes Hydrojet[®]
Total Performance System

Effective: October, 2009
ECO 7340

**NOTE: BOTH MODEL AND SERIAL
NUMBERS ARE REQUIRED FOR
ORDERING REPLACEMENT PARTS**

Dimensions and specifications
subject to change without notice.



Item	Description	Model	Model
		SDW4U503*FRN	SDW2U65T*FRN
1	Draft Diverter	243-45787-00	243-33081-02-20
2	Hex Head Anode (Aluminum)	224-38508-03	224-38508-03
3	Heat Trap Insert	239-45167-00	239-45167-00
4	Hot Water Outlet Anode (Aluminum) ▲	224-32999-30	224-32999-06
	Hot Water Outlet A420 ▲	224-45147-01	224-45147-01
5	Cold Water Inlet Polysulfone (NC Code) ▲	229-39628-14	229-39628-08
6	Flue Baffle	243-44705-00	243-46752-00
7	Junction Box Cover	243-39452-00	243-39452-00
8	Conduit Cover/Ground	243-39451-00	243-39451-00
9	T&P Relief Valve	230-40594-02	230-40594-02
10	Thermostat Bracket Assembly	243-47564-01	243-47564-01
11	Access Cover	243-36618-02	243-36618-02
12	Screw-#8-18 X 3/4 HWH	239-44195-00	239-44195-00
13	Screw-#10-12 X 3/4 HWH	239-44113-00	239-44113-00
14	Right Side Inner Door Complete (w/RTD Sensor)	239-46697-03	239-46697-04
15	Screw-#6-20 X 3/8 PHCR	239-43967-00	239-43967-00
16	RTD Sensor	239-46793-00	239-46793-00
17	Outer Door	239-46209-00	239-46209-00
18	Brass Drain Valve	265-42351-02	265-42351-02
19	Wire Harness (Gas Control to Resettable Thermal Switch)	239-47892-00	239-47892-00
20	Gas Control (w/ Service Tool)	239-46402-01	239-46402-01
21	Gas Control Service Tool	239-45991-00	239-45991-00
22	Gas Control Bracket	239-47686-00	239-47686-00
23	Thermostat Sensor	239-47919-00	239-47919-00
24	Thermostat Sensor Well	239-46558-01	239-46558-01
25	Inner Door Gasket Kit	239-47062-00	239-47062-00
26	ASSE Approved Mixing Valve (Optional)	239-43740-01	239-43740-01
27	Universal Integrated Mixing Device Kit (IMD) (8" or 11")	239-47864-00	239-47864-00
28	Burner Assembly***	243-46693-06	243-46693-09
29	Manifold Mount	239-46201-00	239-46201-00
30	Orifice	234-18194-36	234-18194-31
31	Flexible Gas Feedline	233-46930-01	233-46930-01
32	Resettable Thermal Switch	239-43676-03	239-43676-03
33	Burner	228-46692-18	228-46692-21
34	Pilot Assembly Kit	239-47449-00	239-47449-00
35	Screw-#8-18 X 1/2 TEK	239-32761-00	239-32761-00
36	Pilot Orifice	234-47098-00	234-47098-00
37	Thermopile Kit	233-47446-00	233-47446-00
38	Thermostat Sensor Wire Harness	239-47687-02	239-47687-02
39	Solar Sensor Wire Harness	243-47267-01	243-47267-01

*Applies to all warranties

**Inner door gasket kit recommended

***Ordering a complete burner assembly may increase delivery time.

Please order the specific component required for the quickest delivery.

▲ Order with item 3



BRADFORD WHITE®

W A T E R H E A T E R S

Ambler, PA

For U.S. and Canada field service,
contact your professional installer or
local Bradford White sales representative.

Sales/800-523-2931
Fax/215-641-1670
Parts Fax/215-641-2180

Technical Support/800-334-3393
Fax/269-795-1089

Warranty/800-531-2111
Fax/269-795-1089

International:
Telephone/215-641-9400
Telefax/215-641-9750



BRADFORD WHITE-CANADA® INC.

Mississauga, ON

Sales/866-690-0961
905-238-0100

Fax/905-238-0105

Technical Support/800-334-3393

Email

parts@bradfordwhite.com
techserv@bradfordwhite.com

www.bradfordwhite.com