



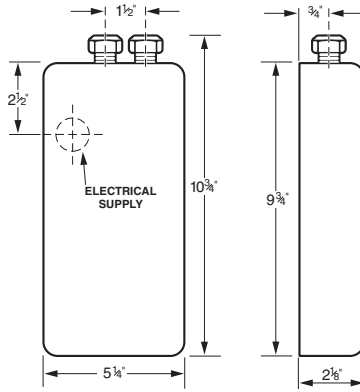
Electric Instantaneous Water Heaters

Features:

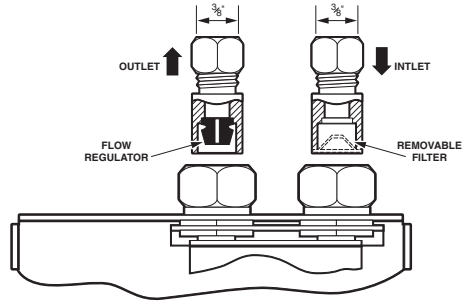
- On Demand Hot Water – no delay.
- Cut Energy Waste – flow switch activates heater only on demand (No stand-by heat loss).
- Continuous Hot Water – no storage capacity to run out.
- No T&P relief valve needed – check local codes.
- Integral Flow Restrictor – built-in to ensure proper temperature rise.
- Easy Installation – mounts on wall – no sweat connections.
- Ni Chrome Heating Element – a unique, patented flow path ensures optimum heat transfer and extended element life.
- Reduces Calcification.
- Space Saving Installation – compact size.
- Field Serviceable Element – replaceable cartridge element (1 year warranty).
- Warranty – heaters are designed for durability and guaranteed against failure due to leaks of “Heater Body/Element Assembly” for a period of 10 years.



Single Point



Requires 50 amp breaker



RATINGS OF "SINGLE POINT" UNITS

Model	kW Rating	Voltage	AMPS	Temperature Rise °F	Recommended Wire Size
				0.5 GPM	
ES-3000-1-S-10	3.0	120	25.0	41	10 AWG
ES-3500-1-S-10	3.5	120	29.0	48	10 AWG
ES-3500-4-S-10	3.5	240	14.6	48	14 AWG
ES-4100-2-S-10	4.1	208	19.7	56	12 AWG
ES-4100-5-S-10	4.1	277	14.8	56	14 AWG
ES-5500-4-S-10	5.5	240	22.9	75	10 AWG

Specifications

Dimensions: 10.75" x 5.25" x 2.125"

Weight: 3 lbs.

Materials:

Cover: ABS UL rated 94Vo.

Glass reinforced "NORYL†" Heater Body and Ni Chrome Element

Color: White

Element: Replaceable cartridge insert

Pipe-Fittings: 3/8" compression at top of unit

†Noryl™ is a registered trademark of General Electric Company.

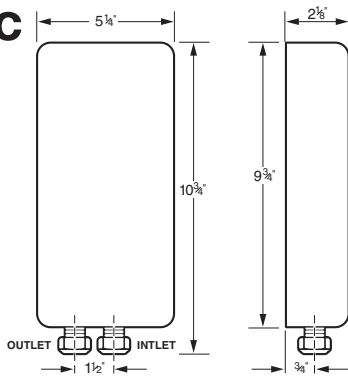
Additional voltages and wattages are available. For more information, please consult factory.

Suggested Specification

Instantaneous Water Heater shall be a Bradford White Model _____ with _____ vac to heat 0.5 GPM @ a temperature rise of _____ degrees F. Unit shall have ABS UL 94 Vo rated cover. Heater body and element shall be glass reinforced Noryl.† Element shall be replaceable cartridge insert. Unit shall have a replaceable filter in the inlet connector and a 0.5 GPM constant flow regulator in the outlet connector. Element shall be iron free, nickel-chrome material. Heater shall be fitted with 3/8" compression nuts and sleeves to eliminate need for soldering. Heater shall be installed upright with water connections on top only. Maximum operating pressure of 150 psi. Hot water storage tanks prohibited. Unit shall be Bradford White or approved equal.

NOTE: Refer to ratings chart for product information.

Thermostatic



Requires 50 amp breaker

Specifications

Dimensions: 10.75" x 5.25" x 2.25"

Weight: 3 lbs.

Materials:

Cover: ABS UL rated 94Vo.

Glass reinforced "NORYL†" Heater Body and Ni Chrome Element

Color: White

Standard temperature range 100°F-140°F.

Element: Replaceable cartridge insert

Pipe-Fittings: 1/2" compression at bottom of unit.

U.L. Listed: E86887(M)

†Noryl™ is a registered trademark of General Electric Company.



RATINGS OF "THERMOSTATIC" MODELS

Model	kW Rating	Voltage	AMPS	Temperature Rise °F					Recommended Wire Size
				0.5 GPM	0.75 GPM	1.0 GPM	1.5 GPM	2.0 GPM	
EFT-7500-4-S-10	7.5	240	32.0	—	68	51	34	25	8 AWG
EFT-9500-4-S-10	9.5	240	40.0	—	86	65	43	32	8 AWG

Suggested Specification

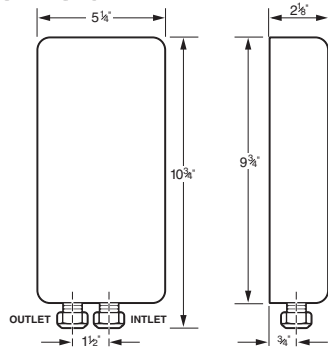
Instantaneous Water Heater shall be a Bradford White Thermostatic Model, capable of maintaining outlet temperature of 0.5°F accuracy _____ with _____ kW, _____ vac _____ to heat _____ GPM @ a temperature rise of _____ degrees F. Unit shall have ABS UL 94 Vo rated cover. Heater body and element shall be glass reinforced Noryl.† Element shall be replaceable cartridge insert. Unit shall have a replaceable filter in the inlet connector. Element shall be iron free, nickel-chrome material. Heater shall be fitted with 1/2" compression nuts and sleeves to eliminate need for soldering. Maximum operating pressure of 150 psi. Hot water storage tanks prohibited. Unit shall be Bradford White or approved equal.

NOTE: Refer to ratings chart for product information.

Additional voltages and wattages are available. For more information, please consult factory.

Flow Controlled

Requires 50 amp breaker



Specifications

Dimensions: 10.75" x 5.25" x 2.125"

Weight: 3 lbs.

Materials:

Cover: ABS UL rated 94Vo.

Glass reinforced "NORYL†" Heater Body and Ni Chrome Element

Color: White

Standard temperature range 100°F-140°F.

Element: Replaceable cartridge insert

Pipe-Fittings: 1/2" compression at bottom of unit.

†Noryl™ is a registered trademark of General Electric Company.



RATINGS OF "FLOW CONTROL" MODELS

Model	kW Rating	Voltage	AMPS	Temperature Rise °F					Recommended Wire Size
				0.5 GPM	0.75 GPM	1.0 GPM	1.5 GPM	2.0 GPM	
EFC-5500-4-S-10	5.5	240	23.0	75	50	38	25	18	10 AWG
EFC-6500-4-S-10	6.5	240	27.0	88	59	44	30	22	10 AWG
EFC-7500-4-S-10	7.5	240	32.0	—	68	51	34	25	8 AWG
EFC-9500-4-S-10	9.5	240	40.0	—	86	65	43	32	8 AWG
EFC-8300-2-S-10	8.3	208	39.0	—	76	57	38	29	8 AWG

Suggested Specification

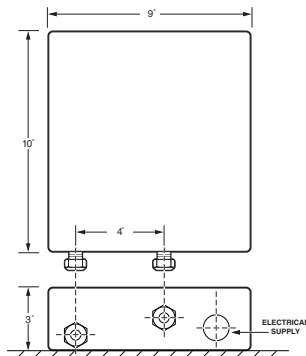
Instantaneous Water Heater shall be a Bradford White Model _____ with _____ kW, _____ vac _____ to heat _____ GPM @ a temperature rise of _____ degrees F. Unit shall have ABS UL 94 Vo rated cover. Heater body and element shall be glass reinforced Noryl.† Element shall be replaceable cartridge insert. Unit shall have a replaceable filter in the inlet connector. Element shall be iron free, nickel-chrome material. Heater shall be fitted with 1/2" compression nuts and sleeves to eliminate need for soldering. Maximum operating pressure of 150 psi. Hot water storage tanks prohibited. Unit shall be Bradford White or approved equal.

NOTE: Refer to ratings chart for product information.

Additional voltages and wattages are available. For more information, please consult factory.

Series Two — Twin Heating Module

Requires (2) 50 amp breakers



"SERIES TWO" Models (Twin Module) With Single Thermostatic Control

Model	kW Rating	Voltage	Current Per Phase	Temperature Rise °F				Recommended Wire Size
				1.5 GPM	2.0 GPM	2.5 GPM	3.0 GPM	
EFT-19000-4-D-10	19.0	240	2 x 40 Amps	87	65	52	43	8 AWG per module

*The unit must have 2 independent electrical circuits using correctly rated wire and 2 circuit breakers.

Specifications

Dimensions: 10" x 9" x 3"

Weight: 8 lbs.

Materials:

Cover: Enameled Steel.

Glass reinforced "NORYL†" Heater Body and Ni Chrome Element

Color: White

Element: Dual replaceable cartridge inserts

Pipe-Fittings: 1/2" compression at bottom of unit

U.S. Patent No.'s: 4,762,980 and 4,960,976

†Noryl™ is a registered trademark of General Electric Company.

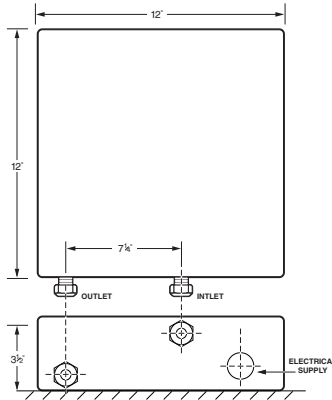
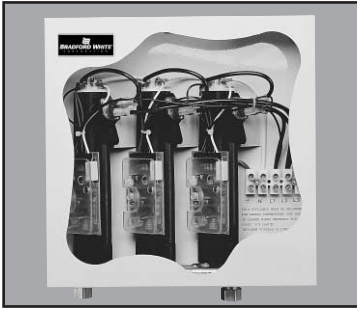
Suggested Specification

Instantaneous Water Heater shall be a Bradford White Series Two Model _____ with _____ kW, _____ vac _____ to heat _____ GPM @ a temperature rise of _____ degrees F. Heater body and element shall be glass reinforced Noryl.† Element shall be replaceable cartridge insert. Unit shall have a replaceable filter in the inlet connector. Element shall be iron free nickel-chrome wire. Heater shall be fitted with 1/2" diameter compression nuts and sleeves to eliminate need for soldering. Maximum operating pressure of 150 psi. Hot water storage tanks prohibited. Units shall be Bradford White or approved equal.

Note: Refer to ratings chart for product information.

Additional voltages and wattages are available. For more information, please consult factory.

Series Three



Requires (3) 50 amp breakers



RATINGS OF "SERIES THREE" MODELS

THERMOSTATIC

Model	kW Rating	Voltage	Current Per Phase	Temperature Rise °F					Recommended Wire Size
				1.5 GPM	2.0 GPM	2.5 GPM	3.0 GPM	4.0 GPM	
EFT-28000-4-T-10	28.0	240	3 x 40 Amps	—	—	—	65	50	8 AWG

If the unit is connected to a 460/265 three phase system, the above outputs will be reduced by 8.5%.

$$\text{Rise in Temp. (°F)} = \frac{\text{KW rating} \times 6.83}{\text{GPM}}$$

$$\text{Flow Rate. (GPM)} = \frac{\text{KW rating} \times 6.83}{\text{rise in temp (°F)}}$$

Specifications

Dimensions: 12" x 12" x 3½"

Weight: 12 lbs.

Materials:

Cover: Enameled Steel.

Glass reinforced "NORYL†" Heater Body and Ni Chrome Element

Color: White

Element: Triple replaceable cartridge inserts

Pipe-Fittings: 1/2" compression at bottom of unit

U.S. Patent No.'s: 4,762,980 and 4,960,976

†Noryl™ is a registered trademark of General Electric Company.

Suggested Specification

Instantaneous Water Heater shall be a Bradford White "Series Three" _____ with _____ kW, _____ vac _____ to heat _____ GPM @ a temperature rise of _____ degrees F. Unit shall be _____ or _____

Heater body and element shall be glass reinforced Noryl. † Element shall be replaceable cartridge insert. Unit shall have a replaceable filter in the inlet connector. Element shall be iron free nickel-chrome wire. Heater shall be fitted with 1/2" diameter compression nuts and sleeves to eliminate need for soldering. Maximum operating pressure of 150 psi. Hot water storage tanks prohibited. Units shall be Bradford White or approved equal.

Note: Refer to ratings chart for product information.

Additional voltages and wattages are available. For more information, please consult factory.

Voltage Identification Code For All Models:

Voltage Code	Voltage
1	120
2	208
3	220
4	240
5	277
6	480

Example: EFT-28000-4-T-10

The 4 in the model number indicates 240 volt.



For U.S. and Canada field service, contact your professional installer or local Bradford White sales representative.

Sales 800-538-2931 • Fax 215-641-1670 / Technical Support 800-334-3393 • Fax 269-795-1089

Warranty 800-531-2111 • Fax 269-795-1089 / International: Telephone 215-641-9400 • Telefax 215-641-9750 / Fax on Demand 888-538-7833 / www.bradfordwhite.com

BRADFORD WHITE-CANADA INC. Sales/Technical Support 866-690-0961 / 905-238-0100 • Fax 905-238-0105 / www.bradfordwhitecanada.com

Count On Bradford White

For *Everything* Hot Water