



ASME Commercial Electric Energy Savers 6A, 12A, 20A, 30A, 40A, 50A, 80A, 120A Immersion Thermostats with Contactors

These water heaters meet or exceed the performance standards established under ASHRAE 90.1b (current edition).

Features:



Bradford White is ISO registered to the 9001- standard.

- **Thermostats**—immersion type for accurate temperature control from positive off up to 180°F.
- **Vitraglas® lined tank**—water heater tanks are protected from the corrosive effects of hot water by an exclusive ceramic porcelain-like coating. Our high silica Vitraglas® lining provides a tough interior surface for water heater tanks, which must withstand the wearing effects of high volume and high temperature hot water.
- **Factory installed Hydrojet® Sediment Reduction System**—cold inlet sediment reduction device made of stainless steel for increased durability. Helps minimize sediment build up in tank.
- **Factory installed dielectric waterway fittings**—all heaters equipped with special water heater nipples for longer heater life. No special dielectric fittings to buy.
- **Elements**—screw in style. Low watt density incoloy material helps to minimize dry fire and prevents lime build up.
- **Magnesium anode rod**—employed to provide an extra measure of corrosion prevention for longer life. (50-120 gallons has two rods)
- **Non-CFC foam insulation.**
- **Completely pre-wired**—with pressure lug terminal block eliminating need for splicing or taping of wires.
- **NSF construction available on all models.**
- **A.S.M.E. code tank construction.**
- **Temperature and pressure relief valve (shipped with unit.)**
- **Hand hole cleanout opening (20 thru 120 gallon models only).**
- **Brass drain valve.**
- **UL Listed**—All Bradford White commercial electric water heaters are listed by Underwriters Laboratories and bear the UL label. They may be installed singly or in multiples, with or without a separate storage tank. When installed with a thermostatic mixing valve they can provide 140°F. general purpose hot water and 180°F. sanitizing water simultaneously.
- **Three year limited warranty**—protects your investment in a quality glass lined heater. If the tank leaks for reasons of faulty materials, workmanship or corrosion within the warranty period, the heater will be replaced with a comparable heater of our manufacture. (Exclusive of all shipping costs.) See complete copy of the warranty included with the heater.
- **One year limited parts warranty**—These quality components are manufactured for us by industry leaders and will be replaced in the event of failure during the parts warranty period (exclusive of shipping and re-installation cost.)

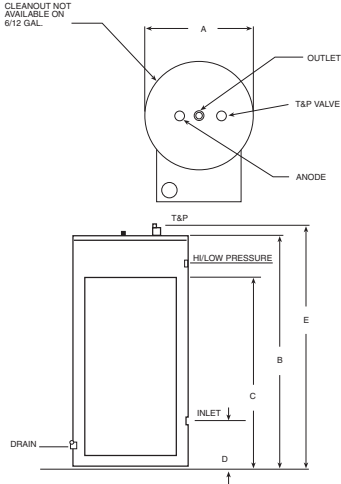
Options:

- Low Water Cut Off Switch
- Safety Door Interlock
- High & Low Pressure Limit Switches
- Alarm Horn
- Temperature & Pressure Gauge
- Time Delay Step Sequences (24 Kw & Above)
- NSF Construction

MANUFACTURED UNDER ONE OR MORE OF THE FOLLOWING U.S. PATENTS:
5,954,492; 5,761,379; 5,943,984; 5,081,696; 5,988,117; 6,142,216; 5,199,385;
6,684,821; 5,574,822; 5,372,185; 5,485,879; 5,277,171; (B1)5,341,770; 5,660,165;
5,596,952; 5,682,666; 4,904,428; 5,023,031; 5,000,893; 4,669,448; 4,829,983;
4,808,356; 5,115,767; 5,092,519; 5,052,346; 4,416,222; 4,628,184; 4,861,968;
4,672,919; Re. 34,534. OTHER U.S. AND FOREIGN PATENT APPLICATIONS
PENDING. CURRENT CANADIAN PATENTS: 1,272,914; 1,280,043; 1,289,832;
2,045,862; 2,112,515; 2,108,186; 2,107,012.



Immersion Thermostat Models

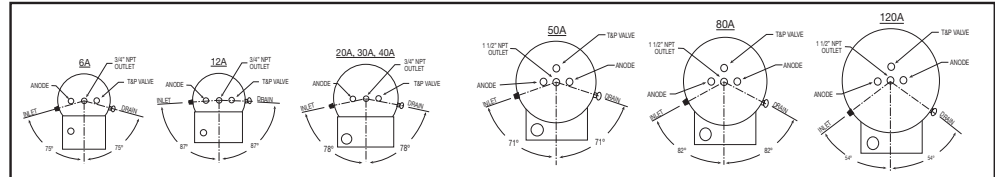


Dimensions

Model	Gallon Capacity	Max KW Input	A Jacket Diameter	B Height Top	C Ft. to Top of Control Box	D Ft. to CW Inlet	E Ft. to HW Outlet	Ht. Ft. to T&P Valve	Water Conn.	Shipping Weight
6A-KW-3	6	3	16"	17 1/4"	17"	6 1/4"	18 1/4"	18 1/16"	3/4"	83
12A-KW-3	12	9	16"	28"	28"	6 1/4"	29"	28 5/16"	3/4"	118
20A-KW-3	20	18	20"	27 1/2"	27"	6 1/4"	28 1/2"	28"	3/4"	145
30A-KW-3	30	36	20"	38"	38"	6 1/4"	39"	40 1/4"	3/4"	180
40A-KW-3	40	36	20"	48 3/4"	38"	6 1/4"	49 1/4"	50 1/2"	3/4"	220
50A-KW-3	50	81	24"	47 3/4"	46 1/2"	6	49 1/4"	50 3/8"	1 1/2"	270
80A-KW-3	80	81	26"	60 1/4"	46 1/2"	6	61 3/4"	61 7/8"	1 1/2"	335
120A-KW-3	119	81	30 1/4"	64 1/2"	50 1/4"	6	66"	66 5/8"	1 1/2"	430

150 PSI Working Pressure. 300 PSI Test Pressure.

Listed with the California Energy Commission.



Electrical Characteristics

Number of Elements (Fused Models)*

Full Load Current Amperes

KW Input	208 Volts Phase		240 Volts Phase		277 Volts Phase		380 Volts Phase		415 Volts Phase		480 Volts Phase		600 Volts Phase		208 Volts Phase		240 Volts Phase		277 Volts Phase		380 Volts Phase		415 Volts Phase		480 Volts Phase		600 Volts Phase	
	1	3	1	3	1	3	1	3	1	3	1	3	1	3	1	3	1	3	1	3	1	3	1	3	1	3	1	3
3	1	N/A	1	N/A	1	N/A	1	N/A	1	N/A	1	N/A	1	N/A	14.4	N/A	12.5	N/A	10.8	4.6	7.2	N/A	6.25	N/A	N/A	N/A	N/A	N/A
6	3	3	3	3	3	3	3	3	3	3	3	3	3	3	28.8(2)	16.6	25.0(2)	14.4	21.6(2)	9.1	14.5	8.3	12.5(2)	7.2	5.8	5.8	5.8	5.8
9	3	3	3	3	3	3	3	3	3	3	3	3	3	3	43.2	25.0	37.5	21.6	32.4	13.7	21.7	12.5	18.7	10.8	8.7	8.7	8.7	8.7
12	3	3	3	3	3	3	3	3	3	3	3	3	3	3	57.6	33.3	50.0	28.9	43.3(2)	18.2	28.9	16.7	25.0(2)	14.4	11.6	11.6	11.6	11.6
13.5	3	3	3	3	3	3	3	3	3	3	3	3	3	3	64.9	37.5	56.2	32.5	48.7	20.5	32.5	18.8	28.1	16.2	13.0	13.0	13.0	13.0
15	3	3	3	3	3	3	3	3	3	3	3	3	3	3	72.1	41.6	62.5	36.1	54.1	22.8	36.1	20.9	31.2	18.0	14.0	14.0	14.0	14.0
18	3	3	3	3	3	3	3	3	3	3	3	3	3	3	86.5	50.0	75.0	43.4	64.0	27.4	43.4	25.0	37.5	21.6	17.3	17.3	17.3	17.3
24	4	6	4	6	4	6	4	6	4	6	4	6	6	6	115.4	66.7	100.0	57.8	86.6	36.5	57.8	33.4	50.0	28.9	23.0	23.0	23.0	23.0
27	6	6	6	6	6	6	6	6	6	6	6	6	6	6	129.8	75.0	112.5	65.0	97.4	41.0	65.1	37.6	56.2	32.5	26.0	26.0	26.0	26.0
30	6	6	6	6	6	6	6	6	6	6	6	6	6	6	144.2	83.3	125.0	72.2	108.3	45.6	72.3	41.7	62.5	36.1	28.9	28.9	28.9	28.9
36	6	6	6	6	6	6	6	6	6	6	6	6	6	6	173.0	100.0	150.0	86.7	129.9	54.7	86.7	50.1	75.0	43.3	34.6	34.6	34.6	34.6
45	9	9	9	9	9	9	9	9	9	9	9	9	9	9	216.3	125.0	187.5	108.3	162.4	68.4	108.4	62.6	93.7	54.1	75.0	75.0	75.0	75.0
54	9	9	9	9	9	9	9	9	9	9	9	9	9	9	259.6	150.0	225.0	130.0	194.9	82.1	130.1	75.1	112.5	65.0	90.0	90.0	90.0	90.0
81	9	9	9	9	9	9	9	9	9	9	9	9	9	9	389.4	224.8	337.5	194.9	292.4	123.1	N/A	112.7	168.8	97.4	135.0	135.0	135.0	135.0

Units with amperage draw of 120 amps or more require factory installed internal fusing. 415 volt phase not available in the U.S.A. and Canada.

*If the number of elements on non-fused models is different, it is indicated in parentheses (), following the AMP draw.

GPH Recovery Capacities

KW Input	TEMPERATURE RISE								
	40°F	50°F	60°F	70°F	80°F	90°F	100°F	120°F	140°F
3	31	25	21	18	16	14	12	10	9
6	62	50	41	35	31	28	25	21	18
9	93	74	62	53	47	41	37	31	27
12	124	99	83	71	62	55	50	41	35
13.5	140	112	93	80	70	62	56	47	40
15	155	124	103	89	78	69	62	52	44
18	186	149	124	106	93	83	74	62	53
24	248	199	164	142	124	110	99	83	71
27	279	223	186	160	140	124	112	93	80
30	310	248	207	177	155	138	124	103	89
36	372	298	248	213	186	165	149	124	106
45	465	372	310	266	233	207	186	155	133
54	558	447	372	319	279	248	223	186	160
81	852	671	558	477	418	371	334	278	238

Thermostat settings range from 80° to 180°F. and can be adjusted to "OFF" position.

Dimensions and specifications subject to change without notice in accordance with our policy of continuous product improvement.

430-B-0904-A

Vitraglas® and Hydrojet® are registered trademarks of Bradford White® Corporation.

PRODUCTS ONLY FOR PROFESSIONALS

©2004 Bradford White Corporation. All rights reserved.

BRADFORD WHITE
CORPORATION
Ambler, PA

For U.S. and Canada field service, contact your professional installer or local Bradford White sales representative.

Sales/800-523-2931
Fax/215-641-1670

Technical Support/800-334-3393
Fax/269-795-1089

Warranty/800-531-2111
Fax/269-795-1089

International:
Telephone/215-641-9400
Telefax/215-641-9750

Fax on Demand:
888-538-7833

www.bradfordwhite.com

BRADFORD WHITE-CANADA INC.
Mississauga, ON

Sales/Technical Support
866-690-0961
905-238-0100

Fax/905-238-0105

www.bradfordwhitecanada.com

Printed in U.S.A.