

## ***Infiniti Tankless™ Mid Efficiency Residential (Non-condensing) Gas Water Heater***



RTG-199ME-N

***The Infiniti Tankless™ Non-condensing Water Heater Model features:***

- **Featuring the SRT™ Scale Reduction Technology**—Significantly reduces the incidence of scale build-up known to result in poor performance, additional maintenance, and pre-mature component or product failure.
  - **Vertical Modulating Burner Design**—Ultra low NOx burner disperses heat evenly across the entire surface area, eliminating hot spots that can cause lime accumulation and material stress known to reduce product efficiency and longevity.
  - **Dual Fan Configuration**—Assists with the even distribution of heat throughout the heat exchanger, increasing efficiency and reducing scale accumulation.
  - **Internal Turbulators**—Create significant turbulence of water as it moves through the heat exchanger, greatly reducing the occurrence of scale buildup throughout the system.
  - **Heat Exchanger**—Comprised of copper with copper waterways to insure a high thermal conductivity.
- **Built-In Digital Control**—Temperature can be adjusted on the front control panel (100-140°F). Can store up to 10 previous error codes. Multiple indicators for ease of monitoring.
- **High Temperature Kit (Optional)**—Optional high temperature kit allows for a maximum setpoint up to 184°F.
- **Cascading Kit (Optional)**—Up to 24 units can be connected together with ease.
- **Gas Connection Flexibility**—1/2", 3/4", or 1" connections permitted (refer to I&O manual for details).
- **Inlet Water Filter**—External access for easy maintenance.
- **Space Saving Installation**—Compact size for tight installations.
- **Built In Freeze Protection**—Protects water from freezing inside the appliance copper pipes. Activates automatically when the water heater is plugged in.
- **Interior and Exterior Installation Capability**—Outdoor installation requires optional outdoor kit. Recess box and pipe enclosure available.
- **Complies with the latest Ultra-Low NOx requirement (10 ng/J NOx limit).**



***12-Year Limited Residential Heat Exchanger Warranty.  
5-Year Limited Parts Warranty.***

For more information on warranty, please visit [www.bradfordwhite.com](http://www.bradfordwhite.com)

*For products installed in USA, Canada and Puerto Rico. Some states do not allow limitations on warranties. See complete copy of the warranty included with the heater.*

# Infiniti Tankless™ Gas Water Heater

## Mid Efficiency Model

NATURAL GAS AND LIQUID PROPANE GAS

Model Number	Installation	Nat. BTU/Hr. Input	LP BTU/Hr. Input	Vent Conn. in.	GPM Flow Rate at °F Temperature Rise			EF Rating Nat. and LP	Minimum Water Flow GPM	Maximum Temperature Setting
					45°F	75°F	90°F			
RTG-199ME-N	Indoor / Outdoor*	19,900-199,000	19,900-199,000	3	7.3	4.4	3.7	0.83	0.5	140°F

Model Number	Installation	Nat. kW Input	LP kW Input	Vent Conn. mm.	LPM Flow Rate at °C Temperature Rise			EF Rating Nat. and LP	Minimum Water Flow LPM	Maximum Temperature Setting
					25°C	41.7°C	50°C			
RTG-199ME-N	Indoor / Outdoor*	5.6 - 58.3	5.6 - 58.3	76	27.7	16.6	13.9	0.83	1.9	60°C

Model Number	A Height in.	B Width in.	C Depth in.	D Intake/Exhaust Center Line in.	G Hot Water Outlet in.	H Cold Water Inlet in.	I Hot Water Outlet in.	J Gas Conn. in.	K Condensate Tee in.	L Condensate Tee in.	M Gas Conn. in.	Approx. Shipping Weight lbs.
RTG-199ME-N	30 <sup>9</sup> / <sub>16</sub>	17 <sup>13</sup> / <sub>16</sub>	10 <sup>7</sup> / <sub>16</sub>	5 <sup>3</sup> / <sub>16</sub>	6 <sup>9</sup> / <sub>16</sub>	6 <sup>1</sup> / <sub>8</sub>	6 <sup>5</sup> / <sub>16</sub>	2 <sup>11</sup> / <sub>16</sub>	2 <sup>3</sup> / <sub>8</sub>	2 <sup>5</sup> / <sub>8</sub>	2 <sup>3</sup> / <sub>8</sub>	67

Model Number	A Height mm	B Width mm	C Depth mm	D Intake/Exhaust Center Line mm	G Hot Water Outlet mm	H Cold Water Inlet mm	I Hot Water Outlet mm	J Gas Conn. mm	K Condensate Tee mm	L Condensate Tee mm	M Gas Conn. mm	Approx. Shipping Weight kg.
RTG-199ME-N	776	452	265	132	167	156	160	68	60	67	60	30.5

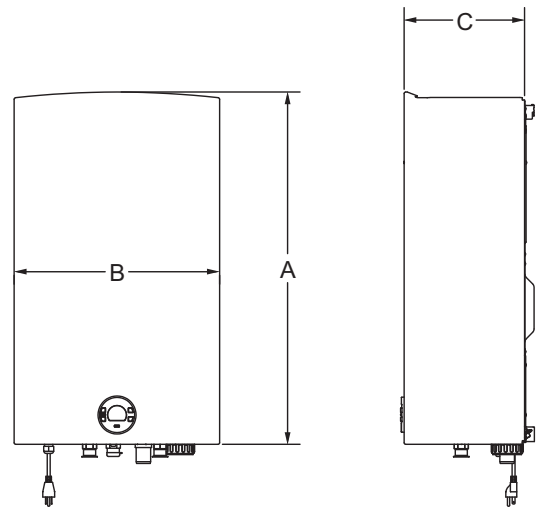
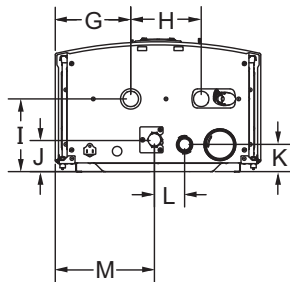
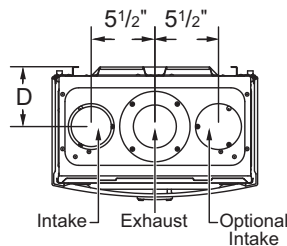
For Propane (LP) Models change suffix "N" to "X".

Requires an electrical power supply from a 120VAC 60Hz properly rated receptacle and must be properly grounded. Power supply cord provided.

\*Outdoor installation requires optional outdoor kit

Venting	Maximum allowable exhaust vent length	Maximum allowable intake vent length	Combined maximum allowable vent	Elbow Equivalency	
				90°	45°
3"	28.5 ft.	28.5 ft.	57.0 ft.	5.0 ft.	2.5 ft.
4"	61.25 ft.	61.25 ft.	122.5 ft.	5.0 ft.	2.5 ft.

Maximum number of 90° elbows	3" Venting	4" Venting
Maximum number of elbows	5	7



### General

All potable water connections are 3/4" NPT (19mm). Gas connections are 3/4" (19mm). Recommended gas pipe size is 3/4", for other gas pipe sizes please consult installation and operation manual.

**Dimensions and specifications subject to change without notice in accordance with our policy of continuous product improvement.**

Toxic chemicals, such as those used for boiler treatment, shall NEVER be introduced into the potable side of this system. The potable side may NEVER be connected to any existing heating system or component(s) previously used with a non-potable water heating appliance.



Ambler, PA

For U.S. and Canada field service, contact your professional installer or local Bradford White sales representative.

Sales 800-523-2931 • Fax 215-641-1670 / Technical Support 800-334-3393 • Fax 269-795-1089 • Warranty 800-531-2111 • Fax 269-795-1089

International: Telephone 215-641-9400 • Telefax 215-641-9750 / [www.bradfordwhite.com](http://www.bradfordwhite.com)

**BRADFORD WHITE-CANADA** INC. Sales / Technical Support 866-690-0961 / 905-238-0100 • Fax 905-238-0105 / [www.bradfordwhite.com](http://www.bradfordwhite.com)

**Built to be the Best™**

©2015, Bradford White Corporation. All rights reserved.