



REPLACEMENT PARTS LIST

High Efficiency eF Series®

Residential & Light Duty Commercial Gas

Power Vent Models

90%+ Thermal Efficiency



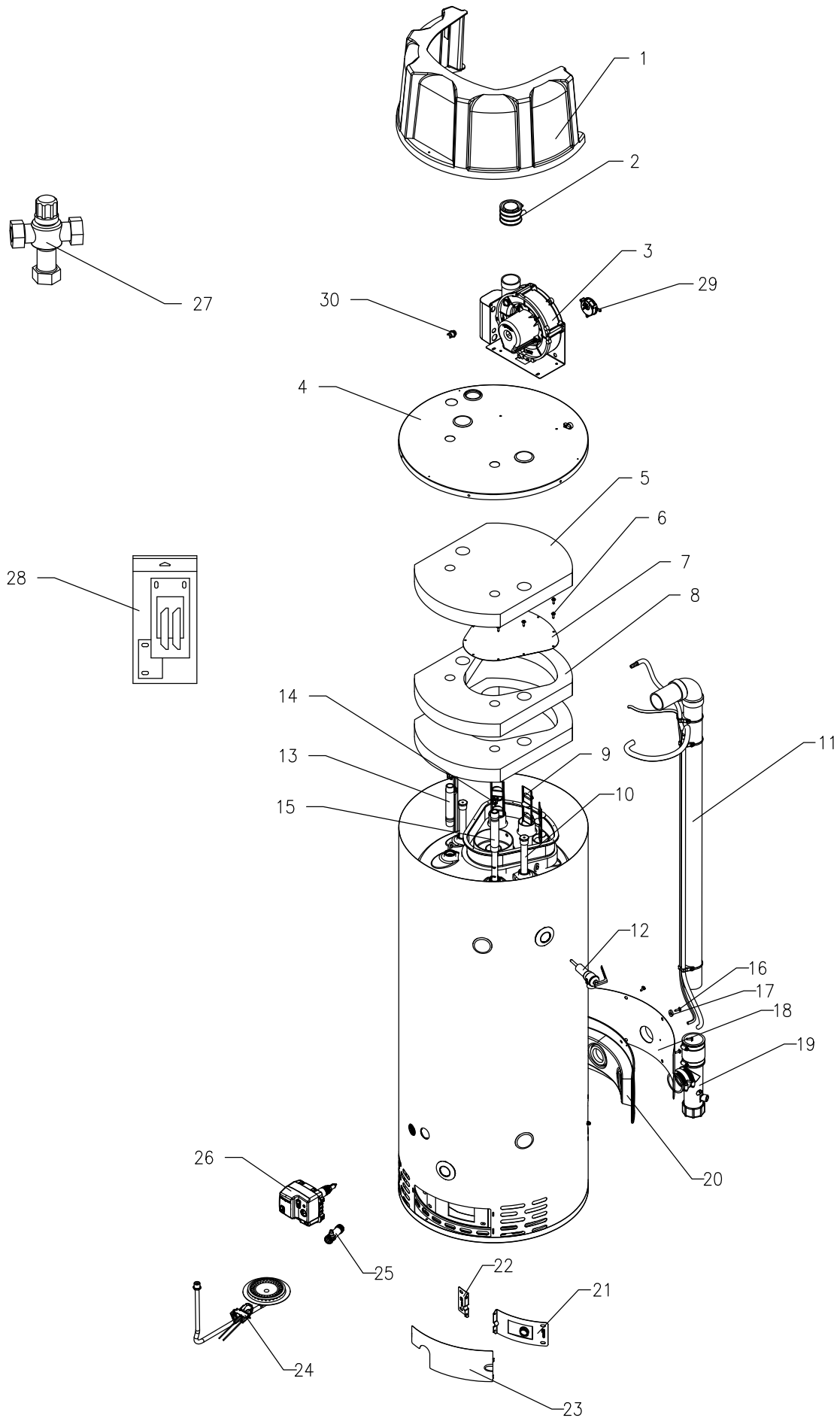
(L,R)C2PV50*(N,X)
(*) Denotes Warranty Years

Includes Hydrojet®
Total Performance System

Effective: January, 2016
ECO 7926

**NOTE: BOTH MODEL AND SERIAL
NUMBERS ARE REQUIRED FOR
ORDERING REPLACEMENT PARTS**

Dimensions and specifications
subject to change without notice.



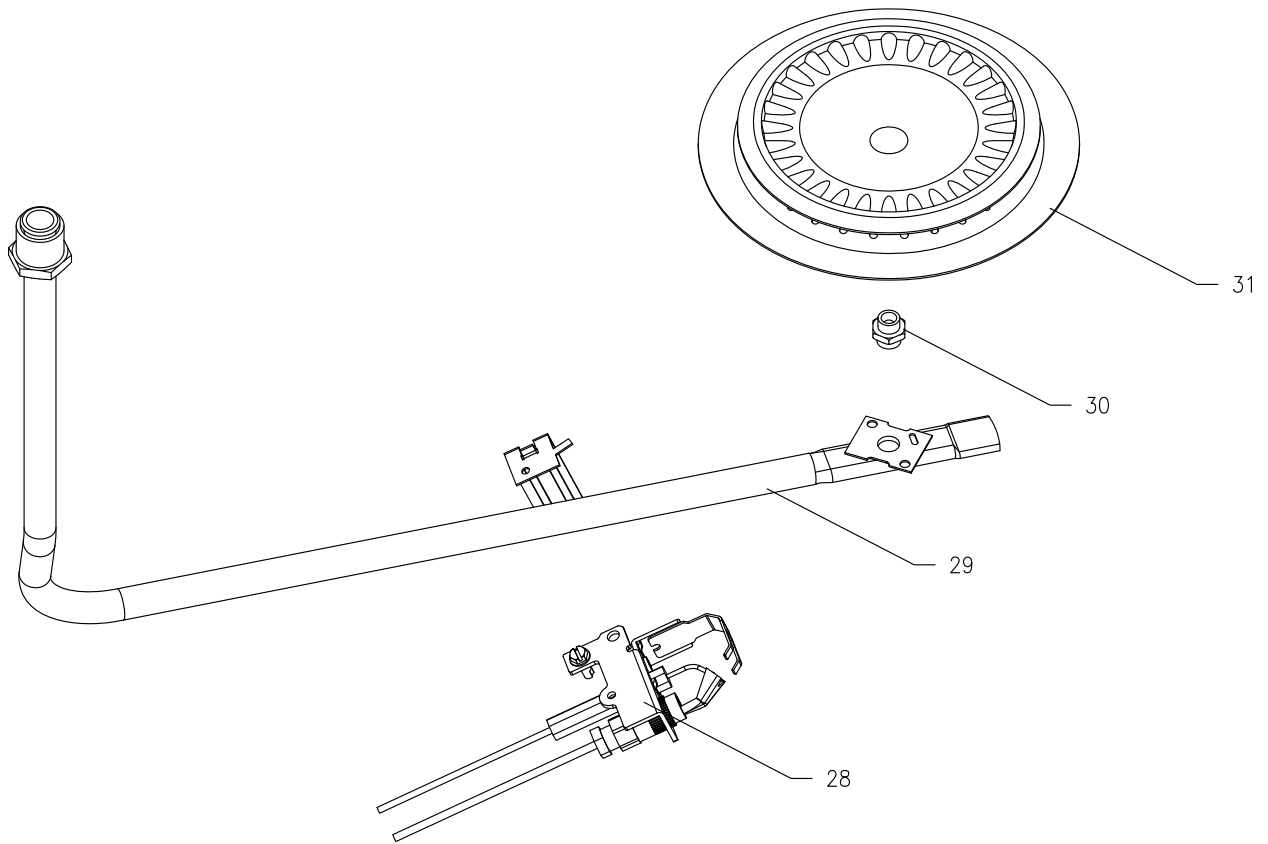
Item	Description	Model	Model	Model	Model
		RC2PV50H6N	LC2PV50H763N	RC2PV50H6X	LC2PV50H763X
1	Surround	239-50864-00	239-50864-00	239-50864-00	239-50864-00
2	2" Exhaust Adapter	239-50874-00	239-50874-00	239-50874-00	239-50874-00
3	Blower	239-50844-00	239-50844-00	239-50844-00	239-50844-00
	Blower (Hi-Alt)	239-51741-00	239-51741-00	239-51741-00	239-51741-00
4	Jacket Head	239-50847-00	239-50847-00	239-50847-00	239-50847-00
5	Jacket Head Insulation	226-50839-00	226-50839-00	226-50839-00	226-50839-00
6	Screw (10 Req'd)	239-32761-00	239-32761-00	239-32761-00	239-32761-00
7	Collector Cover	239-50851-00	239-50851-00	239-50851-00	239-50851-00
8	Collector Insulation (2 Req'd)	226-50841-00	226-50841-00	226-50841-00	226-50841-00
9	Flue Baffle	239-50826-00	239-50826-00	239-50826-00	239-50826-00
10	Hex Head Anode (A420 Aluminum) (2 Req'd) #	224-49559-04	224-49559-04	224-49559-04	224-49559-04
11	Vent Pipe Assembly	239-50846-01	239-50846-01	239-50846-01	239-50846-01
12	T&P Relief Valve	230-40594-02	230-40594-02	230-40594-02	230-40594-02
13	Hot Water Outlet	229-32762-00	229-32762-00	229-32762-00	229-32762-00
14	Heat Trap Insert (2 Req'd)	239-45167-00	239-45167-00	239-45167-00	239-45167-00
15	Cold Water Inlet Polysulfone	229-45092-00	229-45092-00	229-45092-00	229-45092-00
16	Screw (8 Req'd)	239-51224-00	239-51224-00	239-51224-00	239-51224-00
17	Washer (8 Req'd)	239-51689-00	239-51689-00	239-51689-00	239-51689-00
18	Exhaust Cover	239-51632-00	239-51632-00	239-51632-00	239-51632-00
19	Condensate Tee	239-51529-00	239-51529-00	239-51529-00	239-51529-00
20	Exhaust Gasket	239-50854-00	239-50854-00	239-50854-00	239-50854-00
21	Right Side Inner Door*	239-45642-20	239-45642-20	239-45642-20	239-45642-20
22	Left Side Inner Door*	239-43968-20	239-43968-20	239-43968-20	239-43968-20
23	Outer Door	243-43962-00	243-43962-00	243-43962-00	243-43962-00
24	Burner Assembly**	265-47784-03-21	265-47784-03-21	265-47376-02-40	265-47376-02-40
25	Brass Drain Valve	265-42351-02	265-42351-02	265-42351-02	265-42351-02
26	Gas Valve	239-48795-02	239-48795-02	239-48795-02	239-48795-02
27	ASSE Approved Mixing Valve (Optional) 28	239-43740-01	239-43740-01	239-43740-01	239-43740-01
Inner Door Gasket Kit		265-51742-00	265-51742-00	265-51742-00	265-51742-00
29	Pressure Switch (-1.70" W.C. ±0.06)	239-51233-01	239-51233-01	239-51233-01	239-51233-01
	Pressure Switch (Hi-Alt) (-1.30" W.C. ±0.06)	239-51233-02	239-51233-02	239-51233-02	239-51233-02
30	Blower Temperature Switch	239-48752-00	239-48752-00	239-48752-00	239-48752-00

*Inner door gasket kit recommended

**Ordering a complete burner assembly may increase delivery time.

Please order the specific component required for the quickest delivery.

Anode may need to be cut to length



Item	Description	Model	Model	Model	Model
		RC2PV50H6N	LC2PV50H763N	RC2PV50H6X	LC2PV50H763X
28	Pilot	233-45653-02	233-45653-02	233-45653-04	233-45653-04
29	Feedline	233-47374-03	233-47374-03	233-47672-03	233-47672-03
30	Orifice	243-41034-21	243-41034-21	234-47064-40	234-47064-40
31	Burner	228-42506-00	228-42506-00	228-47000-00	228-47000-00



BRADFORD WHITE®

W A T E R H E A T E R S

Ambler, PA

For U.S. and Canada field service,
contact your professional installer or
local Bradford White sales representative.

Sales/800-523-2931

Fax/215-641-1670

Parts Fax/215-641-2180

Technical Support/800-334-3393

Fax/269-795-1089

Warranty/800-531-2111

Fax/269-795-1089

International:

Telephone/215-641-9400

Telefax/215-641-9750



BRADFORD WHITE-CANADA® INC.

Mississauga, ON

Sales/866-690-0961

905-238-0100

Fax/905-238-0105

Technical Support/800-334-3393

Email

parts@bradfordwhite.com

techserv@bradfordwhite.com

www.bradfordwhite.com