



**BRADFORD WHITE**<sup>®</sup>  
W A T E R   H E A T E R S

**RESIDENTIAL REPLACEMENT PARTS LIST**  
**Single-Wall Indirect (SW) Models**

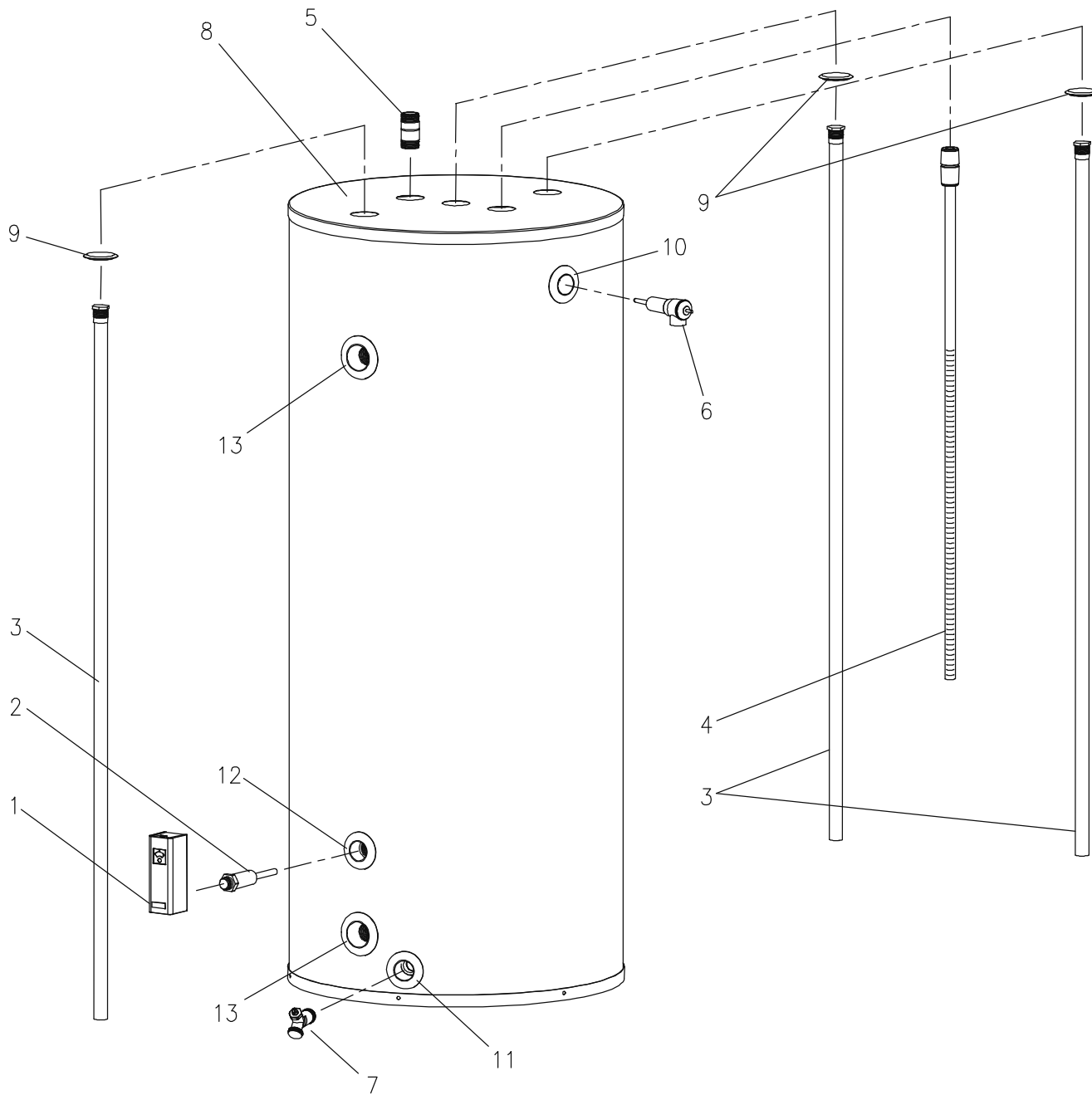


Includes Hydrojet<sup>®</sup>  
Total Performance System

***Effective: March, 2012***  
***ECO 7496***

**NOTE: BOTH MODEL AND SERIAL  
NUMBERS ARE REQUIRED FOR  
ORDERING REPLACEMENT PARTS**

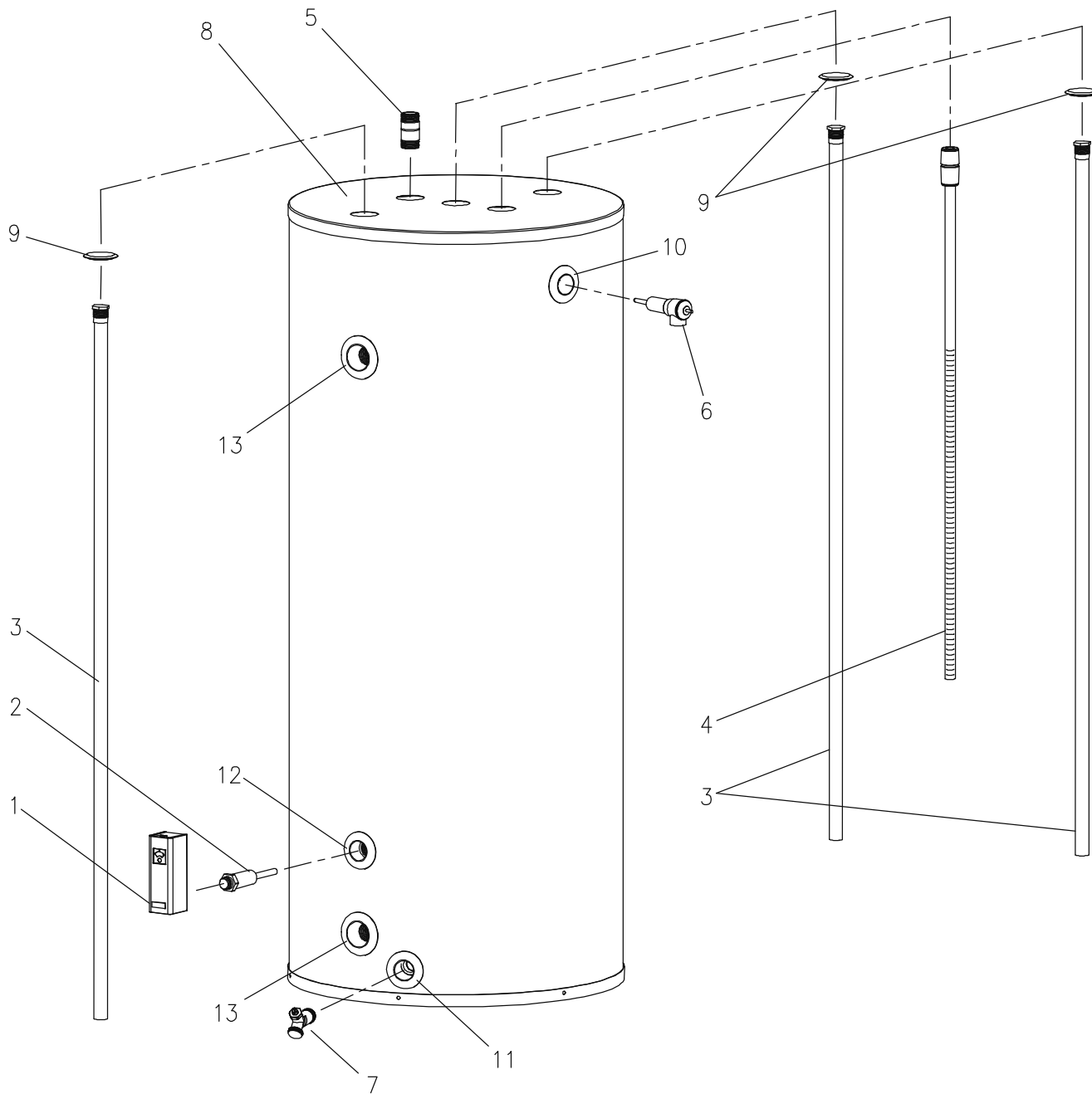
Dimensions and specifications  
subject to change without notice.



Item	Description	Model SW-2-30-L	Model SW-2-40-L	Model SW-2-40R-L	Model SW-2-50-L	Model SW-2-50R-L	Model SW-2-65-L
1	Aquastat	243-44416-00	243-44416-00	243-44416-00	243-44416-00	243-44416-00	243-44416-00
2	Aquastat Well	233-43315-00	233-43315-00	233-43315-00	233-43315-00	233-43315-00	233-43315-00
3	Anode-Hex Plug type (aluminum)	224-47783-05	224-47783-05	224-47783-05	224-47783-05	224-47783-07	224-47783-06
	Anode-Hex Plug type (A420 Aluminum)#	224-49559-04	224-49559-04	224-49559-04	224-49559-04	224-49559-04	224-49559-04
4	Cold Water Inlet Dip Tube (Polysulfone)	229-39628-02*	229-39628-02*	229-39628-04	229-39628-02*	229-39628-06	229-39628-10*
5	Hot Water Outlet Nipple	229-43386-01*	229-43386-01*	229-43386-01	229-43386-01*	229-43386-01	229-43386-01*
6	T&P Relief Valve	230-40594-02	230-40594-02	230-40594-02	230-40594-02	230-40594-02	230-40594-02
7	Brass Drain Valve	227-42351-02	227-42351-02	227-42351-02	227-42351-02	227-42351-02	227-42351-02
8	Jacket Head	243-45259-01	243-44974-01	243-45259-01	243-44974-02	243-45259-01	243-45259-01
9	Hole Closure	239-31547-02	239-31547-02	239-31547-02	239-31547-02	239-31547-02	239-31547-02
10	Escutcheon	239-41337-00	239-41337-00	239-41337-00	239-41337-00	239-41337-00	239-41337-00
11	Escutcheon	239-41337-00	239-41337-00	239-41337-00	239-41337-00	239-41337-00	239-41337-00
12	Escutcheon	239-41337-00	239-41337-00	239-41337-00	239-41337-00	239-41337-00	239-41337-00
13	Escutcheon	239-43303-00	239-43303-00	239-43303-00	239-43303-00	239-43303-00	239-43303-00

\* Nipple extender 229-19100-00 may be required for earlier models, please provide serial number.

# A420 Anode may need to be cut to length



Item	Description	Model SW-2-80-L	Model SW-2-120-L	Model SW-65C-5	Model SW-80C-5	Model SW-120C-5
1	Aquastat	243-44416-00	243-44416-00	243-44416-00	243-44416-00	243-44416-00
2	Aquastat Well	233-43315-00	233-43315-00	233-43315-00	233-43315-00	233-43315-00
3	Anode-Hex Plug type (aluminum)	224-47783-06	224-47783-06	224-47783-06	224-47783-06	224-47783-06
	Anode-Hex Plug type (A420 Aluminum)#	224-49559-04	224-49559-04	224-49559-04	224-49559-04	224-49559-04
4	Cold Water Inlet Dip Tube (Polysulfone)	229-39628-10*	229-43632-04	229-43632-01	229-43632-01	229-43632-04
5	Hot Water Outlet Nipple	229-43386-01*	229-43386-03	229-43386-02	229-43386-02	229-43386-03
6	T&P Relief Valve	230-40594-02	230-40594-02	230-33630-04	230-33630-04	230-33630-04
7	Brass Drain Valve	227-42351-02	227-42351-02	227-42351-02	227-42351-02	227-42351-02
8	Jacket Head	243-44974-01	243-43322-01	243-45259-02	243-43321-02	243-43322-01
9	Hole Closure	239-31547-02	239-31547-02	239-31547-02	239-31547-02	239-31547-02
10	Escutcheon	239-41337-00	239-41337-00	239-81470-02	239-81470-02	239-81470-02
11	Escutcheon	239-41337-00	239-41337-00	239-41337-00	239-41337-00	239-41337-00
12	Escutcheon	239-41337-00	239-41337-00	239-41414-00	239-41414-00	239-41414-00
13	Escutcheon	239-43303-00	239-43303-00	239-43303-00	239-43303-00	239-43303-00

\* Nipple extender 229-19100-00 may be required for earlier models, please provide serial number.

# A420 Anode may need to be cut to length



# **BRADFORD WHITE®**

W A T E R H E A T E R S

Ambler, PA

For U.S. and Canada field service,  
contact your professional installer or  
local Bradford White sales representative.

**Sales/800-523-2931**  
**Fax/215-641-1670**  
**Parts Fax/215-641-2180**

**Technical Support/800-334-3393**  
**Fax/269-795-1089**

**Warranty/800-531-2111**  
**Fax/269-795-1089**

**International:**  
**Telephone/215-641-9400**  
**Telefax/215-641-9750**



# **BRADFORD WHITE-CANADA® INC.**

Mississauga, ON

**Sales/866-690-0961**  
**905-238-0100**

**Fax/905-238-0105**

**Technical Support/800-334-3393**

**Email**

**parts@bradfordwhite.com**  
**techserv@bradfordwhite.com**

**www.bradfordwhite.com**