



## RESIDENTIAL AND LIGHT COMMERCIAL GAS REPLACEMENT PARTS LIST

### Non-Defender Energy Saver M(I,1,2)(XR)75 Gallon Models

### Light Duty Energy Saver (Serial # FD11847877 and after) Models

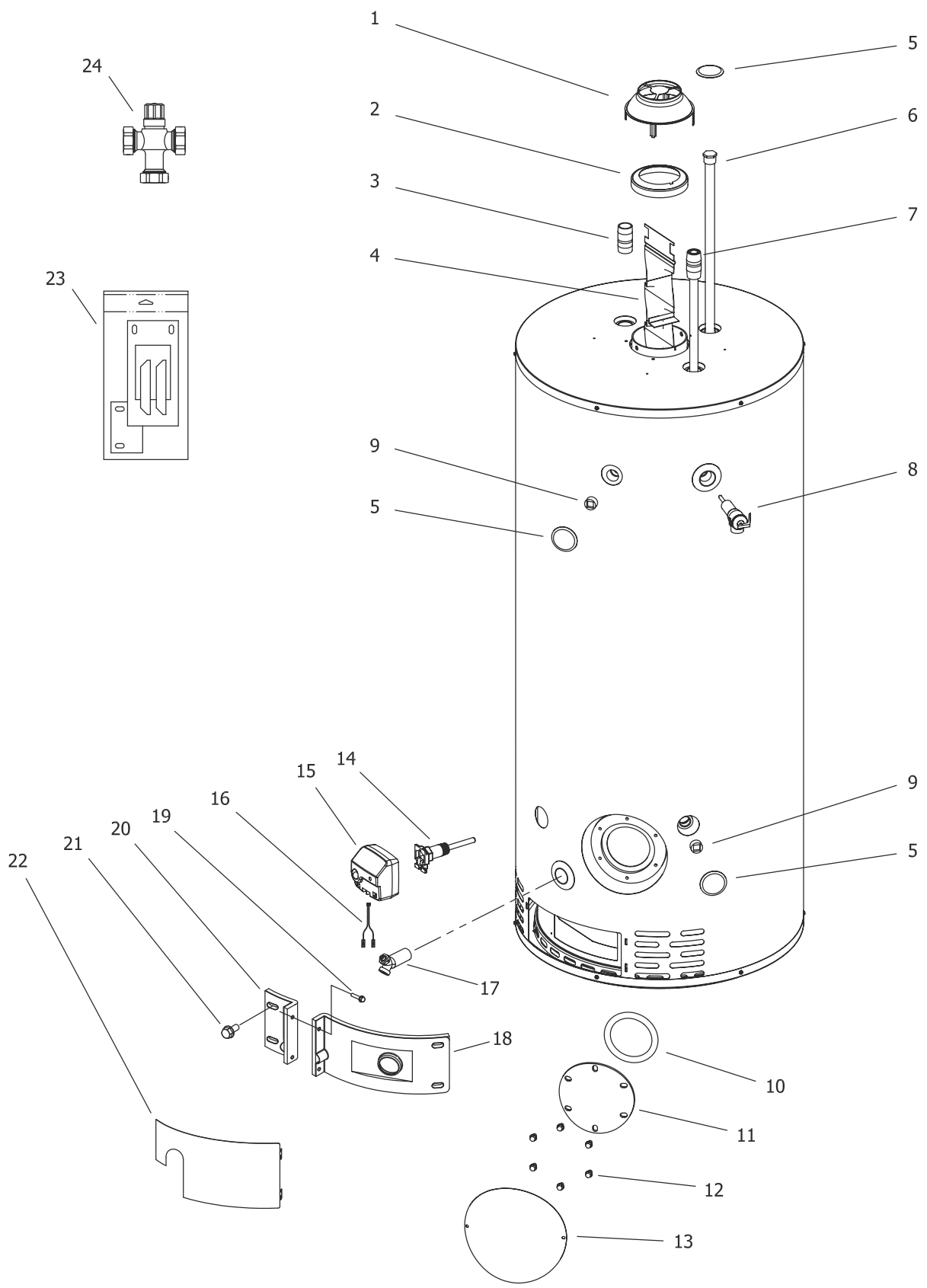


Includes Hydrojet®  
Total Performance System

**Effective: April, 2012**  
**ECO 7496**

**NOTE: BOTH MODEL AND SERIAL  
NUMBERS ARE REQUIRED FOR  
ORDERING REPLACEMENT PARTS**

Dimensions and specifications  
subject to change without notice.



Item	Description	Model	Model	Model
		75T80(B,S)*(N,X)	M2XR75S*(BN,SX)	MI75S*(BN,SX)
1	Draft Diverter	239-12950-00	239-12950-00	239-12950-00
2	Flue Reducer	243-36920-00	243-36920-00	243-36920-00
3	Hot Water Outlet	229-32762-18	229-32762-18	229-32762-18
4	Flue Baffle	243-47379-00	243-47379-00	243-47379-00
5	Hole Closure	239-31547-02	239-31547-02	239-31547-02
6	Hex Head Anode Magnesium	224-47782-07	224-47782-07	224-47782-07
	Hex Head Anode Aluminum (Optional)	224-38508-01	224-38508-01	224-38508-01
	Hex Head Anode (A420 Aluminum) (Optional)#	224-46559-04	224-46559-04	224-49559-04
7	Cold Water Inlet Diptube Polypropylene	229-47056-01	229-47056-01	229-47056-01
	Cold Water Inlet Diptube Polysulfone (NC Code)	229-47040-01	229-47040-01	229-47040-01
8	T&P Relief Valve	230-40594-03	230-40594-03	230-40594-01
9	3/4" NPT Plug	239-11638-00	239-11638-00	239-11638-00
10	Cleanout O-Ring Gasket	205-18427-00	---	---
11	Cleanout Cover	205-18428-00	---	---
12	Cleanout Cover Screw (Qty. 6)	239-82166-00	---	---
13	Cleanout Access Cover	243-20299-00	---	---
14	Thermowell	233-45651-02	233-45651-02	233-45651-01
15	ICON Gas Control Direct Replacement Natural Gas	239-48275-07	239-48275-05	239-48275-01
	ICON Gas Control Direct Replacement LP Gas	239-48275-08	239-48275-06	239-48275-02
16	Intermediate Harness	239-46995-00	239-46995-00	239-46995-00
17	Brass Drain Valve	265-42351-02	265-42351-02	265-42351-01
18	Right Side Inner Door (with Gasket)	239-47504-22	239-47504-22	239-47504-22
19	Screw-#8-18 x 3/4 HWH	239-44195-00	239-44195-00	239-44195-00
20	Left Side Inner Door (with Gasket)	239-43968-20	239-43968-20	239-43968-20
21	Screw-#10-12 x 3/4 HWH	239-44113-00	239-44113-00	239-44113-00
22	Outer Door	243-43962-00	243-43962-00	243-43962-00
23	Kit-Inner Door Gasket	239-47792-00	239-47792-00	239-47792-00
24	ASSE Approved Mixing Device (optional)	239-43740-01	239-43740-01	239-43740-01

\*All warranties

\*\*Ordering a complete burner assy may increase delivery time.

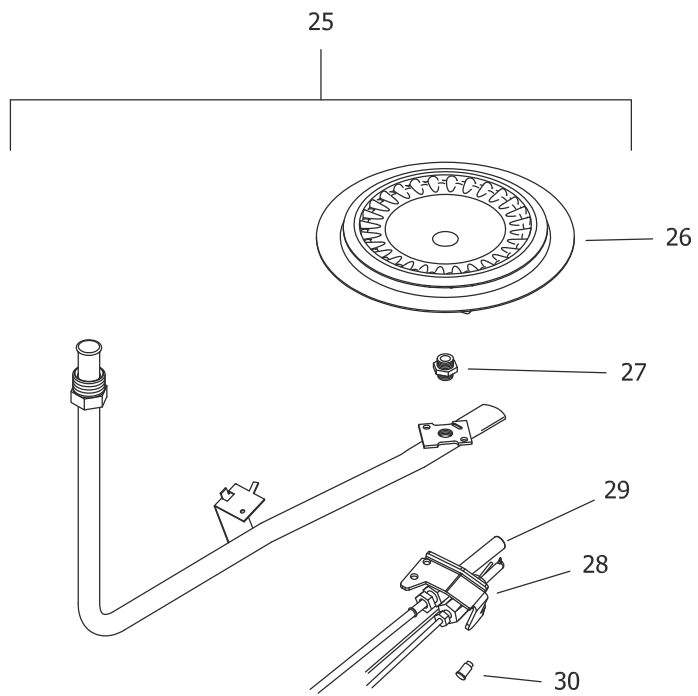
Please order the specific component req'd for the quickest delivery

▲ Inner door gasket kit recommended.

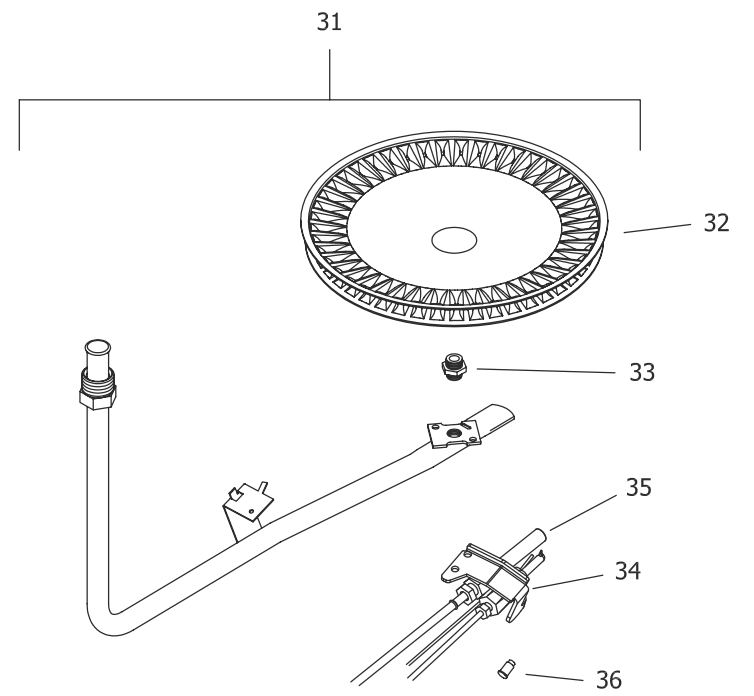
# A420 Anode may need to be cut to length

† Serial # prior to FM12732764.

‡ Serial # after FM12732764.



NATURAL GAS (BN) BURNER ASSEMBLY



LP GAS (SX) BURNER ASSEMBLY

Item	Description	Model 75T80(B,S)*(N,X)	Model M2XR75S*(BN,SX)	Model MI75S*(BN,SX)
<b>Natural Gas BN Burner Assembly</b>				
25	Nat. Gas Burner Assembly Complete** †	265-47427-02-22	265-47427-02-22	265-47427-01-22
	Nat. Gas Burner Assembly Complete** ‡	265-48110-05-22	265-48110-05-22	265-48110-04-22
26	Nat. Gas Burner	228-47000-00	228-47000-00	228-47000-00
27	Nat. Gas Main Burner Orifice (0ft to 2000ft)	234-41034-22	234-41034-22	234-41034-22
	Nat. Gas High Altitude (2001ft to 5000ft)	234-41034-26	234-41034-26	234-41034-26
	Nat. Gas High Altitude (5001ft to 8000ft)	234-41034-26	234-41034-26	234-41034-26
	Nat. Gas High Altitude (8001ft & above)	234-41034-30	234-41034-30	234-41034-30
28	Nat. Gas Pilot Assembly Kit †	239-47492-01	239-47492-01	239-47492-01
	Nat. Gas Pilot Assembly ‡ ▲	233-48077-03	233-48077-03	233-48077-03
29	Kit-Thermopile	239-47446-00	239-47446-00	239-47446-00
30	Nat. Gas Pilot Orifice (Honeywell)	234-47098-01	234-47098-01	234-47098-01
<b>LP Gas SX Burner Assembly</b>				
31	LP Gas Burner Assembly Complete** †	265-47428-02-38	265-47428-02-38	265-47428-01-38
	LP Gas Burner Assembly Complete** ‡	265-48254-02-38	265-48254-02-38	265-48254-01-38
32	LP Gas SX Burner	228-46938-00	228-46938-00	228-46938-00
33	LP Gas Main Burner Orifice (0ft to 2000ft)	234-47064-38	234-47064-38	234-47064-38
	LP Gas High Altitude (2001ft to 5000ft)	234-47064-42	234-47064-42	234-47064-42
	LP Gas High Altitude (5001ft to 8000ft)	234-47064-43	234-47064-43	234-47064-43
	LP Gas High Altitude (8001ft & above)	234-47064-43	234-47064-43	234-47064-43
34	LP Gas Pilot Assembly Kit †	239-47492-02	239-47492-02	239-47492-02
	LP Gas Pilot Assembly ‡ ▲	233-48078-03	233-48078-03	233-48078-03
35	Kit-Thermopile	239-47446-00	239-47446-00	239-47446-00
36	LP Gas Pilot Orifice	234-47098-02	234-47098-02	234-47098-02
-	Kit-LP to NAT conversion (0ft to 2000 ft) †	265-47452-12	265-47452-16	265-47452-11
-	Kit-LP to NAT conversion (2000ft to 5000ft) †	265-47452-14	265-47452-15	265-47452-13
-	Kit-LP to NAT conversion (0ft to 2000ft) ‡	265-47452-25	265-47452-23	265-47452-21
-	Kit-LP to NAT conversion (2000ft to 5000ft) ‡	265-47452-26	265-47452-24	265-47452-22

\*All warranties

\*\*Ordering a complete burner assy may increase delivery time.

Please order the specific component req'd for the quickest delivery

▲ Inner door gasket kit recommended.

† Serial # prior to FM12732764.

‡ Serial # after FM12732764.



# **BRADFORD WHITE<sup>®</sup>**

W A T E R H E A T E R S

Ambler, PA

For U.S. and Canada field service,  
contact your professional installer or  
local Bradford White sales representative.

**Sales/800-523-2931**  
**Fax/215-641-1670**  
**Parts Fax/215-641-2180**

**Technical Support/800-334-3393**  
**Fax/269-795-1089**

**Warranty/800-531-2111**  
**Fax/269-795-1089**

**International:**  
**Telephone/215-641-9400**  
**Telefax/215-641-9750**



# **BRADFORD WHITE-CANADA<sup>®</sup> INC.**

Mississauga, ON

**Sales/866-690-0961**  
**905-238-0100**

**Fax/905-238-0105**

**Technical Support/800-334-3393**

**Email**

**parts@bradfordwhite.com**  
**techserv@bradfordwhite.com**

**www.bradfordwhite.com**