


BRADFORD WHITE[®]
W A T E R H E A T E R S

RESIDENTIAL REPLACEMENT PARTS LIST
UTW ECO DEFENDER
U (1,2) TW & UTW Models



U1TW40S*FRN
U1TW50S*FRN
U1TW60S*FRN
U2TW50T*FRN
U2TW65T*FRN
UTW450S60FR*N
UTW465S60FR*N



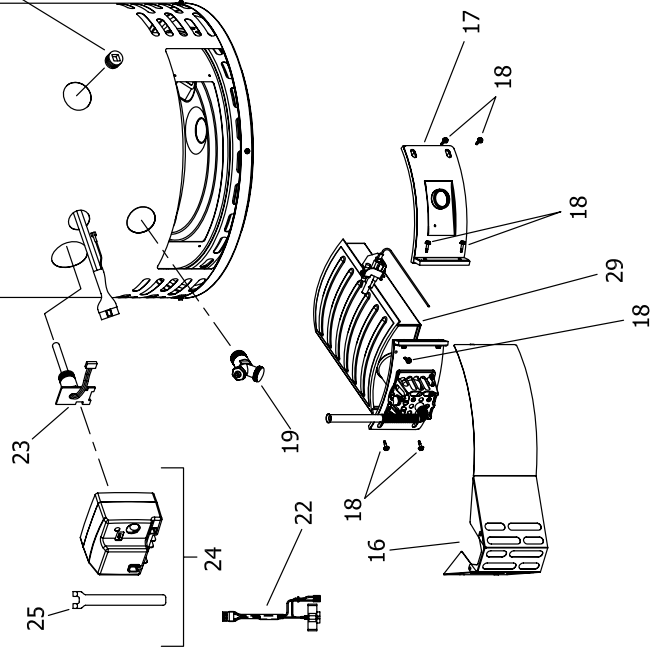
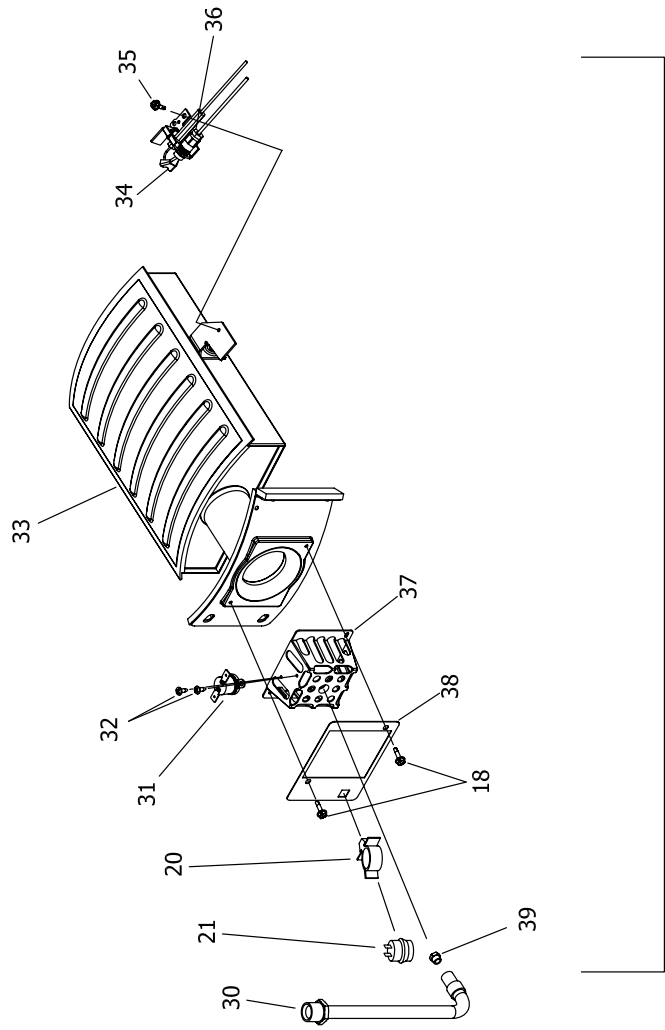
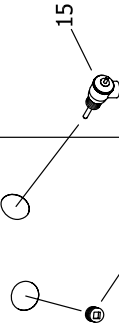
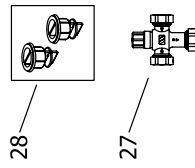
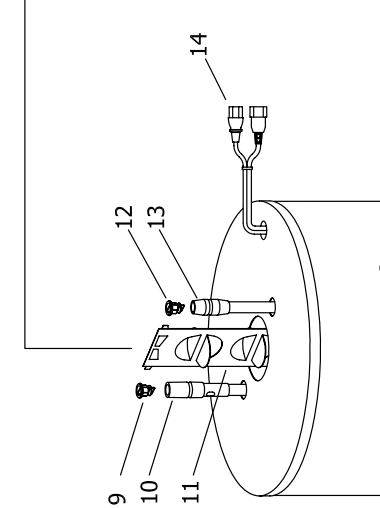
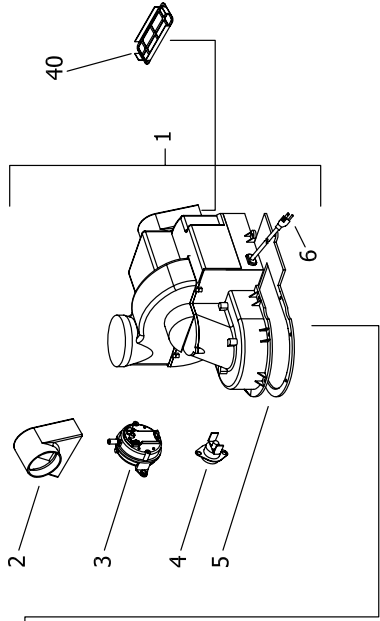
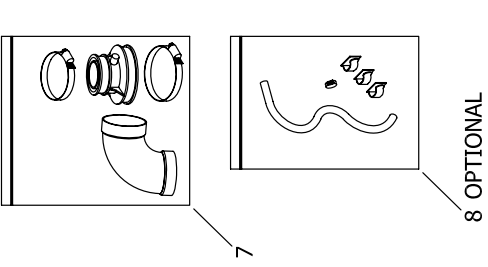
Includes Hydrojet[®]
Total Performance System

Effective: January, 2010
ECO 7486

**NOTE: BOTH MODEL AND SERIAL
NUMBERS ARE REQUIRED FOR
ORDERING REPLACEMENT PARTS**

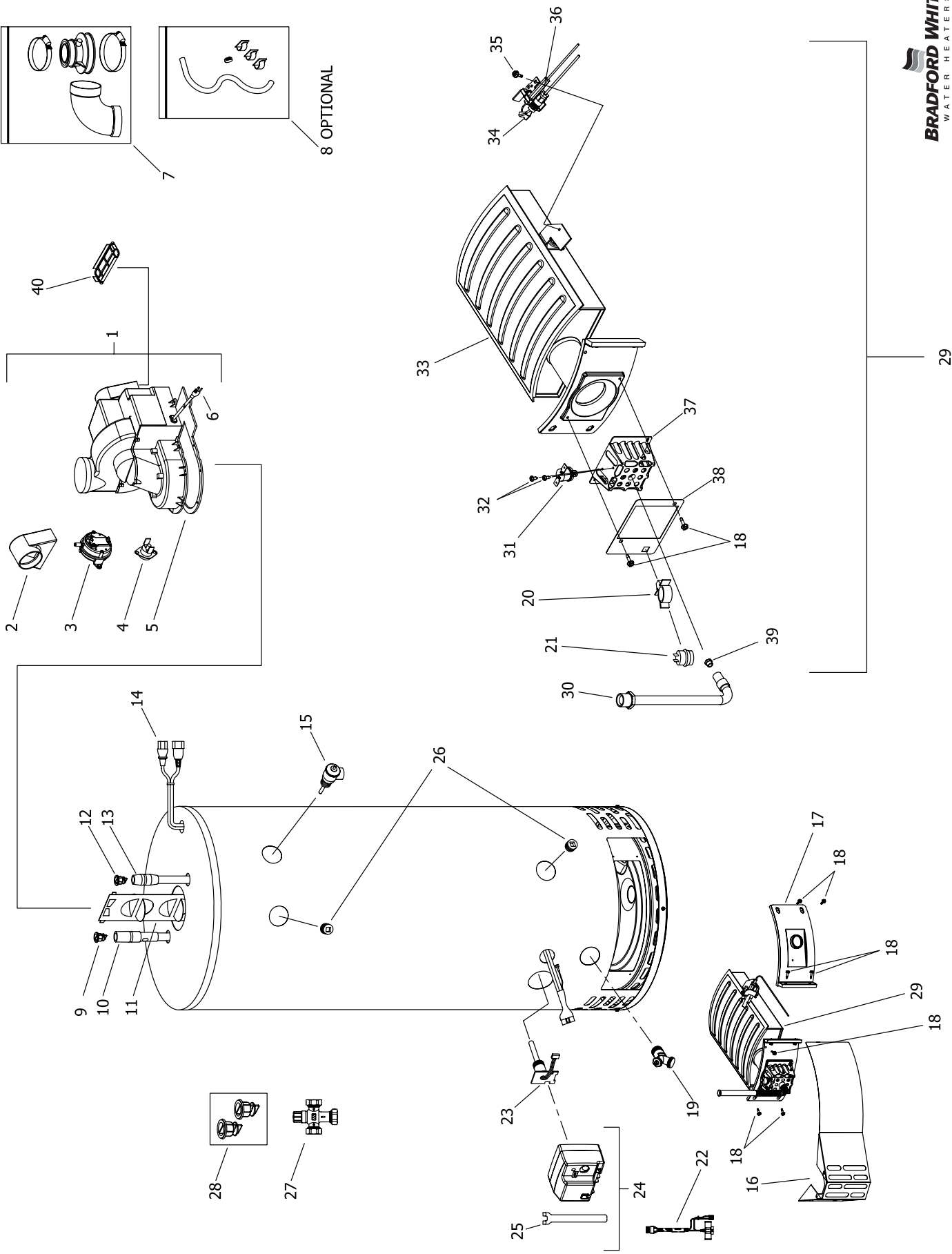
Dimensions and specifications
subject to change without notice.

(U-1-TW-40S6FRN Shown)



Item Description	Model	Model	Model	Model	Model	Model	Model
	U1TW40S*FRN	U1TW50S*FRN	U1TW60T*FRN	U2TW50T*FRN	U2TW65T*FRN	U2TW65T*FRN	UTW450S60FR*N
1 Blower Complete	265-45584-00	265-45584-00	265-45584-00	265-45583-00	239-45583-00	239-45583-00	265-45583-00
Blower Complete High Altitude	243-45987-00	243-45987-00	243-45987-00	243-45986-00	243-45986-00	243-45986-00	243-45986-00
2 Air Mixing Inlet	239-45868-00	239-45868-00	239-45868-00	239-45868-00	239-45868-00	239-45868-00	239-45868-00
3 Pressure Switch	239-45867-01	239-45867-01	239-45867-01	239-45867-02	239-45867-02	239-45867-02	239-45867-02
Pressure Switch High Altitude	239-45867-03	239-45867-03	239-45867-03	239-45867-04	239-45867-04	239-45867-04	239-45867-04
4 Blower Temperature Switch	239-45865-00	239-45865-00	239-45865-00	239-45865-00	239-45865-00	239-45865-00	239-45865-00
5 Blower Gasket	239-45866-00	239-45866-00	239-45866-00	239-45866-00	239-45866-00	239-45866-00	239-45866-00
6 Blower Power Cord	239-45990-00	239-45990-00	239-45990-00	239-45990-00	239-45990-00	239-45990-00	239-45990-00
7 2" Exhaust Adaptor w/Vent Terminal	239-46263-00	239-46263-00	239-46263-00	---	---	---	---
3" Exhaust Adaptor w/Vent Terminal	---	---	---	239-46264-00	239-46264-00	239-46264-00	239-46264-00
8 Condensate Hose Kit (Optional)	239-45875-00	239-45875-00	239-45875-00	239-45875-00	239-45875-00	239-45875-00	239-45875-00
9 Heat Trap Insert (Outlet)	239-45167-00	239-45167-00	239-45167-00	239-45167-00	239-45167-00	239-45167-00	239-45167-00
10 Hot Water Outlet Anode Magnesium?	224-47776-09	224-47776-10	224-47776-12	224-47776-12	224-47776-12	224-47776-08	224-47776-12
Hot Water Outlet Aluminum? (Optional)	224-32999-22	224-32999-22	224-32999-21	224-32999-21	224-32999-21	224-32999-06	224-32999-21
Hot Water Outlet A420 Aluminum? (Optional)	224-45147-04	224-45147-01	224-45147-01	224-45147-01	224-45147-01	224-45147-01	224-45147-01
11 Flue Baffle	243-45372-00	243-45372-00	243-46233-00	239-45373-00	239-45373-00	239-45373-00	239-45373-00
12 Heat Trap Insert (Inlet)	239-45073-00	239-45073-00	239-45073-00	239-45073-00	239-45073-00	239-45073-00	239-45073-00
13 Cold Water Inlet Dip Tube Polypropylene??	229-39625-20	229-39625-20	229-39625-14	229-45398-01	229-45398-02	229-45398-02	229-45398-01
Cold Water Inlet Polysulfone (NC Code)??	229-39628-20	229-39628-20	229-39628-14	229-45092-01	229-45092-03	229-45092-03	229-45092-01
14 Safety Circuit Wire Harness	239-45617-01	239-45617-01	239-45617-02	239-45617-02	239-45617-02	239-45617-02	239-45617-02
15 T&P Relief Valve	230-32920-01	230-32920-01	230-32920-01	230-40594-02	230-40594-02	230-40594-02	230-40594-02
16 Outer Door	239-46209-00	239-46209-00	239-46209-00	239-46209-00	239-46209-00	239-46209-00	239-46209-00
17 Right Side Inner Door Complete	239-48216-18	239-48216-20	239-48216-20	239-48216-18	239-48216-20	239-48216-20	239-48216-18
18 Screw-#10-12 x 3/4 HWH	239-44113-00	239-44113-00	239-44113-00	239-44113-00	239-44113-00	239-44113-00	239-44113-00
19 Brass Drain Valve	265-42351-02	265-42351-02	265-42351-02	265-42351-02	265-42351-02	265-42351-02	265-42351-02
20 Flammable Vapor Sensor Clip	239-45648-00	239-45648-00	239-45648-00	239-45648-00	239-45648-00	239-45648-00	239-45648-00
21 Flammable Vapor Sensor	239-45560-00	239-45560-00	239-45560-00	239-45560-00	239-45560-00	239-45560-00	239-45560-00
22 Flammable Vapor Sensor Harness	239-47907-00	239-47907-00	239-47907-00	239-47907-00	239-47907-00	239-47907-00	239-47907-00
23 Thermowell	233-45651-01	233-45651-01	233-45651-01	233-45651-02	233-45651-02	233-45651-02	233-45651-02
24 Gas Valve Natural Gas	239-48174-01	239-48174-01	239-48174-01	239-48174-01	239-48174-01	239-48174-01	239-48174-02
25 Gas Valve Service Tool	239-45991-00	239-45991-00	239-45991-00	239-45991-00	239-45991-00	239-45991-00	239-45991-00
26 3/4" NPT Pipe Plug	---	---	---	239-11638-00	239-11638-00	239-11638-00	239-11638-00

*Applies to all warranties
 **Inner door gasket kit recommended
 ***Ordering a complete burner assembly may increase delivery time. Please order the specific component required for the quickest delivery.
 ▲ Order with item 9
 ▲▲ Order with item 12



Item Description	Model	Model	Model	Model	Model	Model	Model
	UITW40S*FRN	UITW50S*FRN	UITW60T*FRN	U2TW50T*FRN	U2TW65T*FRN	UITW450S60FR*N	Model
27 ASSE Approved Mixing Valve (Optional)	239-43740-01	239-43740-01	239-43740-01	239-43740-01	239-43740-01	239-43740-01	239-43740-01
28 Kit-Heat Trap Insert	265-45419-00	265-45419-00	265-45419-00	265-45419-00	265-45419-00	265-45419-00	265-45419-00
29 Burner Assembly ***	243-48329-01	243-48329-02	243-48329-02	243-48329-03	243-48329-04	243-48329-03	243-48329-03
30 Flexible Gas Feedline	233-46930-01	233-46930-01	233-46930-01	233-46930-01	233-46930-01	233-46930-01	233-46930-01
31 Thermal Switch	239-43676-03	239-43676-03	239-43676-03	239-43676-03	239-43676-03	239-43676-03	239-43676-03
32 Screw #6-20 x 3/8 PHCR	239-43967-00	239-43967-00	239-43967-00	239-43967-00	239-43967-00	239-43967-00	239-43967-00
33 Burner**	228-48383-18	228-48383-18	228-48383-18	228-48383-19	228-48383-21	228-48383-19	228-48383-19
34 Pilot Assembly**	233-48175-01	233-48175-01	233-48175-01	233-48175-02	233-48175-03	233-48175-02	233-48175-02
35 Screw #8-18 x 1/2 HWH	239-37261-00	239-37261-00	239-37261-00	239-37261-00	239-37261-00	239-37261-00	239-37261-00
36 Pilot Orifice**	234-45869-01	234-45869-01	234-45869-01	234-45869-01	234-45869-01	234-45869-01	234-45869-01
37 Manifold Mount	239-46201-00	239-46201-00	239-46201-00	239-46201-00	239-46201-00	239-46201-00	239-46201-00
38 Plate-FVIR Sensor	239-48341-00	239-48341-00	239-48341-00	239-48341-00	239-48341-00	239-48341-00	239-48341-00
39 Orifice	234-18194-37	234-18194-37	234-18194-36	234-18194-31	234-18194-31	234-18194-31	234-18194-31
40 Clip-Dilution Air	239-48176-00	239-48176-00	239-48176-00	239-48176-00	239-48176-00	239-48176-00	239-48176-00

Applies to all warranties

**Inner door gasket kit recommended

***Ordering a complete burner assembly may increase delivery time. Please order the specific component required for the quickest delivery.

▲ Order with item 9

▲▲ Order with item 12



BRADFORD WHITE®

W A T E R H E A T E R S

Ambler, PA

For U.S. and Canada field service,
contact your professional installer or
local Bradford White sales representative.

Sales/800-523-2931
Fax/215-641-1670
Parts Fax/215-641-2180

Technical Support/800-334-3393
Fax/269-795-1089

Warranty/800-531-2111
Fax/269-795-1089

International:
Telephone/215-641-9400
Telefax/215-641-9750



BRADFORD WHITE-CANADA® INC.

Mississauga, ON

Sales/866-690-0961
905-238-0100

Fax/905-238-0105

Technical Support/800-334-3393

Email

parts@bradfordwhite.com
techserv@bradfordwhite.com

www.bradfordwhite.com