



RESIDENTIAL GAS REPLACEMENT PARTS LIST

Through-The-Wall (TTW2) Energy Saver Models



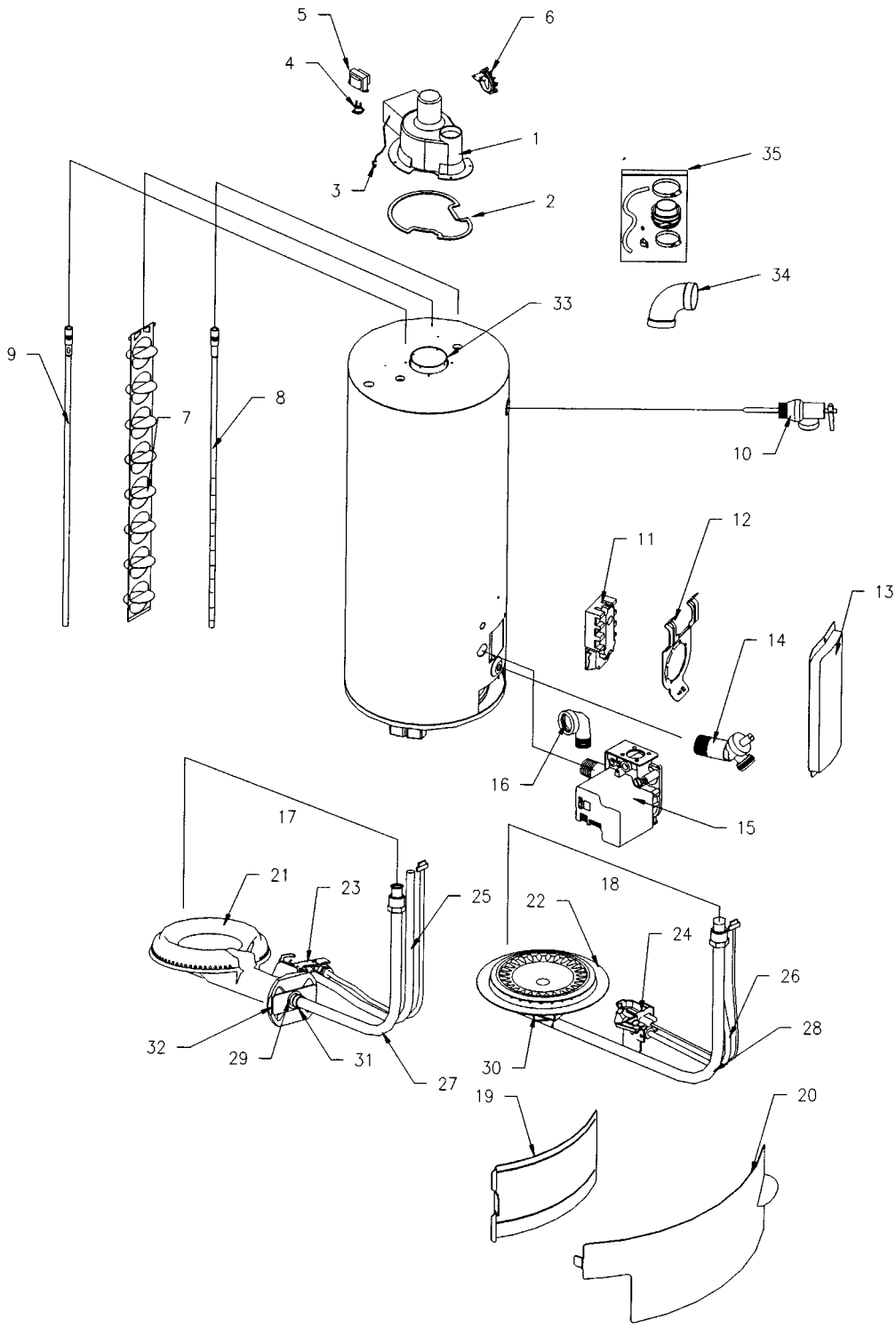
Includes Hydrojet® Total Performance System

**Dash Twelve
(-12) Models**

Effective: November 1, 2001

NOTE: BOTH MODEL AND SERIAL NUMBER ARE REQUIRED FOR ORDERING REPLACEMENT PARTS

Dimensions and specifications subject to change without notice.



Reference Number & Description

1	Blower
2	Blower Gasket
3	Blower Harness
4	Temperature Switch
5	Transformer
6	Pressure Switch
6A	High Altitude Pressure Switch
7	Baffle
8	Dip Tube
9	Anode
10	T & P Valve
11	Thermostat
12	Thermostat Bracket
13	Hand hole Cover
14	"No" Handle Drain Valve
15	Gas Valve
16	Street Elbow
17	Assembly LP Gas Burner
18	Assembly Nat. Gas Burner
19	Inner Door
20	Outer Door
21	Burner (LP)
22	Burner (nat)
23	Pilot Assembly (LP)
24	Pilot Assembly (nat)
25	Pilot Tubing (LP)
26	Pilot Tubing (nat)
27	Feedline (LP)
28	Feedline (nat)
29	Main Burner Orifice (LP)
30	Main Burner Orifice (nat)
31	Washer Spring Crescent
32	Air Shutter
33	Flue Collar
34	Vent Terminal Elbow
35	3" Condensate Trap Kit

Parts Common To MIITW(50, 65, 75)T*EN12 Models

Reference Number and Description	Part Number
1 Blower	239-42133-00
2 Blower Gasket	239-42636-00
3 Blower Harness	239-42634-00
4 Temperature Switch	239-42606-00
5 Transformer	233-40753-00
6 Pressure Switch	239-42614-00
6A High Altitude Pressure Switch	239-42905-00
11 Thermostat	219-42034-00
12 Thermostat Bracket	239-40765-00
13 Hand Hole Cover	243-36618-02
15 Gas Valve	222-40762-01
16 Street Elbow	239-40779-00
22 Nat. Gas Burner Only	228-42506-00
33 Flue Collar	243-42572-00
34 Vent Terminal Elbow	239-40579-00
35 3" Dia. Condensate Trap Kit	239-42743-00

Parts Unique to MIITW50T*EN12

Reference Number and Description	Part Number
7 Baffle	239-40552-00
8 Cold Water Inlet (Hydrojet) Assembly	229-39625-22
9 Hot Water Outlet / Magnesium Anode Assembly	224-32731-86
10 T&P Valve	230-40594-02
14 No Handle Drain Valve	227-42351-02
18 Assembly Nat. Gas Burner	243-42609-01
19 Inner Door	243-36739-02
20 Outer Door	243-41061-00
24 Pilot Assembly Nat.	233-40876-02
26 Pilot Tubing	233-40767-03
28 Feedline Nat.	233-42601-01
30 Main Burner Orifice #27	234-41034-27

Optional Parts Reference Number and Description

8 Cold Water Inlet (Hydrojet) Assembly (PSDTA)	229-39628-21
9 Hot Water Outlet / Aluminum Anode Assembly	224-32999-21
30 High Altitude Orifice 2000 Ft. to 5000 Ft.	234-41034-29
30 High Altitude Orifice 5000 Ft. to 8000 Ft.	234-41034-30
30 High Altitude Orifice Over 8000 Ft.	234-41034-30

(*) Applies to all warranties.

Parts Unique to MIITW65T*EN12

Reference Number and Description	Part Number
7 Baffle	239-40552-00
8 Cold Water Inlet (Hydrojet) Assembly	229-39625-08
9 Hot Water Outlet / Magnesium Anode Assembly	224-32731-83
10 T&P Valve	230-32920-01
14 No Handle Drain Valve	227-42351-01
18 Assembly Nat. Gas Burner	243-42609-02
19 Inner Door	243-36739-02
20 Outer Door	243-41061-00
24 Pilot Assembly Nat.	233-40876-02
26 Pilot Tubing	233-40767-03
28 Feedline Nat.	233-42601-02
30 Main Burner Orifice #27	234-41034-27

Optional Parts Reference Number and Description

8 Cold Water Inlet (Hydrojet) Assembly (PSDTA)	229-39268-21
9 Hot Water Outlet / Aluminum Anode Assembly	224-32999-06
30 High Altitude Orifice 2000 Ft. to 5000 Ft.	234-41034-29
30 High Altitude Orifice 5000 Ft. to 8000 Ft.	234-41034-30
30 High Altitude Orifice Over 8000 Ft.	234-41034-31

Parts Unique to MIITW75T*EN12

Reference Number and Description	Part Number
7 Baffle	239-42573-00
8 Cold Water Inlet (Hydrojet) Assembly	229-39625-05
9 Hot Water Outlet / Magnesium Anode Assembly	224-32731-83
10 T&P Valve	230-40594-02
14 No Handle Drain Valve	227-42351-02
18 Assembly Nat. Gas Burner	243-42609-03
19 Inner Door	243-39207-00
20 Outer Door	243-37177-00
24 Pilot Assembly Nat.	233-40876-03
26 Pilot Tubing	233-40767-02
28 Feedline Nat.	233-42601-03
30 Main Burner Orifice #24	234-41034-21

Optional Parts Reference Number and Description

8 Cold Water Inlet (Hydrojet) Assembly (PSDTA)	229-39628-05
9 Hot Water Outlet / Aluminum Anode Assembly	224-32999-06
30 High Altitude Orifice 2000 Ft. to 5000 Ft.	234-41034-24
30 High Altitude Orifice 5000 Ft. to 8000 Ft.	234-41034-28
30 High Altitude Orifice Over 8000 Ft.	234-41034-28

(*) Applies to all warranties.

Parts Common To MIITW(50, 65, 75)T*CX12 Models

Reference Number and Description	Part Number
1 Blower	239-42133-00
2 Blower Gasket	239-42636-00
3 Blower Harness	239-42634-00
4 Temperature Switch	239-42606-00
5 Transformer	233-40753-00
6 Pressure Switch	239-42614-00
6A High Altitude Pressure Switch	239-42905-00
11 Thermostat	219-42034-00
12 Thermostat Bracket	239-40765-00
13 Hand Hole Cover	243-36618-02
15 Gas Valve	222-40762-02
16 Street Elbow	239-40779-00
31 Washer Spring Crescent	239-40729-00
32 Air Shutter	239-35466-00
33 Flue Collar	243-42572-00
34 Vent Terminal Elbow	239-40579-00
35 3" Dia. Condensate Trap Kit	239-42743-00

Parts Unique to MIITW50T*CX12

Reference Number and Description	Part Number
7 Baffle	239-40552-00
8 Cold Water Inlet (Hydrojet) Assembly	229-39625-22
9 Hot Water Outlet / Magnesium Anode Assembly	224-32731-86
10 T&P Valve	230-40594-02
14 No Handle Drain Valve	227-42351-02
18 Assembly LP. Gas Burner	243-40815-01
19 Inner Door	243-36739-02
20 Outer Door	243-41061-00
21 LP. Gas Burner Only	228-14173-00
24 Pilot Assembly LP.	233-40877-03
26 Pilot Tubing	233-40767-03
28 Feedline LP.	233-40919-01
30 Main Burner Orifice #43	234-35928-43

Optional Parts Reference Number and Description

8 Cold Water Inlet (Hydrojet) Assembly (PSDTA)	229-39628-21
9 Hot Water Outlet / Aluminum Anode Assembly	224-32999-21
30 High Altitude Orifice 2000 Ft. to 5000 Ft.	234-35928-44
30 High Altitude Orifice 5000 Ft. to 8000 Ft.	234-35928-47
30 High Altitude Orifice Over 8000 Ft.	234-35928-48

(*) Applies to all warranties.

Parts Unique to MIITW65T*CX12

Reference Number and Description	Part Number
7 Baffle	239-40552-00
8 Cold Water Inlet (Hydrojet) Assembly	229-39625-08
9 Hot Water Outlet / Magnesium Anode Assembly	224-32731-83
10 T&P Valve	230-32920-01
14 No Handle Drain Valve	227-42351-02
18 Assembly LP. Gas Burner	243-40815-05
19 Inner Door	243-36739-02
20 Outer Door	243-41061-00
21 LP. Gas Burner Only	228-14173-00
24 Pilot Assembly LP.	233-40877-02
26 Pilot Tubing	233-40767-02
28 Feedline LP.	233-40919-03
30 Main Burner Orifice #43	234-35928-43
Optional Parts Reference Number and Description	
8 Cold Water Inlet (Hydrojet) Assembly (PSDTA)	229-39628-21
9 Hot Water Outlet / Aluminum Anode Assembly	224-32999-06
30 High Altitude Orifice 2000 Ft. to 5000 Ft.	234-35928-44
30 High Altitude Orifice 5000 Ft. to 8000 Ft.	234-35928-47
30 High Altitude Orifice Over 8000 Ft.	234-35928-48

Parts Unique to MIITW75T*CX12

Reference Number and Description	Part Number
7 Baffle	239-42573-00
8 Cold Water Inlet (Hydrojet) Assembly	229-39625-05
9 Hot Water Outlet / Magnesium Anode Assembly	224-32731-83
10 T&P Valve	230-40594-02
14 No Handle Drain Valve	227-42351-02
18 Assembly LP. Gas Burner	243-42610-01
19 Inner Door	243-39207-00
20 Outer Door	243-37177-00
21 LP. Gas Burner Only	228-42080-00
24 Pilot Assembly LP.	233-40877-04
26 Pilot Tubing	233-40767-04
28 Feedline LP.	233-42602-01
30 Main Burner Orifice #41	234-35928-41
Optional Parts Reference Number and Description	
8 Cold Water Inlet (Hydrojet) Assembly (PSDTA)	229-39628-05
9 Hot Water Outlet / Aluminum Anode Assembly	224-32999-06
30 High Altitude Orifice 2000 Ft. to 5000 Ft.	234-35928-44
30 High Altitude Orifice 5000 Ft. to 8000 Ft.	234-35928-44
30 High Altitude Orifice Over 8000 Ft.	234-35928-46

(*) Applies to all warranties.



BRADFORD WHITE[®]

C O R P O R A T I O N

200 Lafayette Street
Middleville, Michigan 49333

Sales/800-538-2020
800-532-4020
Fax/215-641-1670

Service/800-334-3393
Fax/616-795-1089

Warranty/800-531-2111
Fax/616-795-1089

International:
Telephone/215-641-9400
Telefax/215-641-9750

In Canada:
Sales/800-523-2931
Fax/215-641-9750
Service/800-334-3393
Fax/616-795-1089

Fax on Demand:
888-538-7833

www.bradfordwhite.com