



GeoSpring™ Hybrid Electric Residential WATER HEATERS

SAFETY INFORMATION3

OPERATING INSTRUCTIONS

Sizing information5

Controls6

Operational Modes.....7

ConnectPlus Module8

CARE AND CLEANING9

INSTALLATION INSTRUCTIONS 13

TROUBLESHOOTING TIPS..... 19

Fault Codes.....21

WARRANTY.....22

CONSUMER SUPPORT 24

OWNER'S MANUAL

- GEH50DEEJS
- GEH50DFEJS
- GEH80DEEJS
- GEH80DFEJS

Write the model and serial numbers here:

Model # _____

Serial # _____

You can find them on the rating label on the front side of your water heater.

THANK YOU FOR MAKING GE APPLIANCES A PART OF YOUR HOME.

Whether you grew up with GE Appliances, or this is your first, we're happy to have you in the family.

We take pride in the craftsmanship, innovation and design that goes into every GE Appliances product, and we think you will too. Among other things, registration of your appliance ensures that we can deliver important product information and warranty details when you need them.

Register your GE appliance now online. Helpful websites and phone numbers are available in the Consumer Support section of this Owner's Manual. You may also mail in the pre-printed registration card included in the packing material.



IMPORTANT SAFETY INFORMATION

READ ALL INSTRUCTIONS BEFORE USING THE APPLIANCE

⚠ WARNING

For your safety, the information in this manual must be followed to minimize the risk of fire or explosion, electric shock, or to prevent property damage, personal injury, or loss of life.

Be sure to read and understand the entire Owner's Manual before attempting to install or operate this water heater. It may save you time and cost. Pay particular attention to the Safety Instructions. Failure to follow these warnings could result in serious bodily injury or death. Should you have problems understanding the instructions in this manual, or have any questions, STOP and get help from a qualified service technician or the local electric utility.

⚠ WARNING

Risk of Fire - DO NOT store or use gasoline or other flammable vapors and liquids in the vicinity of this or any other appliance. Keep rags and other combustibles away.

⚠ WARNING

If the water heater has been subjected to flood, fire, or physical damage, turn off power and water to the water heater.

Do not operate the water heater again until it has been thoroughly checked by qualified service personnel.

Safety Precautions

- A. Do** turn off power to water heater if it has been subjected to overheating, fire, flood or physical damage.
- B. Do Not** turn on water heater unless it is filled with water.
- C. Do Not** turn on water heater if cold water supply shut-off valve is closed.

NOTE: Flammable vapors may be drawn by air currents from surrounding areas to the water heater.

- D.** If there is any difficulty in understanding or following the Operating Instructions or the Care and Cleaning section, it is recommended that a qualified person or serviceman perform the work.

⚠ CAUTION

Risk of Fire - Hydrogen gas can be produced in a hot water system served by this water heater that has not been used for a long period of time (generally two weeks or more). **HYDROGEN GAS IS EXTREMELY FLAMMABLE!!** To dissipate such gas and to reduce risk of injury, it is recommended that the hot water faucet be opened for several minutes at the kitchen sink before using any electrical appliance connected to the hot water system. If hydrogen is present, there will be an unusual sound such as air escaping through the pipe as the water begins to flow. Do not smoke or use an open flame near the faucet at the time it is open.

⚠ FOR INSTALLATIONS IN THE STATE OF CALIFORNIA

California Law requires that residential water heaters must be braced, anchored or strapped to resist falling or horizontal displacement due to earthquake motions. For residential water heaters up to 52 gallon (236.4 L) capacity, a brochure with generic earthquake bracing instructions can be obtained from: Office of the State Architect, 400 P Street, Sacramento, CA 95814 or you may call 916.324.5315 or ask a water heater dealer.

Applicable local codes shall always govern installation. For residential water heaters of a capacity greater than 52 gallons (236.4 L) consult the local building jurisdiction for acceptable bracing procedures.

State of California Proposition 65 Warnings:

⚠ WARNING

This product contains one or more chemicals known to the State of California to cause cancer and birth defects or other reproductive harm.

READ AND SAVE THESE INSTRUCTIONS

IMPORTANT SAFETY INFORMATION

READ ALL INSTRUCTIONS BEFORE USING THE APPLIANCE



Water temperature over 125°F can cause severe burns instantly or death from scalds.

The electronic temperature control setting usually approximates tap water temperature. However, factors could cause water temperature to reach 160°F regardless of the control setting. Always feel water before bathing and showering.

Children, disabled and elderly are at highest risk of being scalded.

See instruction manual before setting temperature at water heater.

Feel water before bathing or showering.

Temperature limiting valves are available; see manual.

WATER TEMPERATURE ADJUSTMENT

Safety, energy conservation, and hot water capacity are factors to be considered when selecting the water temperature setting of the water heater. Water temperatures above 125°F can cause severe burns or death from scalding. Be sure to read and follow the warnings outlined on the label pictured below. This label is also located on the water heater near the top of the tank.

Time/Temperature Relationship in Scalds

Temperature	Time to Produce a Serious Burn
120°F (49°C)	More than 5 minutes
125°F (52°C)	1-1/2 to 2 minutes
130°F (54°C)	About 30 seconds
135°F (57°C)	About 10 seconds
140°F (60°C)	Less than 5 seconds
145°F (63°C)	Less than 3 seconds
150°F (66°C)	About 1-1/2 seconds
155°F (68°C)	About 1 second

Table courtesy of Shriners Burn Institute

The chart shown above may be used as a guide in determining the proper water temperature for your home.

⚠ DANGER There is a Hot Water SCALD Potential if the control water temperature is set too high. Households with small children, disabled or elderly persons may require a 120°F (49°C) or lower thermostat setting to prevent contact with "HOT" water.

Thermostat has been set at the factory to 120°F (49°C) to reduce the risk of scald injury. This is the recommended starting temperature setting, but it can be adjusted to any temperature between 100°F and 140°F (38°C and 60°C).

To Adjust the Temperature

Follow these steps:

1. Press the UP or DOWN arrow on the control panel key pad to desired temperature.
2. Press ENTER to accept the new setting.

Note: To change between °F and °C, press and hold MODE.

Safety Controls

The water heater is equipped with a temperature-limiting control (TCO) that is located above the heating element in contact with the tank surface. If for any reason the water temperature becomes excessively high, the temperature-limiting control (TCO) breaks the power circuit to the heating element. Once the control opens, it must be reset manually. Resetting of the temperature limiting controls should be done by a qualified service technician.

⚠ CAUTION The cause of the high temperature condition must be investigated by a qualified service technician and corrective action must be taken before placing the water heater in service again.

To reset the temperature-limiting control:

1. Turn off the power to the water heater.
2. Remove the jacket access panel(s) and insulation. The thermostat protective cover should not be removed.
3. Press the red RESET button.
4. Replace the insulation and jacket access panel(s) before turning on the power to the water heater.

READ AND SAVE THESE INSTRUCTIONS

Water Heater Sizing Information

For existing home replacements:

Replacing an existing tank water heater? If your current water heater has provided adequate hot water, and no other plumbing changes and/or renovations that would require additional hot water demand are in process or planned, then:

- The GeoSpring™ Hybrid Water Heater can replace an equivalent size or smaller standard electric water heater.
- If switching from gas to electric, the GeoSpring™ Hybrid Water Heater may replace the next size smaller gas tank type water heater.

For new construction installation:

Residential Water Heater Sizing Guide			
Family Size	Demand*	Gallon Capacity Recommended	
		Electric or GeoSpring™	Gas
5+	High	100 (378.5L)	75 (283.9L)
	Avg or Low	80 (302.8L)	50 (189.3L)
3 to 4	High	80 (302.8L)	50-75 (189.3-283.9L)
	Avg or Low	50 (189.3L)	40 (151.4L)
2 to 3	High	50 (189.3L)	40-50 (151.4-189.3L)
	Avg or Low	40 (151.4L)	40 (151.4L)
1 to 2	High	40-50 (151.4-189.3L)	40-50 (151.4-189.3L)
	Avg or Low	30 (113.6L)	Avg or Low

*Assumptions for Avg or Low Demand household:
 - Use of standard or low flow shower heads (2.5 gpm/11.4 L per minute or less)
 - No showers with multiple shower heads and/or body jets.
 - Standard bathtub (no oversized/jetted tubs)

Water Heater Capacity and Increasing Temperature Setpoint:

The water heater temperature setting strongly impacts the amount of usable hot water available for showers and baths.

- Energy consumption/savings and efficiency testing of water heaters, including the GeoSpring™, is performed according to Department of Energy (DOE) requirements specified at the date of manufacture.
- Safety regulations require a factory setting no greater than 125°F (52°C) for all new water heaters. Therefore, if your old water heater was set to a hotter temperature than your new water heater with a factory set setpoint of 120°F (49°C), the new water heater may seem to provide lower capacity than your old water heater. This can be corrected by increasing the temperature setpoint.
- If more hot water capacity is desired, increasing the temperature from 120°F to 135°F (49°C to 57°C) will enable the same tank of hot water to last about 25% longer because less hot water is mixed in at the shower or faucet.
- Increasing the water temperature setpoint may improve the cleaning performance of dishwashers and washing machines.
- The user can adjust the temperature setting to meet their needs. Always read and understand the safety instructions contained in the owner's manual before adjusting the temperature setpoint.

Mixing Valves

- Mixing valves for reducing point-of-use water temperature by mixing hot and cold water in branch water lines are commercially available. Contact a licensed plumber or the local plumbing authority for further information.

About the control panel

Displaying Temperature Setpoint

The GeoSpring™ control will display the temperature setpoint anytime a button on the control is pressed. After 30 seconds of inactivity, the display will go blank. However, the LED indicating the selected mode of operation will remain lit. To wake the control at any time to see the temperature setpoint, press any button on the control.

Turning on the Water Heater

There is no power button for this unit. Once the water heater is wired and power is supplied, it will be on. The display will show the current water temperature setting and an LED will illuminate indicating the current operating mode.

To comply with safety regulations, the controls are factory preset to 120°F (49°C) and Hybrid Mode. It is recommended that the unit be set to Heat Pump mode to maximize energy savings. Operating in Hybrid mode provides a balance of energy savings and hot water use convenience. Reported energy consumption is based on operating the unit in Hybrid mode at required Department of Energy (DOE) test conditions. Operating at lower temperature settings or in Heat Pump mode will provide even greater energy savings.

To Adjust the Temperature

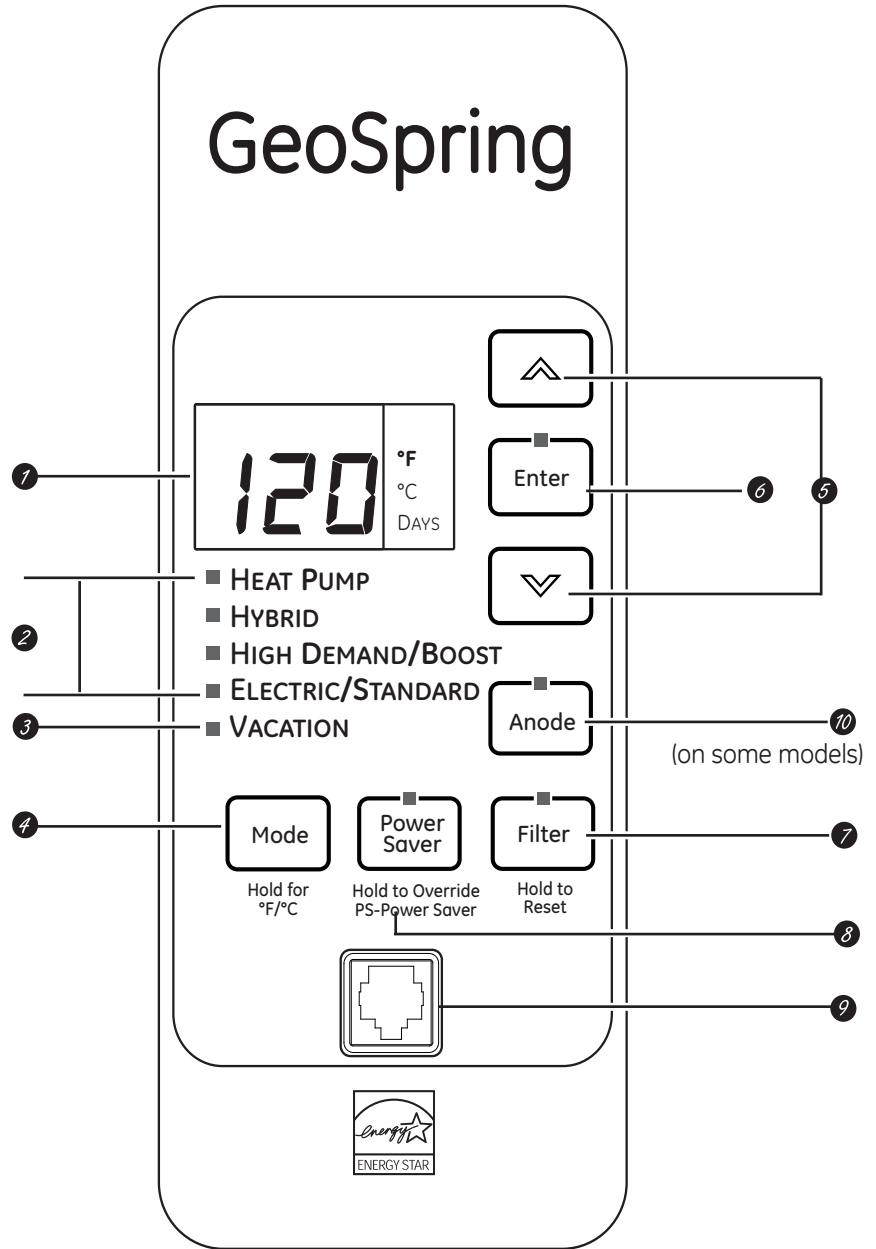
Follow these steps:

1. Press the UP or DOWN arrow on the control panel key pad to desired temperature.
2. Press ENTER to accept the new setting.

Note: To change between °F and °C, press and hold MODE.

Control Features

- 1. Display**
- 2. Operating Modes**
- 3. Vacation Mode**
- 4. Mode Selector**
Use this button to alternate between available modes.
- 5. Arrow Pads**
Use these buttons to adjust the temperature setting.
- 6. Enter Key**
Use this button to confirm temperature setting following adjustment.
- 7. Filter Reset**
The filter is dirty and requires cleaning when the Red light is illuminated. Filter is located on top of the water heater. Press button and hold for 5 seconds to reset filter alarm.
- 8. Power Saver Override**
If operating with a demand response program through a local utility company, press and hold to bring unit out of Power Saver mode.
- 9. Appliance Communication Module Port**
For use with optional ConnectPlus communication module (see page 8 for details).
- 10. Anode Reset (on some models)**
When the red light is illuminated, the system has indicated that the anode rod is approaching end of life and it is recommended to replace it. Press button once to silence alarm. Press and hold for 10 seconds to reset the anode alarm after replacing. Call GE Appliances Service to replace the anode rod. Failure to replace the anode rod will void warranty coverage and may result in a tank leak. (See page 12 for instructions to change the anode rod.) GE Appliances Service: 888.4GE.HEWH (888.443.4394).



Operational Modes

This water heater defaults to the Hybrid operating mode.

To select available modes listed below:

1. Press the MODE button until the LED next to the desired Operating Mode is illuminated.

In Hybrid Mode and High Demand/Boost Mode, the Electric/Standard Mode LED will flash anytime the heating elements are active, such as during the initial recovery from a large draw. This is normal and does not indicate an operating issue.

Cold Climate Efficiency

This heat pump water heater is compliant with the Tier 3 Advanced Water Heater Specification, v6.0 (formerly known as the Northern Climate Specification) and may qualify for rebates in some regions. Compliance with the specification does not require a Cold Climate Efficiency (CCE) setting for models produced after 2015, and as a result the CCE setting may not be available on your model. Check with your local utility for available rebates and requirements.

A ducting kit is available for use with your heat pump water heater if desired. [See www.geospring.com for ducting kit details].

Ducting kits may be installed to achieve directed flow of inlet and outlet air for heat pump operation, or to allow water heater installation in rooms less than 700cu. ft. (19.8 cu.m.) or without louvered doors, as specified in the installation instructions.

Heat Pump Mode—RECOMMENDED FOR MAXIMUM SAVINGS

Heat Pump is the most energy-efficient mode for this water heater. It takes heat from the surrounding air to heat the water. The time it takes to heat the water is longer in this mode, so it may not be sufficient if you have a high-demand situation such as a large household or company.

Hybrid Mode

Hybrid mode combines the energy efficiency of Heat Pump with the recovery speed and power of the Electric/Standard mode in most water usage situations. Hybrid mode will allow the unit to perform like a standard electric water heater while providing significant energy savings.

NOTE: Energy Guide unit performance, energy consumption and savings are based on non-ducted installations in Hybrid mode at required Department of Energy (DOE) test conditions. Operating in Heat Pump mode may provide a greater savings in energy and operating costs than the claimed savings.

High Demand/Boost Mode

This mode may be necessary if your household has a higher-than-average water usage or the unit is undersized for the household water demands. In this mode, the unit will use the electric heating elements only when the water demand rate is high. When using the heating elements, the water temperature will recover at a faster rate but it will use more energy to heat it. Unlike Electric/Standard mode, it will use the heating elements only when needed, and use the heat pump when water demand rates are lower.

NOTE: The difference between Hybrid mode and High Demand/Boost mode is that in High Demand/Boost mode the heating resistive elements are activated sooner than in Hybrid mode.

Electric/Standard Mode

This mode uses only the upper and lower heating resistance elements to heat the water, stopping the cool air discharge during heat pump operation. The time it takes to heat the water is less in this mode, but it is the LEAST energy-efficient mode.

Follow these steps to set Electric/Standard mode:

1. Select Electric/Standard mode using the MODE button.
2. Input the total days to remain in Electric/Standard mode using the UP arrow. The default is 3 days, maximum 99 days.
3. Press ENTER

At the end of the selected time period, the unit will switch back to the previously selected more energy-efficient mode.

NOTE: In this mode the green LED light will flash after 48 hours as an indication that the unit is not operating in the most energy efficient mode. The unit will continue to operate in this mode and does not indicate an operating issue.

Vacation Mode

This feature is recommended when you will be away from the home for an extended period of time and hot water is not needed. In this mode, the unit will reduce the water temperature setting to 50°F (10°C) and will use the most efficient heating mode to conserve energy while the heater is sitting idle. The unit will automatically resume heating one day before your return, so that hot water will be available.

To set Vacation Mode:

1. Select Vacation by pressing the MODE button.
2. Input the total number of days you will be gone by pressing the UP arrow. The default is 7 days, maximum 199, or remain in Vacation Mode indefinitely by selecting “---”.
3. Press ENTER.

For example, if you will be gone 14 days, set Vacation mode for 14 days using the steps above. The temperature setting will automatically reduce to 50°F (10°C) for 13 days. At the end of the 13th day, the previous operating mode and temperature setting will reset to ensure hot water is available upon your return.

Extended Shutdown Periods

If the water heater is to remain idle for an extended period of time, the power and water to the appliance should be turned off and the water heater drained to conserve energy and prevent a buildup of dangerous hydrogen gas. This unit has no power button, power can only be shut off at the circuit breaker or disconnect switch.

If the water heater has an anode depletion sensing feature (some models) and the water heater cannot be drained, it is recommended to leave the power turned on with the water heater in vacation mode to ensure that the feature will continue to operate properly while still conserving energy.

The water heater and piping should be drained if they might be subjected to freezing temperatures.

After a long shutdown period, the water heater's operation and controls should be checked by qualified service personnel. Make certain the water heater is completely filled again before placing it in operation.

NOTE: Refer to the Hydrogen Gas Caution in the Operating Instructions (see page 3).

ConnectPlus Module (where installed)

Your GeoSpring water heater is **GE Appliances WiFi Connect** compatible using the **GE Appliances ConnectPlus** module, sold separately. The ConnectPlus module will allow your water heater to communicate with your smart phone for remote monitoring, control of settings and vacation mode, and receiving alerts and notifications. Please visit www.GEAppliances.com/connect to learn more about connected appliance features, to learn which connected appliance App's will work with your Smart Phone, and to learn where you can purchase a **GE Appliances ConnectPlus** module.

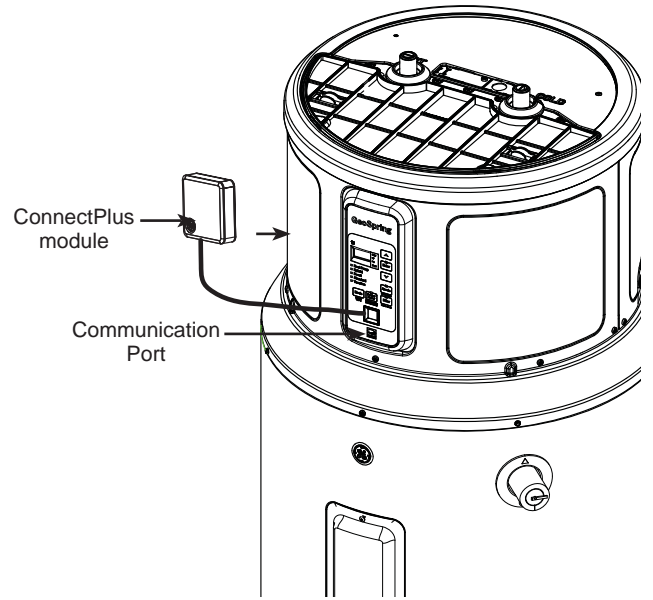
Installation

The ConnectPlus is equipped with magnets in the base of the module that enable it to attach to the painted metal exterior of the GeoSpring water heater. To connect your water heater to the internet through your home's wireless internet router, plug the ConnectPlus cable into the communication port on the front of your GeoSpring and follow the activation instructions on your Smart Phone's App.

WiFi Connectivity: For assistance with appliance or ConnectPlus network connectivity, please call 1-800-220-6899.

The ConnectPlus module has the FCCID located on the back of the module.

RF Exposure - This device is only authorized for use in a mobile application. At least 20 cm of separation distance between the ConnectPlus device and the user's body must be maintained at all times.



Notice: The Communication Port connection carries voltage not compatible to computers or accessories. Do NOT plug laptops, modems, routers, etc. into the Communication Port. Use only with designated GE Appliances Accessories. Connection to computers and accessories may result in product damage.

Care and Cleaning

Exterior Surfaces

Hand wash with warm water only.

Routine Preventive Maintenance

⚠ DANGER Risk of Scald - Before manually operating the relief valve, make certain no one will be exposed to the danger of coming in contact with the hot water released by the valve. The water may be hot enough to create a scald hazard. The water should be released into a suitable drain to prevent injury or property damage.

NOTE: If the temperature and pressure-relief valve on the hot water heater discharges periodically, this may be due to thermal expansion in a closed water system. Contact the water supplier or your plumbing contractor on how to correct this. Do not plug the relief valve outlet.

Properly maintained, your water heater will provide years of dependable trouble-free service. It is suggested that the following yearly preventive maintenance program be established.

1. Inspect Temperature & Pressure Relief Valve.
2. Inspect heating elements, TCO, and wiring to each.
3. Drain and Flush the water heater tank.
4. Clean the air filter.
5. Clear the condensate drain pan and drain lines.
6. Anode rod must be removed and inspected.

Temperature and Pressure-Relief Valve:

Once a year, it is recommended to lift and release the lever handle on the temperature and pressure-relief valve, located on the front-right side of the water heater, to make certain the valve operates freely. Allow several gallons to flush through the discharge line to an open drain.

Heating Elements and TCO:

Once a year, it is recommended to inspect the heating elements, TCO, and wiring to each. Inspection should be completed by service personnel qualified in electrical appliance repair.

Most electrical appliances, even when new, make some sound when in operation. If the hissing or singing sound level increases excessively, the electric heating element may require cleaning. Contact a qualified installer or plumber for inspection.

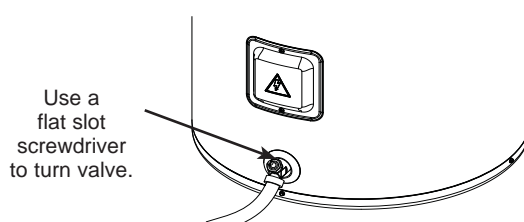
Draining and Flushing the Water Heater

⚠ CAUTION Risk of Shock - Shut off power to the water heater before draining water.

⚠ DANGER Risk of Scald - Before manually operating the relief valve, make certain no one will be exposed to the hot water released by the valve. The water drained from the tank may be hot enough to present a scald hazard and should be directed to a suitable drain to prevent injury or damage.

A water heater's tank can act as a settling basin for solids suspended in the water. It is therefore not uncommon for hard water deposits to accumulate in the bottom of the tank. To clean the tank of these deposits, it is recommended to drain and flush the water heater tank once a year. To drain the water heater, follow these steps:

1. Turn off power to the unit. The electric heating elements will become damaged if operated without water.
2. Attach a garden hose to the drain valve located at the bottom of the unit and direct that hose to a drain.
3. Turn off the cold water supply.
4. Admit air to the tank by opening a hot water faucet or lifting the handle on the relief valve.
5. Open the drain valve with a flat screwdriver.



Flushing the Tank:

1. Follow steps above to drain the water heater.
2. Once the water heater is empty, with the drain valve open and garden hose attached to the drain valve, turn on the cold water supply.
3. Allow several gallons to flush through the drain valve and hose to an open drain.
4. Turn off the water supply and allow any water remaining in the tank to drain.
5. Repeat steps 3 and 4 until water runs clear.
6. Close the drain valve and fill the tank before returning power to the unit. The tank is full when water runs out of a nearby open hot water faucet.

Flushing should be done with an empty tank to promote additional removal of sediment.

Note: See page 14 for product schematic.

Care and Cleaning

Cleaning the Filter

In the Hybrid, Heat Pump, and High Demand/Boost modes, the water heater pulls air through the filter and out the back of the unit. The filter is in place to protect the evaporator from dirt and dust.

A clean air filter is important to get the highest efficiency. Occasionally this filter will need to be cleaned. When the filter requires cleaning, the Red light above the FILTER button will illuminate and an alarm will sound.

NOTE: If the filter gets too dirty, the unit will automatically switch to Electric/Standard mode and energy savings will be lost.

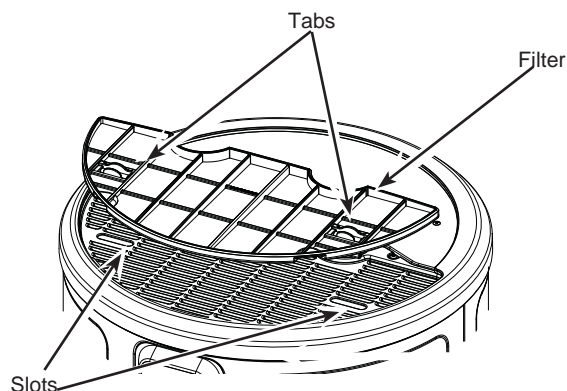
Leave the power on. Remove the filter from the top of the unit. Squeeze two tabs and lift to remove the air filter. Once it has been removed, the filter can be vacuumed or wiped clean with a damp cloth or rinsed with warm water.

Once the filter has been cleaned and dried, it can be replaced by aligning it into the slots in the top of the unit and pushing it down into place.

After the clean filter has been reinstalled, press and hold the FILTER button to reset the alarm. The unit will automatically revert to the previously selected operating mode. If a heating cycle is active when the filter alarm is reset, it will continue in Electric/Standard mode to finish the cycle, then automatically revert to the previously selected mode.

IMPORTANT: Filter must be cleaned when the alarm is displayed. A dirty filter will make the system work harder and result in a reduction of efficiency and possible damage to the system. In order to get the best energy efficiency available, make sure your filter is clean.

NOTE: If the dirty filter alarm returns within a few days after cleaning and resetting, it may be an indication of a refrigerant leak. Further diagnosis by a service technician is necessary.

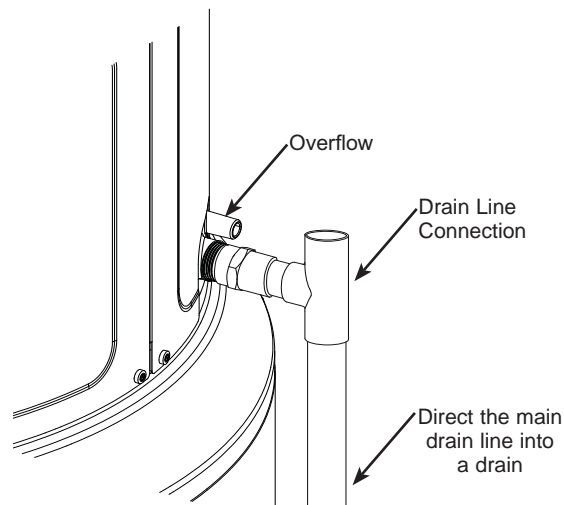


Clearing the Condensation Drain Tube

The main drain is intended to carry all condensate away. If it is clogged, the heat pump will stop operating, the display will show F20, and an alarm will sound. Press any button to silence the alarm, then clear the condensate drain by removing any drain lines and connections, and clearing debris. Reattach drain lines and connections, then allow the water heater to run. The GeoSpring water heater will continue to produce hot water using the backup resistance heating elements until the condensate drain has been cleared, and is able to drain properly. Once the drain has been cleared, the unit will then be able to operate the heat pump again.

Periodically inspect the drain lines and clear any debris that may have collected in the lines.

See Installation Instructions for more information.



Care and Cleaning

Routine Preventative Maintenance

Anode Rod

Anode rods are designed and installed to protect and extend the life of residential water storage tanks.

The anode rod must be removed from the water heater's tank and inspected annually, and replaced when more than 6" (15.2 cm) of core wire is exposed at either end of the rod.* Note: Artificially softened water will cause the anode rod to consume more rapidly.

Due to shock hazard and to prevent accidental water leaks, this inspection should be done by a qualified servicer or plumber, and requires that the electric power and cold water supply be turned off before servicing the anode rod.

NOTICE: Do not remove the anode rod from the water heater's tank except for inspection and/or replacement, as operation with the anode rod removed will shorten the life of the glass-lined tank and will void warranty coverage.

Some areas have water conditions that may cause an odor to develop in the water heater. Aluminum-Zinc alloy replacement rods are available to address the condition.

***NOTE:** Failure to replace the anode rod when consumed risks voiding the warranty for the tank. Warranty coverage for all other components remains intact, and is unaffected by this maintenance requirement. The replacement anode rod, and the inspection for consumption are not covered by warranty.

Additional information for models with an anode depletion sensing feature (Anode button on the control):

When the depletion-sensing anode rod nears end of life, the red light above the ANODE button will illuminate and the control will beep and display F16. When this occurs, the anode rod must be inspected and replaced if the core wire at the top of the anode rod is exposed or if the length of the anode rod is less than 33" (83.8cm).* It is recommended to replace the anode rod as soon as possible to ensure that the tank will continue to be protected from corrosion. Call GE Appliances Service to order or to replace the anode rod. (See page 12 for instructions to change the anode rod.) GE Appliances Service: 888.4GE.HEWH (888.443.4394).

Press the ANODE button once to silence the alarm. Once replaced, reset the alarm by pressing and holding the ANODE button for 10 seconds until the control beeps and the LED above the button turns off.

If an Aluminum-Zinc anode rod is installed to address a water odor condition, the anode depletion sensing feature must be disabled. If disabled, annual inspections of the anode rod are required since the water heater will no longer be capable of alerting for a depleted anode rod.

To disable the feature:

1. Upon power-up following an Aluminum-Zinc anode rod installation, the control will sound an alarm and F17 will display. Press the ANODE button to quiet the alarm.
2. Press the ANODE button 3 times. "Off" or "On" will display confirming that the feature has been disabled/enabled.

To enable the feature if a new anode depletion sensing anode rod is installed, follow Step 2 above.

Note: If the display is blank, press any button to wake the control before entering a button combination.

NOTE: If the water heater has been installed with a device that periodically cuts power to the water heater, the accuracy of the anode rod depletion sensing feature may become compromised and anode rod inspection every 2-3 years is required.

If the water heater will be inactive for a long period of time and the water heater cannot be drained, it is recommended to leave the power turned on with the water heater in vacation mode to ensure that the feature will continue to operate properly while still conserving energy.

NOTE: Refer to the Hydrogen Gas Caution in the Operating Instructions (see page 3).

Anode Rod Maintenance and Service

CAUTION - IMPORTANT SAFETY NOTICE

This information is intended to use by individuals possessing adequate background of electrical, electronic and mechanical experience. Any attempt to repair a major appliance may result in personal injury and property damage. The manufacturer or seller cannot be responsible for the interpretation of this information, nor can it assume any liability in connection with its use.

Tools needed:

- T20 Torx Screwdriver
 - Slot Screwdriver
 - Tape
 - Socket Wrench
 - Socket Extension 12" long
 - 1 1/16" Socket
 - Softset Sealant
 - Anode Rod, if needed
- * See page 24 for part ordering instructions

To service the Anode Rod:

1. Disconnect power, shut off the water supply, and partially drain one or two gallons from the water heater through the lower drain valve.
2. Remove the filter, trim ring, and front top cover as shown in **Illustration A**.

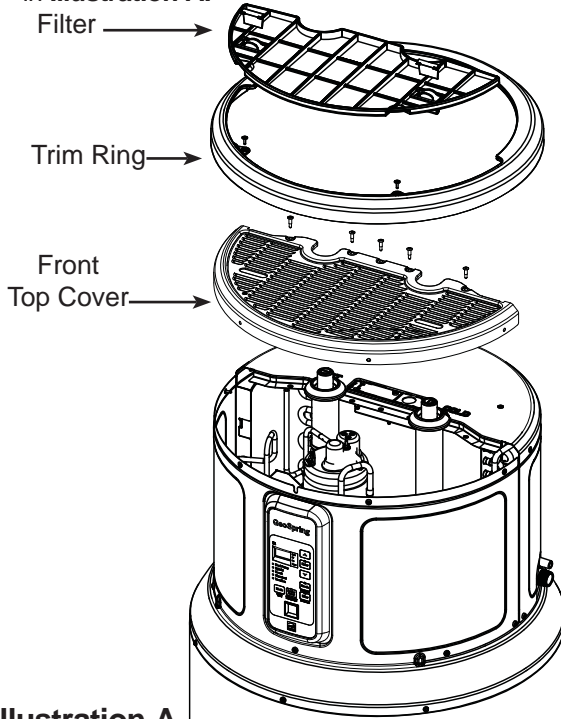


Illustration A

3. Reinstall the trim ring, place a protective layer of tape on sheet metal edges, as shown in **Illustration B**.

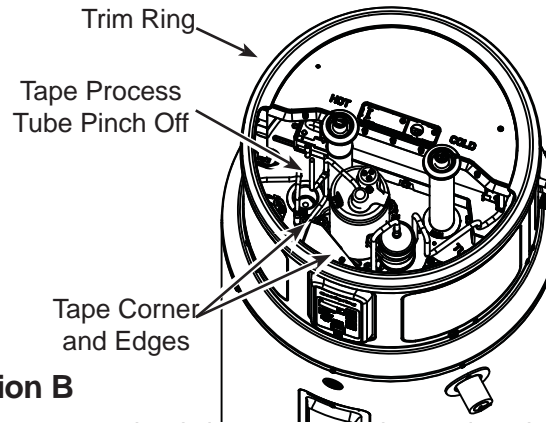


Illustration B

4. If present, remove insulation to uncover the anode rod as shown in **Illustration C**. Unplug anode wire (on some models).

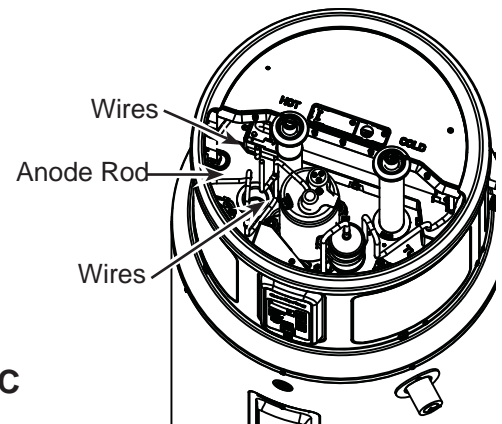


Illustration C

5. Using a 1 1/16" socket and extension, unscrew the anode rod, then lift out to inspect as shown in **Illustration D**.

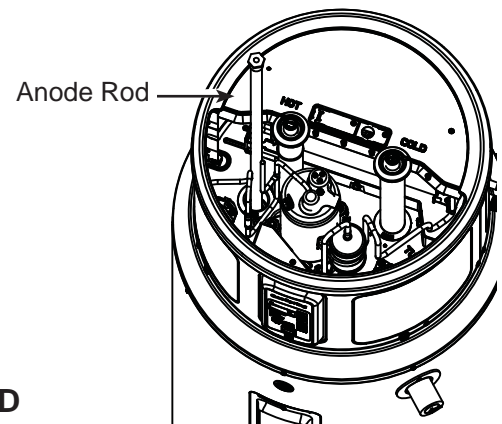


Illustration D

6. To install the anode rod, seal the threads with soft set sealant, thread into the port and using the torque wrench tighten to 50 ± 5 ft-lbs of torque. Plug in the wire for the anode rod (some models). If an Aluminum-Zinc or other non-sensing anode rod is installed, the anode depletion sensing feature must be disabled and the wire end taped (some models).
7. Turn water supply on, open a tap to remove any air in plumbing system, inspect for leaks, then reassemble the unit in reverse order as shown in **Illustration A**, and turn the power on. Reset the ANODE button (some models) by pressing and holding for 10 seconds to indicate that a new anode depletion sensing anode rod is installed.

Installation Instructions

The location chosen for the water heater must take into consideration the following:

LOCAL INSTALLATION REGULATIONS

This water heater must be installed in accordance with these instructions, local codes, utility codes, utility company requirements or, in the absence of local codes, the latest edition of the National Electrical Code. It is available from some local libraries or can be purchased from the National Fire Prevention Association, Batterymarch park, Quincy, MA 02169 as booklet ANSI/NFPA 70.

POWER REQUIREMENTS

Check the markings on the rating plate of the water heater to be certain the power supply corresponds to the water heater requirements. **NOTE:** 208V installations may experience lower performance.

LOCATION

The water heater and water lines should be protected from freezing temperatures and *high-corrosive atmospheres*. Do not install the water heater in outdoor, unprotected areas.

Locate the water heater in a clean dry area as near as practical to the area of greatest heated water demand. Long uninsulated hot water lines can waste energy and water. Unit must be installed in a level location.

NOTE: This unit is designed for any common indoor installation in a space with at least 700cu.ft. (19.8cu.m) (example 10' x 10' x 7') including: garage, utility room, attic, closet, etc. It can be installed in rooms smaller than 700 cu.ft. (19.8cu.m) with the installation of a louvered door, or two louvered sections (one at the top and one at the bottom of the door or wall for airflow), or a GE Appliances ducting kit (see www.geospring.com for details). Louvers should have 240 square inches (0.15 m²) of open airflow area or greater.

Servicing the water heater requires proper installation such that the air filter, covers, trim ring, and front panels can be removed to permit inspection and servicing. Reference installation instructions found in this manual.

Attic installations require access stairs and solid flooring with no exposed floor joists up to the installation location. Moving the water heater or other appliances to provide service to the water heater is not covered under warranty.

NOTE: The heat pump operating range is 35°F to 120°F (2°C to 49°C). If the ambient temperature is outside of this range, the heat pump will turn off and the electric elements will be used until the ambient temperature returns to within the operating range.

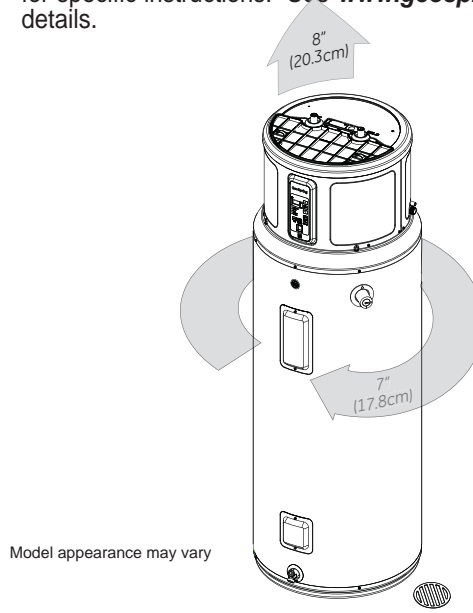
⚠ CAUTION Risk of Property Damage -
The water heater should not be located in an area where leakage of the tank or connections will result in damage to the area adjacent to it or to lower floors of the structure. Where such areas cannot be avoided, it is recommended that a suitable catch pan, adequately drained, be installed under the water heater.

LOCATION (CONT).

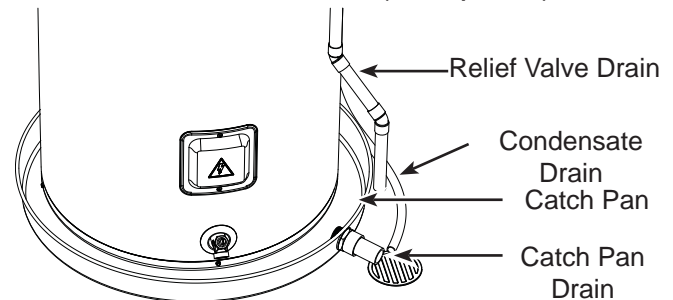
Required clearances:

There must be a 7" (17.8 cm) clearance between any object and the rear and sides of the water heater in the event service is needed. A minimum 8" (20.3cm) clearance above the water heater to remove the filter for cleaning and for service access, and clear access to the front of the water heater, is recommended. Installations that require 6" clearance on the sides or rear of the water heater for earthquake straps are also acceptable. **In these cases, additional clearance must be provided on the opposite side of the unit to allow for service access.** The hot and cold water plumbing and electrical connections must not interfere with the removal of the filter.

If a separate GE Appliances ducting kit is purchased, additional space is required above and to the rear of the water heater for installation. Consult the ducting kit manual for specific instructions. See www.geospring.com for details.



Catch Pan Installation (If required)



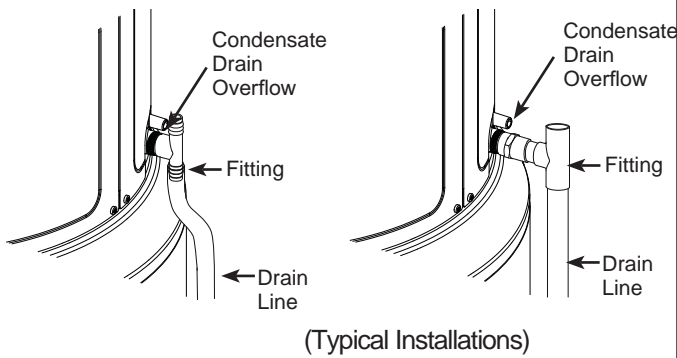
NOTE: Auxiliary catch pan MUST conform to local codes. Catch Pan Kits are available from the store where the water heater was purchased, a builder store or any water heater distributor. The catch pan should be 2" (5.1 cm) minimum larger than the Water Heater base diameter. To prevent corrosion and improve Drain Valve access it is recommended that the water heater be placed on spacers inside the catch pan.

Installation Instructions

CONDENSATION DRAIN CONNECTION

This unit has a condensate drain; therefore a floor or other drain no higher than 36" (91.4cm) above the floor must be available in close proximity to the water heater to allow for the shortest possible drain line with minimal turns to be installed. Drain must meet state and local codes. It is important to install a 3/4" FNPT fitting suitable for either rigid or flexible drain line to the primary drain port coming off the side of the unit. Diameter reductions from a 3/4" drain line are discouraged.

Ensure that the rigid or flexible drain line maintains a downward slope to allow for proper gravity drainage of condensate to the drain and to allow for proper function of the condensate drain blockage sensor (see page 10). If no drain is available, then a common condensate pump with a capacity no less than 1 gallon (3.8L)/day must be purchased and installed. It is important to route the flexible or rigid drain line so that the discharge water cannot contact live electrical parts or cause water damage .



Additional parts needed:
 1- Flexible or rigid 3/4" drain line and associated 3/4"-FNPT fitting

THERMAL EXPANSION

If a check valve is present on the inlet water line, it will create a "closed system." Heating water in a closed system creates an increase in pressure within the water system because the pressure is not able to dissipate in the main supply line. Referred to as "thermal expansion", the rapid pressure increase can cause the relief valve to operate (releasing water) during each heating cycle, potentially causing premature failure to the valve or even the water heater. The suggested method of controlling thermal expansion is to install an expansion tank in the cold water line between the water heater and the check valve as shown in the following illustrations. Contact your installing contractor, water supplier, or plumbing inspector for additional information.

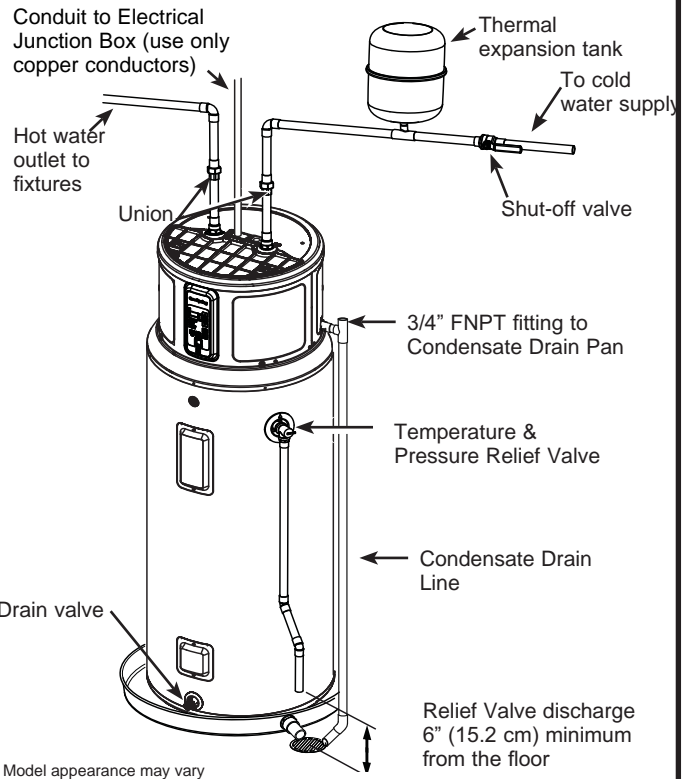
WATER SUPPLY CONNECTIONS

Refer to the illustration below for suggested typical installation. The HOT and COLD water connections are clearly marked and are 3/4" NPT on all models. When connecting to the inlet/outlet ports, the use of 3/4" female NPT tapered thread fittings with use of thread sealant is recommended. The installation of unions is recommended on the hot and cold water connections so that the water heater may be easily disconnected for servicing if necessary.

NOTE: Install a shut-off valve in the cold water line near the water heater. This will enable easier service or maintenance of the unit later.

IMPORTANT: Do not apply heat to the HOT or COLD water connections. If sweat connections are used, sweat tubing to adapter before fitting the adapter to the cold water connections on heater. Any heat applied to the hot or cold water connection will permanently damage the internal plastic lining in these ports.

TYPICAL INSTALLATION



Installation Instructions

RELIEF VALVE

⚠ WARNING *Risk of Unit Damage* - The pressure rating of the relief valve must not exceed 150 PSI (1.03 kPa), the maximum working pressure of the water heater as marked on the rating plate.

A new combination temperature and pressure-relief valve, complying with the Standard for Relief Valves and Automatic Gas Shut-Off Devices for Hot Water Supply Systems, ANSI Z21.22, is supplied and must remain installed in the opening provided and marked for the purpose on the water heater. No valve of any type should be installed between the relief valve and the tank. Local codes shall govern the installation of relief valves.

The BTUH rating of the relief valve must not be less than the input rating of the water heater as indicated on the rating label located on the front of the heater (1 watt=3.412 BTUH).

Connect the outlet of the relief valve to a suitable open drain so that the discharge water cannot contact live electrical parts or persons and to eliminate potential water damage.

Piping used should be of a type approved for hot water distribution. The discharge line must be no smaller than the outlet of the valve and must pitch downward from the valve to allow complete drainage (by gravity) of the relief valve and discharge line. The end of the discharge line should not be threaded or concealed and should be protected from freezing. No valve of any type, restriction or reducer coupling should be installed in the discharge line.

⚠ CAUTION

To reduce the risk of excessive pressures and temperatures in this water heater, install temperature and pressure protective equipment required by local codes and no less than a combination temperature and pressure relief valve certified by a nationally recognized testing laboratory that maintains periodic inspection of production of listed equipment or materials, as meeting the requirements for Relief Valves and Automatic Gas Shutoff Devices for Hot Water Supply Systems, ANSI Z21.22. This valve must be marked with a maximum set pressure not to exceed the marked maximum working pressure of the water heater. Install the valve into an opening provided and marked for this purpose in the water heater, and orient it or provide tubing so that any discharge from the valve exits only within 6 inches above, or at any distance below, the structural floor, and does not contact any live electrical part. The discharge opening must not be blocked or reduced in size under any circumstances.

TO FILL THE WATER HEATER

⚠ WARNING *Risk of Unit Damage* - The tank must be full of water before heater is turned on. The water heater warranty does not cover damage or failure resulting from operation with an empty or partially empty tank.

Make certain the drain valve is completely closed. Open the shut-off valve in the cold water supply line. Open each hot water faucet slowly to allow the air to vent from the water heater and piping. A steady flow of water from the hot water faucet(s) indicates a full water heater.

F11" fault code during installation: If the unit is powered on without a full tank, the error code "F11" will show in the display. Turn off the power, fill the tank with water (see above), then turn the power back on.

Note: the DRY TANK DETECTION feature on tank is for the aid of installer and should NOT be used as the primary control to prevent operation with an empty or partially filled tank. Power should NEVER be applied to the water heater until installer has verified tank is filled and all air has been purged from system.

⚠ NOTICE

Do not mis-wire electrical connections. 240VAC or 208VAC must be applied across L1 and L2 wires as shown in 'Water heater junction box' illustration. Failure to do so will VOID the warranty, and can result in 120V applied to water heater, which may damage the compressor or other electrical components.

If a 4-conductor wire is supplied to the water heater, cap the neutral, and connect the remaining wires as illustrated.

NOTE REGARDING UTILITY POWER-MANAGEMENT DEVICES (Sometimes called Peak Load Reduction Switches):

Some power-management switching devices or even some basic timer switches exist that REDUCE voltage from 240V to 120V during high-electricity-demand periods. These devices must be removed from the circuit providing power to the water heater because of the potential unit damage noted above.

However, switching devices which cut power from 240V to 0V on a periodic basis are acceptable.

"bAd linE" fault code during installation: If "bAd linE" is shown on the display, the unit is not receiving the correct voltage as a result of incorrect wiring. To correct this fault, turn the power off to the unit, correct the wiring issue, then turn the power back on.

Installation Instructions

ELECTRICAL CONNECTIONS

A separate branch circuit with copper conductors, overcurrent protective device and suitable disconnecting means must be provided by a qualified electrician.

All wiring must conform to local codes or latest edition of National Electrical Code ANSI/NFPA 70.

The water heater is completely wired to the junction box at the top of the water heater. An opening for 1/2" electrical fitting is provided for field wiring connections.

The voltage requirements and wattage load for the water heater are specified on the rating label on the front of the water heater.

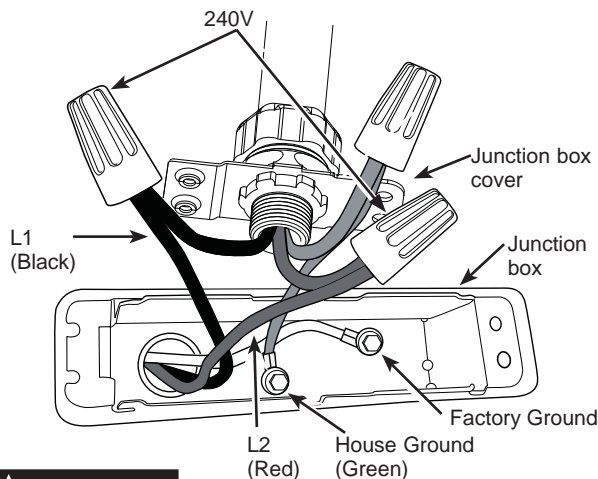
The branch circuit wiring should include either:

1. Metallic conduit or metallic sheathed cable approved for use as a grounding conductor and installed with fittings approved for the purpose.
2. Nonmetallic sheathed cable, metallic conduit or metallic sheathed cable not approved for use as a ground conductor shall include a separate conductor for grounding. It should be attached to the ground terminals of the water heater and the electrical distribution box.

To connect power to the water heater:

1. Turn the power off.
2. Remove the screw/screws holding the junction box top cover.
3. Install L1 to L1, L2 to L2 and ground to the green ground wire connected to the bottom of the junction box.

NOTE: Install electric connections according to local codes or latest edition of National Electrical Code ANSI/NFPA 70.



⚠ WARNING Proper ground connection is essential. The presence of water in the piping and water heater does not provide sufficient conduction for a ground. Nonmetallic piping, dielectric unions, flexible connectors, etc., can cause the water heater to be electrically isolated. Do not disconnect factory ground.

The manufacturer's warranty does not cover any damage or defect caused by installation, attachment or use of any type of energy-saving or other unapproved devices (other than those authorized by the manufacturer) into, onto or in conjunction with the water heater. The use of unauthorized energy-saving devices may shorten the life of the water heater and may endanger life and property.

The manufacturer disclaims any responsibility for such loss or injury resulting from the use of such unauthorized devices.

If local codes require external application of insulation blanket kits, the manufacturer's instructions included with the kit must be carefully followed.

Application of any external insulation, blankets or water pipe insulation to this water heater will require careful attention to the following:

- Do not cover the temperature and pressure-relief valve.
- Do not cover access panels to the heating elements.
- Do not cover the electrical junction box of the water heater.
- Do not cover the operating or warning labels attached to the water heater or attempt to relocate them on the exterior of the insulation blanket.
- Do not block the air inlet/outlets in the top covers or rear of the unit.

NOTE: This guide recommends minimum branch circuit sizing based on the National Electric Code. Refer to wiring diagrams in this manual for field wiring connections.

BRANCH CIRCUIT SIZING GUIDE

Total Water Heater Wattage	Recommended Over-Current Protection (fuse or circuit breaker amperage rating)			
	208V	240V	277V	480V
3,000	20	20	15	15
4,000	25	25	20	15
4,500	30	25	25	15
5,000	30	30	25	15
5,500	35	30	25	15
6,000	40	35	30	20
8,000	50	45	40	25
9,000	–	50	45	25
10,000	–	–	50	30
11,000	–	–	50	30
12,000	–	–	–	35

Total Water Heater Wattage	Copper Wire Size AWG Based on N.E.C. Table 310-16 (167°F/75°C.)			
	208V	240V	277V	480V
3,000	12	12	14	14
4,000	10	10	12	14
4,500	10	10	10	14
5,000	10	10	10	14
5,500	8	10	10	14
6,000	8	8	10	12
8,000	8	8	8	10
9,000	–	8	8	10
10,000	–	–	8	10
11,000	–	–	8	10
12,000	–	–	–	8

Installation Instructions

INSTALLATION CHECKLIST

- 1. Tank location:**
 - Does room size require louvered door, ducting kit, or similar ventilation? 10' x 10' x 7' (700 cu.ft./19.8 cu.m.) or 240 square inches (0.15 m²) open air-flow area needed.
 - Back of unit **away from wall** by 7 inches (17.5 cm), and sides have at least 7 inches (17.5 cm) clearance. (6 inches (15.2 cm) clearance for earthquake strap installations, with additional clearance on the opposite side of the unit.)
 - **Front** of unit is free and clear.
 - Is the water heater **level**? If no, add shims under the base of the unit to ensure proper function of sensors.
- 2. Verify Air Filter** is installed. (Located in packaging).
- 3. Plumbing connections:**
 - (700 cu.ft. / 19.8 cu.m.) or 240 square
 - Does not prevent **air filter** removal.
 - No leaks after **filling** the tank with water, either when water is flowing or not.
- 4. Condensate lines are in place:**
 - Main flexible or rigid drain line installed and directed to a drain or condensate pump. Reducer fittings are not recommended.
- 5. Temperature and pressure-relief valve** is working and drain line completed per local code.
- 6. Electrical** verify 208/240 VAC to L1 and L2 at tank.
- 7. Electrical** connection does not prevent air filter removal.
- 8. Verify control panel** displays 120°F (49°C) Hybrid mode. Assist user in how to adjust temperature and modes (see “Water Temperature Adjustment” section on page 4).

WHAT TO EXPECT FOR “NORMAL STARTUP” IN HYBRID MODE

After the unit has been installed, with all electrical and water connections secure and checked, then the unit should be filled with water (vent tank by opening a hot water faucet somewhere in home to allow tank to fully fill with water). Once tank is full and power is energized, you may experience the following:

Elapsed Time	HEWH Actions	Comments
0 to 2 minutes	Unit will go through self-check. Fan will turn on after 1 minute.	This 2-minute off-time prevents compressor damage. A clicking noise may be heard during startup.
2 to 22 minutes	Compressor turns on. Fan continues to run.	This 20-minute period is used to ensure the tank is full of water (Dry-fire prevention algorithm).
22 minutes and beyond	Compressor turns off (Fan will run for 20 minutes after any compressor operation). Normal heating operation resumes.	The water heater is operating in Hybrid mode. Quickly provides initial amount of hot water with heating elements, then switches to efficient heat pump for majority of heating.

NOTE: The heat pump operating range is 35°F to 120°F (2°C to 49°C). If the ambient temperature is outside of this range, the heat pump will turn off and the electric elements will be used until the ambient temperature returns to within the operating range.

Frequently Asked Questions

Filter:

Q: Why is there a filter?

A: In Hybrid and Heat Pump the unit moves air through the system. The filter protects the unit from dirt. A clean air filter improves efficiency.

Q: How to clean the filter?

A: Leave power on and remove filter from top of unit. Filter can be vacuumed clean or rinsed with warm water. Once cleaned, reset the alarm by pressing and holding the Filter button. A dirty filter will reduce water heater efficiency!

Modes:

Q: What is Heat Pump?

A: Heat Pump is the most-efficient mode. It takes heat from the air to heat water, thereby cooling the surrounding air. Slower recovery but most-efficient mode.

Q: What is Hybrid?

A: The Hybrid mode combines benefits of Heat Pump with the speed and power of Standard Electric. This provides great performance with less energy.

Q: What is High Demand/Boost?

A: High Demand/Boost can be used when hot water usage is higher than normal. The unit will be less efficient but will heat water faster in response to long water draws. For all normal draws, the unit will still use the efficient Heat Pump the majority of the time.

Q: What is Vacation mode?

A: If you are gone for an extended period, this mode lowers the water temperature to reduce energy used. Unit will switch to the previous mode one day before you get back.

Q: What is Electric/Standard ?

A: Electric/Standard mode uses only the resistance heaters to heat the water. This gives faster hot water recovery than Hybrid mode, but uses more energy. This mode operates without the fan, stopping the cool air normally discharged during heat pump operation.

Q: Why does the Electric/Standard green LED flash ?

A: In this mode the green LED light will flash after 48 hours as an indication that the unit is not operating in the most energy efficient mode.

Operation:

Q: Why can I hear the unit run?

A: In the most energy-efficient modes, Heat Pump, Hybrid, and High Demand/Boost, the method used to heat the water uses a fan that can be heard while running.

Q: The heat pump is not running its normal length of time. What causes this?

A: Under some conditions, the GeoSpring™ Hybrid Water Heater will operate using the electric elements instead of the heat pump to protect your unit and ensure hot water is available to you. These conditions include extreme cold ambient temperature (<35°F), extreme hot ambient temperatures (>120°F), or very low voltage conditions. The unit will return to normal operation when conditions permit.

Q: Why is one of the operating mode LEDs flashing?

A: In Hybrid Mode and High Demand/Boost Mode, the Electric/Standard Mode LED will flash anytime the heating elements are active, such as during the initial recovery from a large draw. In Electric/Standard Mode, the operating mode LED will flash after 48 hours as an indication that the unit is not operating in the most energy efficient mode. These are both normal conditions and do not indicate an operating issue.

Q: Why isn't the temperature setting always displayed on the control?

A: The display screen will go blank after a period of inactivity in order to conserve energy. Pressing any button will wake the control and display the temperature setpoint.

Anode Rod:

Q: What does an anode rod do?

A: The anode rod provides protection against corrosion of the water heater tank. The anode rod must be replaced before it is consumed and no longer offering protection against corrosion.

Q: How to change the anode rod?

A: Refer to page 12. Models equipped with an anode depletion sensing feature require a unique anode that can be ordered through GE Appliances Service.

Q: What can I do about a sulphur smell coming only from my hot water?

A: Some areas have water conditions that may cause an odor to develop in the water heater. Aluminum-Zinc alloy replacement rods are available to address the condition. See page 11 for details.

Troubleshooting

Before you call for service....

Save time and money! Review the chart below first and you may not need to call for service.

⚠ CAUTION For your safety, DO NOT attempt repair of electrical wiring, controls, heating elements or other safety devices. Refer repairs to qualified service personnel.

Problem	Possible Causes	What To do
OPERATION AND PERFORMANCE		
Not enough or no hot water	Water temperature may be set too low	<ul style="list-style-type: none"> • See the <i>Water Temperature Adjustment</i> and <i>Water Heater Capacity</i> sections. (Pages 4 & 5)
	Hot water usage pattern exceeds the capability of the water heater in current mode	<ul style="list-style-type: none"> • Change to different mode. • Wait for the water heater to recover after an abnormal demand.
	Cold water inlet temperature may be colder during the winter months	<ul style="list-style-type: none"> • This is normal. The colder inlet water takes longer to heat. • Consider increasing the set temperature as described in the <i>Water Temperature Adjustment</i> section.
	Leaking or open hot water faucets	<ul style="list-style-type: none"> • Make sure all faucets are closed.
	Long runs of exposed pipe, or hot water piping on outside wall	<ul style="list-style-type: none"> • Insulate piping.
	Not enough clearance to allow air to circulate for the heat pump	<ul style="list-style-type: none"> • Make sure unit is 7" away from the wall and has 8" clearance above the air filter.
	Room is too small or too cool, slowing heating performance	<ul style="list-style-type: none"> • Smaller rooms can lead to cooler room temperatures due to the heat pump cooling the air. If the room is smaller than 700cu.ft. (10'x10'x7'), install louvered doors or similar ventilation. • Cooler room temperatures can cause the water heater to take longer to fully recover to the set temperature. Consider increasing the set temperature as described in the <i>Water Temperature Adjustment</i> section.
	A fuse is blown, circuit breaker tripped, or electric service to your home may be interrupted	<ul style="list-style-type: none"> • Replace fuse or reset circuit breaker. • Contact the local electric utility.
	Inadequate wiring	<ul style="list-style-type: none"> • See the <i>Installation Instructions</i>.
	Manual reset limit (TCO)	<ul style="list-style-type: none"> • See the <i>Safety Controls</i> section, see page 4.
Water is too hot	Water Connections to unit reversed	<ul style="list-style-type: none"> • Correct piping connections.
	Recirculating System Interference (if installed)	<ul style="list-style-type: none"> • Check flow rate is not set too high. • Insulate piping
	Water temperature is set too high	<ul style="list-style-type: none"> • See the <i>Water Temperature Adjustment</i> section.
Water heater is making the room cooler	Electric control has failed	<ul style="list-style-type: none"> • Call for service.
	Room is not vented properly or is too small	<ul style="list-style-type: none"> • If the room is smaller than 700cu.ft. (10'x10'x7') then it must have a louvered door or other means to allow air exchange with surrounding rooms.
	Heat is removed from the air to heat the water	<ul style="list-style-type: none"> • This is normal.

Troubleshooting

Problem	Possible Causes	What To do
CONTROL PANEL		
<i>The heater is beeping and the display says F11</i>	The water heater has not been filled with water before powering up. Powering up the heater without water will damage the electric heaters. The water heater warranty does not cover damage or failure resulting from operation with an empty or partially empty tank.	<ul style="list-style-type: none"> Fill the tank completely with water. Press ENTER to stop the alarm and then cycle power when the tank has been filled. If the unit has been confirmed to be filled with water, and an F11 code is experienced, it is possible that the code may be a false indicator due to certain unique environment conditions encountered during the start up. If the unit is full of water, turn the breaker off for about 10 minutes to allow the water temperature to stabilize, then turn the breaker back on. If the F11 code persists, schedule GE Appliances Service.
<i>The heater is beeping, the anode light is on (on some models), and the display says F16</i>	The anode rod is approaching end of life and it is recommended to replace it in order to continue to offer protection from corrosion.	<ul style="list-style-type: none"> Call for service or follow the instructions on how to replace the anode rod on page 12. Ensure that the anode depletion sensing anode rod or other GE Appliances approved anode rod is installed. Installation of an unapproved anode rod will VOID the warranty.
<i>The heater is beeping and the display says "F17"</i>	The anode rod is not connected properly and the water heater may not be protected from corrosion.	<ul style="list-style-type: none"> Check that the tank is filled completely with water. If the tank is full of water and the F17 code persists, contact GE Appliances service. Press anode button to silence alarm.
<i>The green mode indicator light is flashing</i>	Normal operation	<ul style="list-style-type: none"> In Hybrid Mode and High Demand/Boost Mode, the Electric/Standard Mode LED will flash anytime the heating elements are active. In Electric/Standard Mode, the operating mode LED will flash after 48 hours as an indication that the unit is not operating in the most energy efficient mode. These conditions are normal and do not indicate an operating issue.
<i>The filter light is on</i>	The filter requires cleaning. A clean filter is necessary for effective operation.	<ul style="list-style-type: none"> Follow the instructions on how to remove and clean the filter on page 10. Repeated dirty filter alarms that do not resolve by cleaning the filter may be an indication of a sealed system failure. Contact service.
<i>The heater is beeping and the screen flashes, "bAdlinE"</i>	Unit is not receiving 240VAC as intended	<ul style="list-style-type: none"> Turn off power to water heater (generally at the breaker panel). Then read <i>Electrical Connections</i> section of the Installation Instructions, see page 16. Then contact the installer to verify electrical input to the water heater.
<i>The heater is beeping and the screen displays an error code</i>	Heat pump system issue, codes "FA"- "F8"; Control or other issue, codes "F9"- "F23"	<ul style="list-style-type: none"> The water heater may automatically switch to another available heating mode to ensure continued availability of hot water. Contact service immediately and give them the codes listed on the display screen. To quiet the beeping, press either the UP or DOWN arrow button.
OTHER		
<i>Water heater makes sounds</i>	<p>A fan is used to move air through the system</p> <p>The EEV valve makes clicking noises upon power up</p>	<ul style="list-style-type: none"> Some amount of fan sound is normal. If you hear an abnormal sound or the sound level seems unusually loud (ex, louder than a window A/C), then contact service. This is normal.
<i>Unit is not making normal sounds</i>	If unit is using electric resistance elements, it will not make fan or compressor sounds.	<ul style="list-style-type: none"> Check mode of unit.
<i>Rumbling noise</i>	Water conditions in your home caused a buildup of scale or mineral deposits on the heating elements	<ul style="list-style-type: none"> Remove and clean the heating elements. This should only be done by a qualified service person.
<i>Water dripping down the outside of the heater</i>	Condensate drain is clogged	<ul style="list-style-type: none"> Clear out any debris in the drain port on the unit.
<i>Relief valve producing popping sound or draining</i>	Hot/Cold water connections or other parts have loosened	<ul style="list-style-type: none"> Tighten the loose connections. This should only be done by a qualified service person.
<i>Hot water has a rotten egg or sulfur smell</i>	Pressure buildup caused by thermal expansion to a closed system	<ul style="list-style-type: none"> This is an unacceptable condition and must be corrected. See <i>Thermal Expansion</i> section on page 14. Do not plug the relief valve outlet. Contact a plumbing contractor to correct this.
<i>Hot water has a rotten egg or sulfur smell</i>	Certain water supplies with high sulfate content will react with the anode rod that is present in all water heaters for corrosion protection of the tank	<ul style="list-style-type: none"> The odor can be reduced or eliminated in most water heaters by replacing the anode rod with less-active material rod. In some cases, an added step of chlorinating the water heater and all hot water lines may be necessary, contact your local water professional or plumber for options and instructions. Call 1.888.4GE.HEWH (1.888.443.4394) to learn how to purchase this replacement anode rod. A qualified servicer or plumber should do this replacement. Use of a non-GE Appliances approved anode rod, or operating the water heater without a GE Appliances approved anode rod will VOID the warranty.

Fault Codes

Fault Code Displayed	Condition	Action
F-C	Evaporator Not Frost Free. Probable refrigerant leak.	Call service**
F-D	Superheat Too Low. Possible refrigerant leak.	Call service**
F-E	Discharge Temperature Above Limit. Possible refrigerant leak.	Call service**
F-F	Electronic Expansion Valve Out of Range. Probable refrigerant leak.	Call service**
F-G	T5 Ambient Temperature Check	Technician service data
F-I	Refrigerant Leak Test. Probable refrigerant leak.	Call service**
F-J	Concurrent Load High Current	Call service
F-L	Evaporator Not Defrosting	Call service
F2	T2 Tank Temperature Sensor Failure	Call service
F3	Compressor Failure	Call service
F4	Fan Failure	Call service
F5	T3a Sensor (Evap inlet temperature) Failure	Call service
F6	T3b Sensor (Evap outlet temperature) Failure	Call service
F7	T4 Sensor (Compressor outlet) Failure	Call service
F8	T5 Sensor (ambient temperature) Failure	Call service
F9	Lower Heating Element Failure	Call service
F10	Upper Heating Element Failure	Call service
F11	Dry Tank Fault	See page 15
bAd linE (F12)	The voltage is too low at power-up	See page 15
F13	Stuck Key Fault	Call service
Dirty Filter (F14)	Filter is dirty. If fault repeats after clearing, probable refrigerant leak.	See page 10
F15	DataFlash Fault	Call service
F16*	Anode Rod Depleted	Call service, see page 11
F17*	Empty Tank or Anode Rod Wired Incorrectly	Call service
F18	Current Transformer Wired Incorrectly	Call service
F19	Low Line Voltage	Technician service data
F20	Condensate Drain Pan Port Clogged	See page 10
F21	Application Update Failure	Call service
F22	Parametric Data Updated Failure	Call service
F23	Micro A/D Failure	Call service

* Some Models

**Service technicians should use TB01-16 to check for leaks.

GE Appliances Hybrid Water Heater Warranty

All warranty service provided by our Authorized Servicer Network. To schedule service, call 888.4GE.HEWH (888.443.4394). Please have serial number and model number available when calling for service.

For The Period Of: **We Will Replace:**

<p>One Year From the date of the original purchase</p>	<p>Any part of the Hybrid Water Heater which fails due to a defect in materials or workmanship. During this limited one-year warranty, GE Appliances will also provide, free of charge, all labor and related service to replace the defective part.</p>
---	---

<p>Second through Tenth Year From the date of the original purchase</p>	<p>Any part of the Hybrid Water Heater which fails due to a defect in materials or workmanship. During this limited ten-year parts warranty, labor and related service to replace the defective part are not included.</p>
--	--

What Is Not Covered:

- Service trips to your home to teach you how to use the product.
- Improper installation, delivery or maintenance.
- Failure of the product if it is abused, misused, altered, used commercially or used for other than the intended purpose.
- Use of this product where water is microbiologically unsafe or of unknown quality, without adequate disinfection before or after the system.
- Replacement of house fuses or resetting of circuit breakers.
- Damage to the product caused by accident, lightning, fire, flood or acts of God.
- Incidental or consequential damage caused by possible defects with this appliance, its installation or repair.
- Product not accessible to provide required service in a safe manner. Attic installation must have flooring and accessible stairs.
- If product removed from original installation location.
- If product or other appliance must be moved for service access.
- Damages, malfunctions or failure caused by the use of repair service not approved by GE Appliances.
- Damages, malfunctions or failure caused by the use of unapproved parts or components.
- Damages, malfunctions or failure caused by operating the heat pump water heater with the anode rod removed.
- Anode Rod consumption and replacement.
- Damages, malfunctions or failure resulting from operating the heat pump with an empty or partially empty tank.
- Damages, malfunctions or failure caused by subjecting the tank to pressure greater than those shown on the rating label.
- Damages, malfunctions or failure caused by operating the heat pump water heater with electrical voltage outside the voltage range listed on the rating label.
- Water heater failure due to the water heater being operated in a corrosive atmosphere.
- If this Hybrid Water Heater is used for other than residential private family use, labor will not be covered under warranty, and the parts warranty is reduced to 1 year from the date of purchase.

EXCLUSION OF IMPLIED WARRANTIES—Your sole and exclusive remedy is product repair as provided in this Limited Warranty. Any implied warranties, including the implied warranties of merchantability or fitness for a particular purpose, are limited to one year or the shortest period allowed by law.

This warranty is extended to the original purchaser and any succeeding owner for products purchased for home use within the USA. If the product is located in an area where service by a GE Appliances Authorized Servicer is not available, you may be responsible for a trip charge or you may be required to bring the product to an Authorized GE Appliances Service location for service. In Alaska, the warranty excludes the cost of shipping or service calls to your home.

Some states do not allow the exclusion or limitation of incidental or consequential damages. This warranty gives you specific legal rights, and you may also have other rights which vary from state to state. To know what your legal rights are, consult your local or state consumer affairs office or your state's Attorney General.

For product purchased outside of the US, contact your dealer for Warranty and Service information.

Warrantor for Products Purchased in the United States: GE Appliances

Staple your receipt here. Proof of the original purchase date is needed to obtain service under the warranty.

Consumer Support

GE Appliances Website

Have a question or need assistance with your appliance? Try the GE Appliances Website 24 hours a day, any day of the year! You can also shop for more great GE Appliances products and take advantage of all our on-line support services designed for your convenience. In the US: GEAppliances.com

Register Your Appliance

Register your new appliance on-line at your convenience! Timely product registration will allow for enhanced communication and prompt service under the terms of your warranty, should the need arise. You may also mail in the pre-printed registration card included in the packing material. In the US: GEAppliances.com/register

Schedule Service

Expert GE Appliances repair service is only one step away from your door. Get on-line and schedule your service at your convenience any day of the year. In the US: GEAppliances.com/ge/service-and-support/service.htm or call 800.432.2737 during normal business hours.

Extended Warranties

Purchase a GE Appliances extended warranty and learn about special discounts that are available while your warranty is still in effect. You can purchase it on-line anytime. GE Appliances Services will still be there after your warranty expires. In the US: GEAppliances.com/ge/service-and-support/shop-for-extended-service-plans.htm or call 800.626.2224 during normal business hours.

Remote Connectivity

For assistance with wireless network connectivity (for models with remote enable), visit our website at GEAppliances.com/ge/connected-appliances/ or call 800.220.6899 in the US.

Parts and Accessories

Individuals qualified to service their own appliances can have parts or accessories sent directly to their homes (VISA, MasterCard and Discover cards are accepted). Order on-line today 24 hours every day. In the US: GEApplianceparts.com or by phone at 877.959.8688 during normal business hours.

Instructions contained in this manual cover procedures to be performed by any user. Other servicing generally should be referred to qualified service personnel. Caution must be exercised, since improper servicing may cause unsafe operation.

Contact Us

If you are not satisfied with the service you receive from GE Appliances, contact us on our Website with all the details including your phone number, or write to:

In the US: General Manager, Customer Relations | GE Appliances, Appliance Park | Louisville, KY 40225
GEAppliances.com/ge/service-and-support/contact.htm



Hybride électrique pour usage domestique **GeoSpring™**
CHAUFFES-EAU

**INFORMATION IMPORTANTE
SUR LA SÉCURITÉ**3

CONSIGNES D'UTILISATION

Informations relatives
 au dimensionnement5
Commandes6
Modes de fonctionnement7
Module ConnectPlus8

ENTRETIEN ET NETTOYAGE ... 9

**INSTRUCTIONS
D'INSTALLATION** 13

CONSEILS DE DÉPANNAGE ... 19
Codes d'erreur22

GARANTIE23

SERVICE À LA CLIENTÈLE 24

**MANUEL
D'UTILISATION**

GEH50DEEJS
GEH50DFEJS
GEH80DEEJS
GEH80DFEJS

Inscrivez les numéros de modèle
et de série ici :

No de modèle _____

No de série _____

Vous trouverez ces numéros sur
l'étiquette apposée à l'avant de
votre chauffe-eau.

NOUS VOUS REMERCIONS D'ACCUEILLIR GE APPLIANCES CHEZ VOUS

Que vous ayez grandi avec GE Appliances ou qu'il s'agisse de votre première acquisition, nous sommes heureux de vous accueillir dans notre famille.

Nous sommes fiers du savoir-faire, de l'innovation et de l'esthétique qui composent chaque appareil GE Appliances, et nous pensons que vous le serez aussi. Dans cette optique, nous vous rappelons que l'enregistrement de votre électroménager vous assure la communication de renseignements importants sur le produit et la garantie lorsque vous en avez besoin.

Enregistrez votre électroménager GE en ligne dès maintenant. Des sites Web et des numéros de téléphone utiles figurent dans la section Soutien au consommateur de ce manuel d'utilisation. Vous pouvez aussi poster la fiche de garantie pré-imprimée incluse dans l'emballage.



GE APPLIANCES

INSTRUCTIONS IMPORTANTES DE SÉCURITÉ

LISEZ TOUTES LES INSTRUCTIONS AVANT UTILISANT LA APPAREIL

⚠ AVERTISSEMENT

Pour votre sécurité, vous devez suivre les instructions contenues dans ce manuel pour réduire les risques d'incendie ou d'explosion, d'électrocution ou pour prévenir les dommages matériels, les blessures ou la mort.

Assurez-vous de lire et de comprendre tout le manuel de l'utilisateur avant de tenter d'installer ou de faire fonctionner ce chauffe-eau. Vous sauvez du temps et de l'argent. Accordez une attention toute particulière aux directives de sécurité. Tout manquement à ces avertissements peut occasionner des blessures graves ou la mort. Si vous avez de la difficulté à comprendre les instructions contenues dans ce manuel ou si vous avez des questions, ARRÊTEZ et demandez de l'aide à un technicien qualifié ou à votre fournisseur d'électricité.

⚠ AVERTISSEMENT

Risque d'incendie - NE stockez PAS et N'utilisez PAS d'essence ou d'autres vapeurs et liquides inflammables à proximité de cet appareil ou de tout autre. Gardez les chiffons et combustibles à l'écart.

⚠ AVERTISSEMENT

Si le chauffe-eau a été soumis à une inondation, un incendie ou à des dommages matériels, coupez l'alimentation du chauffe-eau en électricité et en eau.

Ne pas utiliser le chauffe-eau tant qu'il n'a pas été complètement vérifié par un technicien de service qualifié.

Précautions de sécurité

A. Coupez l'alimentation au chauffe-eau si celui-ci a été soumis à une surchauffe, un incendie, une inondation ou des dommages physiques.

B. Ne rallumez pas le chauffe-eau s'il n'est pas rempli pas d'eau.

C. Ne rallumez pas le chauffe-eau si le robinet d'alimentation d'eau froide est fermé.

REMARQUE : Des vapeurs inflammables provenant des zones environnantes peuvent être amenées par des courants d'air jusqu'au chauffe-eau.

D. Si vous éprouvez des difficultés à comprendre les instructions d'utilisation suivantes ou la section d'entretien et nettoyage, nous vous suggérons de faire appel à une personne qualifiée pour accomplir le travail. the work.

⚠ ATTENTION

Risque d'incendie - L'essence ainsi que d'autres substances et liquides inflammables (adhésifs, solvants, etc.) et les émanations qu'ils produisant sont extrêmement dangereux. NE PAS manipuler, utiliser ou entreposer de l'essence ou d'autres substances inflammables ou combustibles près d'un chauffe-eau. L'arc électrique à l'intérieur de la commande du chauffe-eau peut allumer ces émanations. Le manquement à cette directive peut entraîner des dommages matériels, des blessures ou la mort.

⚠ POUR INSTALLATIONS DANS L'ÉTAT DE CALIFORNIE

Les lois de la Californie exigent que les chauffe-eau résidentiels soient fixés, ancrés ou attachés pour qu'ils ne tombent pas et qu'ils résistent aux mouvements horizontaux causés par les tremblements de terre. Pour les chauffe-eau résidentiels d'une capacité inférieure à 197 litres (52 gallons), vous pouvez vous procurer une brochure avec des instructions génériques de fixation pour les tremblements de terre en vous adressant à : Office of the State Architect, 400 P Street, Sacramento, CA 95814 ou vous pouvez téléphoner au 916.324.5315 ou demander à un distributeur de chauffe-eau.

Cependant, ce sont les codes municipaux applicables qui régissent l'installation. Pour les chauffe-eau résidentiels d'une capacité supérieure à 197 litres (52 gallons), adressez-vous aux autorités municipales pour connaître les procédures de fixation acceptables.

⚠ AVERTISSEMENT

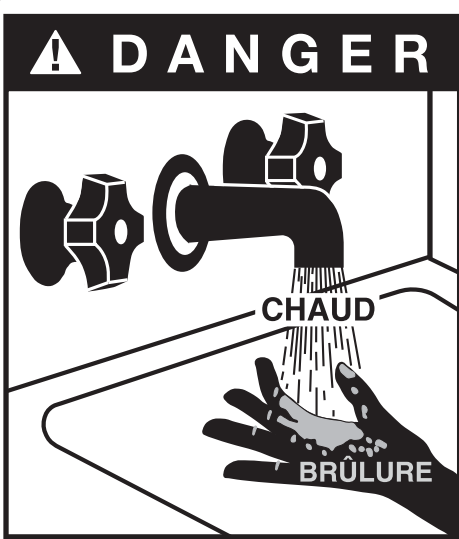
Avertissement en vertu de la Proposition 65 de la Californie

Ce produit contient des produits chimiques connus dans l'État de Californie comme causant le cancer, les malformations et autres défauts de naissance.

LIRE ET CONSERVER CES INSTRUCTIONS

INSTRUCTIONS IMPORTANTES DE SÉCURITÉ

LISEZ TOUTES LES INSTRUCTIONS AVANT UTILISANT LA APPAREIL



L'eau à une température supérieure à 52 °C (125 °F) peut causer instantanément des brûlures graves ou la mort par ébullition.

Le réglage de la commande électronique de température est habituellement proche de la température de l'eau au robinet. Toutefois, certains facteurs peuvent causer une hausse de la température de l'eau pouvant aller jusqu'à 71 °C, peu importe le réglage de la commande. Touchez toujours l'eau avant de vous baigner ou de prendre votre douche.

Les enfants et les personnes handicapées ou âgées sont plus à risque de s'ébouillanter.

Consultez les instructions contenues dans ce manuel avant de régler la température du chauffe-eau.

Touchez l'eau avant de vous baigner ou de prendre votre douche.

Des valves de limitation de la température sont vendues; consultez ce manuel.

RÉGLAGE DE LA TEMPÉRATURE DE L'EAU

La sécurité et la conservation de l'énergie sont des facteurs à considérer lors du réglage de la température de l'eau à l'aide de l'interface utilisateur du chauffe-eau. Une température de l'eau supérieure à 52 °C (125 °F) peut causer des brûlures graves ou la mort par ébullition. Assurez-vous de lire et de suivre les avertissements exposés sous l'image de l'étiquette ci-dessous. Cette étiquette est également sur le chauffe-eau près du dessus du réservoir.

Relation température/temps pour les brûlures

Température	Temps pour produire une brûlure grave
49°C (120°F)	Plus de 5 minutes
52°C (125°F)	1-1/2 à 2 minutes
44°C (130°F)	Environ 30 secondes
57°C (135°F)	Environ 10 secondes
60°C (140°F)	Moins de 5 secondes
63°C (145°F)	Moins de 3 secondes
66°C (150°F)	Environ 1-1/2 secondes
68°C (155°F)	Environ 1 seconde

Tableau courtoisie du Shriners Burn Institute

Le tableau ci-dessus peut servir de guide pour déterminer la température de l'eau de votre domicile.

⚠ DANGER Il existe une possibilité de s'ébouillanter si le chauffe-eau est réglé à une température trop élevée. Les ménages avec des petits enfants ou des personnes handicapées ou âgées peuvent nécessiter un réglage du thermostat à 49 °C (120 °F) ou moins pour prévenir le contact avec de l'eau TROP CHAUDE.

Le thermostat a été réglé à l'usine à 49 °C (120 °F) afin de réduire le risque d'ébullition. Il s'agit du réglage de température initial recommandé, mais on peut changer cette valeur entre 38 °C et 60 °C (100 °F et 140 °F).

Pour régler la température

Veillez suivre les étapes suivantes :

1. Appuyez sur les flèches vers le Haut ou le Bas sur le clavier de commande pour arriver à la température désirée.
2. Appuyez sur ENTER (Entrée) pour accepter la nouvelle valeur.

Remarque : Pour passer de °F à °C, maintenez enfoncée la touche MODE.

Commandes de sécurité

Le chauffe-eau est équipé de deux commandes de limitation de température (CLT) qui sont situées au-dessus de l'élément chauffant en contact avec la surface du réservoir. Si pour une raison quelconque, la température de l'eau devient excessivement chaude, la commande de limitation de température (CLT) coupe l'alimentation électrique de l'élément chauffant. Lorsque la commande se déclenche, elle doit être réinitialisée manuellement. La réinitialisation de la commande de limitation de température doit être effectuée par un technicien de service qualifié.

⚠ ATTENTION La cause de la température élevée doit être déterminée par un technicien qualifié et des mesures de correction doivent être prises avant la remise en service du chauffe-eau.

Pour réinitialiser la commande de limitation de température:

1. Coupez l'alimentation électrique du chauffe-eau.
2. Retirez le(s) panneau(x) d'accès et l'isolation.
Le couvercle de protection du thermostat ne doit pas être retiré.
3. Appuyez sur le bouton rouge marqué RESET (réinitialiser).
4. Remplacez l'isolant et le/les panneau(x) d'accès avant de reconnecter le chauffe-eau à l'alimentation électrique.

LIRE ET CONSERVER CES INSTRUCTIONS

Informations relatives au dimensionnement du chauffe-eau

Pour le remplacement de systèmes domestiques existants:

- **Vous remplacez un chauffe-eau existant ?** Si votre chauffe-eau actuel fournit suffisamment d'eau chaude et qu'aucune autre modification ou rénovation de la plomberie n'est effectuée ou planifiée qui pourrait augmenter la demande en eau chaude, alors:
 - Le chauffe-eau hybride GeoSpring™ peut remplacer un chauffe-eau électrique standard de taille équivalente ou inférieure
 - Si vous passez d'une alimentation au gaz à une alimentation électrique, le chauffe-eau hybride GeoSpring™ peut remplacer un chauffe-eau d'une taille immédiatement inférieure.

Pour les nouvelles installations:

Guide de sélection de la taille d'un chauffe-eau domestique			
Taille de la famille	Demande*	Capacité recommandée (gallons)	
		Électrique or GeoSpring™	Gaz
5+	Élevée	100 (378.5L)	75 (283.9L)
	Moyenne ou Faible	80 (302.8L)	50 (189.3L)
3 à 4	Élevée	80 (302.8L)	50-75 (189.3-283.9L)
	Moyenne ou Faible	50 (189.3L)	40 (151.4L)
2 à 3	Élevée	50 (189.3L)	40-50 (151.4-189.3L)
	Moyenne ou Faible	40 (151.4L)	40 (151.4L)
1 à 2	Élevée	40-50 (151.4-189.3L)	40-50 (151.4-189.3L)
	Moyenne ou Faible	30 (113.6L)	Moyenne ou Faible

*Assumptions for Avg or Low Demand household:

- Use of standard or low flow shower heads (2.5 gpm/11.4 L per minute or less)
- No showers with multiple shower heads and/or body jets.
- Standard bathtub (no oversized/jetted tubs)

Capacité du chauffe-eau et élévation du point de consigne de la température :

Le réglage de la température du chauffe-eau a une incidence importante sur la quantité d'eau disponible pour la douche et le bain.

- Les essais relatifs à la consommation et l'efficacité énergétique des chauffe-eau, modèle GeoSpring™ inclus, sont réalisés conformément aux spécifications du département de l'Énergie à la date de fabrication.
- Les règlements de sécurité exigent un réglage d'usine n'excédant pas 52 °C (125 °F) pour tout nouveau chauffe-eau. Votre nouveau chauffe-eau étant réglé à l'usine à 49 °C (120 °F), sa capacité peut sembler moindre que votre ancien chauffe-eau si ce dernier était réglé à une température plus chaude. On peut corriger cette situation en élevant le point de consigne de la température.
- Si l'on souhaite accroître la capacité d'eau chaude, une augmentation de 49 °C à 57 °C (120 °F à 135 °F) permettra au même réservoir d'eau chaude de durer 25 % plus longtemps parce que moins d'eau chaude est mélangée à la douche ou au robinet.
- L'augmentation du point de consigne de la température de l'eau peut améliorer la capacité de nettoyage des lave-vaisselle et des laveuses.
- L'utilisateur peut régler la température en fonction de ses besoins. Il importe de toujours lire et comprendre les consignes de sécurité qui figurent dans le manuel d'utilisation avant de changer le point de consigne de la température.

Robinets mélangeurs

- Des robinets mélangeurs qui réduisent la température de l'eau au point d'utilisation en mélangeant l'eau des conduites d'eau chaude et d'eau froide sont offerts dans le commerce. Contactez un plombier certifié ou une compagnie de plomberie locale pour obtenir de plus amples renseignements.

Au sujet des commandes panneau

Affichage du point de réglage de la température

La commande GeoSpring™ affiche la température à chaque fois qu'un bouton de commande est pressé. Après 30 secondes d'inactivité, l'affichage s'efface. Toutefois, le témoin lumineux indiquant le mode de fonctionnement choisi demeure allumé. Pour éveiller la commande en tout temps afin d'afficher le point de réglage de la température, appuyez sur n'importe quel bouton de la commande.

Mise en marche du chauffe-eau

Cet appareil n'a pas d'interrupteur. Une fois le chauffe-eau installé et l'alimentation électrique branchée, il sera allumé. L'affichage indiquera le réglage de température actuel de l'eau et un témoin s'allumera pour indiquer le mode de fonctionnement courant.

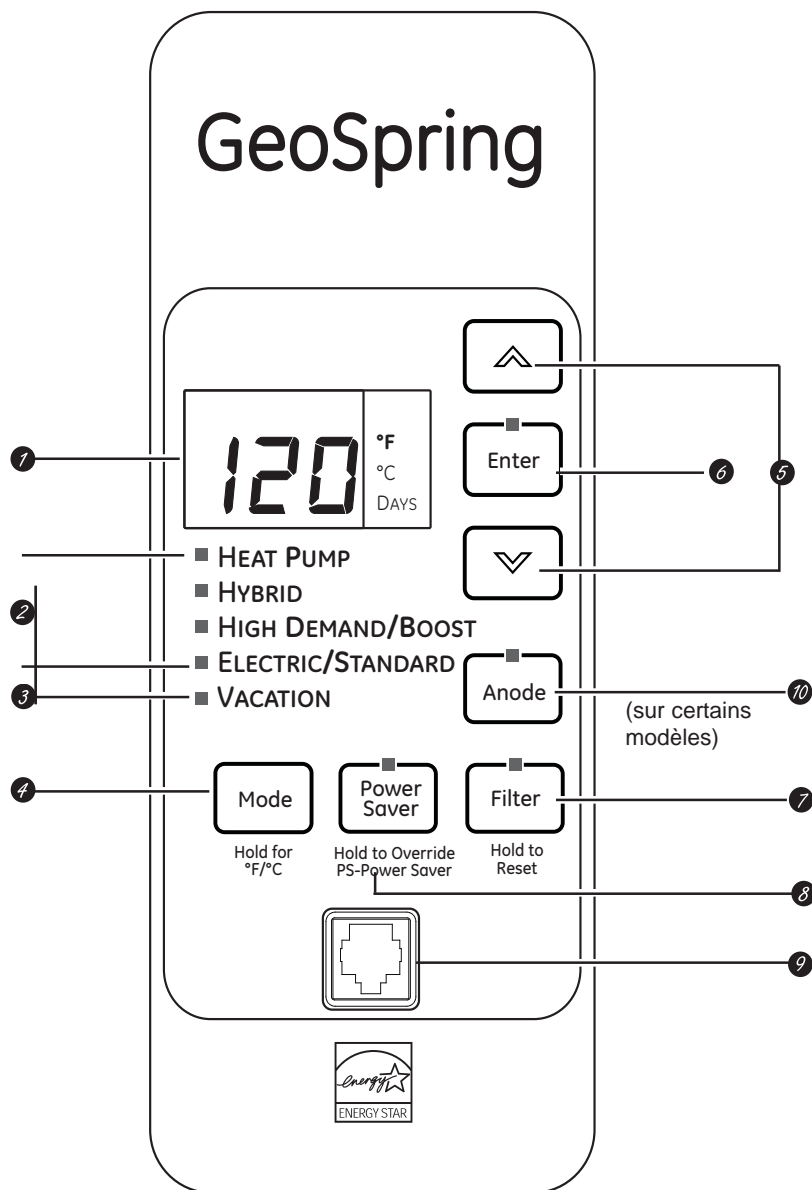
Pour se conformer aux règlements de sécurité, les commandes sont pré-réglées en usine à 120 °F (49 °C) et au mode Hybrid (Hybride). Il est recommandé que l'appareil soit mis sur le mode Thermopompe (uniquement) pour favoriser les économies d'énergie. Le fonctionnement en mode hybride permet d'équilibrer les économies d'énergie avec le confort de l'eau chaude. La consommation énergétique indiquée est basée sur le fonctionnement de l'appareil en mode Hybride dans les conditions d'essais spécifiées par le département de l'Énergie. Un réglage à une température inférieure ou une utilisation de la thermopompe permettra une économie d'énergie encore plus importante.

Pour régler la température

Veillez suivre les étapes suivantes :

1. Appuyez sur les flèches vers le Haut ou le Bas sur le clavier de commande pour arriver à la température désirée.
2. Appuyez sur ENTER (Entrée) pour accepter la nouvelle valeur.

Remarque : Pour passer de °F à °C, maintenez enfoncée la touche MODE.



Commandes Fonctions

1. **Affichage**
2. **Modes de fonctionnement**
(Voir page 7 pour la description)
3. **Vacation (Vacances)**
(Voir page 7 pour la description)
4. **Sélection du mode**
Utilisez cette touche pour passer d'un mode à un autre.
5. **Flèches**
Utilisez ces touches pour régler la température.
6. **Touche Enter**
Utilisez cette touche pour confirmer le nouveau réglage de température.
7. **Réinitialisation du filtre**
Le filtre est sale et nécessite un nettoyage lorsque le témoin rouge est allumé. Le filtre est situé sur le dessus du chauffe-eau. Appuyez et maintenez appuyée cette touche pendant 5 secondes pour réinitialiser l'alarme de filtre.
8. **Interrupteur de fonction d'économie d'énergie**
Si l'appareil est utilisé dans le cadre d'un programme de réponse à la demande géré par le fournisseur local, maintenez la pression pour sortir l'appareil du mode Économie d'énergie.
9. **Port du module de communication de l'appareil**
Pour une utilisation avec le module de communication GE ConnectPlus en option (voir page 8 pour plus d'informations).
10. **Réinitialisation de l'anode (sur certains modèles)**
Lorsque le témoin rouge est allumé, le système indique que la durée de vie de la tige d'anode approche et que son changement est recommandé. Appuyez une fois sur le bouton pour éteindre l'alarme. Appuyez et maintenez enfoncé pendant 10 secondes pour réinitialiser l'alarme d'anode après l'avoir remplacée. Appelez le service de GE pour faire remplacer la tige d'anode. La couverture de garantie sera annulée si la tige d'anode n'est pas remplacée et cette dernière pourra provoquer la fuite du réservoir. (Consultez les instructions de remplacement de la tige d'anode à la page 12. Service GE : 888 4GE-HEWH (888 443-4394).

Modes opérationnels

Ce chauffe-eau revient par défaut au mode de fonctionnement hybride.

Pour sélectionner les modes disponibles énumérés ci-dessous :

1. Appuyez sur la touche MODE jusqu'à ce que le voyant vis-à-vis du mode de fonctionnement désiré s'allume.

En mode Hybride et en mode Demande élevée/Demande optimale, le voyant du mode Électrique/Standard clignotera dès que les éléments chauffants seront activés, par exemple durant la récupération initiale suivant une demande importante. Cela est normal et n'indique pas un problème de fonctionnement.

Efficacité en climat froid

Ce chauffe-eau à thermopompe satisfait à la norme Tier 3 Advanced Water Heater Specification, v6.0 (auparavant la norme Northern Climate Specification), et peut donner lieu à des rabais dans certaines régions. La conformité avec cette norme n'exige pas un réglage CCE (Cold Climate Efficiency – Efficacité en climat froid) pour les modèles fabriqués avant 2015, par conséquent il se peut que le réglage CCE ne soit pas disponible sur votre modèle. Renseignez-vous sur les rabais et vos critères auprès de votre fournisseur d'énergie local.

Un ensemble de conduits pour votre chauffe-eau à thermopompe est offert au besoin. [Consultez le site www.geospring.com pour de plus amples renseignements].

On peut installer un ensemble de conduits pour obtenir une circulation orientée d'air entrant et sortant pour le fonctionnement de la thermopompe, ou pour l'installation du chauffe-eau dans une pièce de moins de 19,8 m³ (700 pi³) ou dépourvue de porte-persienne, tel que spécifié dans les instructions d'installation.

Mode Thermopompe - RECOMMANDE POUR DES ECONOMIES D'ENERGIE MAXIMALES

La thermopompe (uniquement) est le mode de fonctionnement le plus d'économique pour ce chauffe-eau. Il extrait la chaleur de l'air ambiant pour chauffer l'eau. Le temps de chauffage dans ce mode est plus long, donc il pourrait ne pas suffire dans une situation de demande importante (famille nombreuse ou visiteurs).

Mode Hybride

Le mode Hybride associe l'efficacité énergétique de la Thermopompe (uniquement) à la vitesse de récupération et d'alimentation du mode électrique standard (Ventilateur éteint) adapté pour la majorité des utilisations d'eau. Le mode hybride permettra à l'appareil de fonctionner comme un chauffe-eau électrique standard tout en offrant des économies d'énergie significatives.

REMARQUE : La performance, la consommation et les économies de l'appareil selon le Guide de l'énergie sont fondées sur des installations sans conduits en mode Hybride dans les conditions d'essai spécifiées par le département de l'Énergie. Le fonctionnement en mode Thermopompe peut procurer des économies supérieures en énergie et coûts de fonctionnement que ceux annoncés.

Demande élevée/Demande optimale

Ce mode est seulement nécessaire si vous consommez plus que la moyenne des gens ou si l'unité est sous-dimensionnée pour la demande en eau chaude. Dans ce mode, l'unité utilise les éléments chauffants électriques seulement lorsque la demande en eau est plus importante qu'à la normale. Avec l'utilisation des éléments chauffants, la température d'eau remontera plus rapidement, mais la consommation d'énergie sera plus importante. Contrairement au mode Électrique/Standard (ventilateur éteint), les éléments chauffants seront utilisés uniquement si nécessaire. La thermopompe sera utilisée si la demande en eau est plus faible.

REMARQUE : La différence entre le mode Hybride et le mode Demande élevée/Boost est que dans le mode à Demande élevée/Boost, les éléments chauffants sont mis en marche plus rapidement que dans le mode hybride.

Mode Électrique/Standard

Ce mode utilise uniquement les éléments chauffants supérieurs et inférieurs pour chauffer l'eau, l'arrêt du refoulement d'air frais pendant le fonctionnement de la thermopompe. Le temps nécessaire pour chauffer l'eau est moindre dans ce mode, mais ce mode est le plus énergivore.

Suivez ces étapes pour régler le mode Électrique/Standard :

1. Sélectionnez le mode Électrique/Standard à l'aide du bouton Mode.
2. Entrez le nombre total de jours pour demeurer en mode Électrique/Standard à l'aide de la flèche HAUT. La valeur par défaut est 3 jours, maximum de 99 jours.
3. Appuyez sur ENTER (Entrée).

À la fin de la période sélectionnée, l'appareil reviendra au mode plus éconergétique précédemment sélectionné.

REMARQUE : Dans ce mode le voyant vert clignotera après 48 heures pour signaler que l'appareil ne fonctionne pas dans le mode le plus éconergétique. L'appareil continuera de fonctionner dans ce mode et il n'indique pas un problème de fonctionnement.

Mode Vacances

Cette fonction est utilisée lorsque vous êtes absent de votre domicile pour une durée prolongée et l'eau chaude n'est pas nécessaire. Dans ce mode, la température de l'eau descendra à 10 °C (50 °F) et l'appareil utilise le mode de chauffage le plus efficace pour économiser l'énergie lorsqu'il est au repos. L'appareil se remettra automatiquement à chauffer un jour avant votre retour pour mettre de l'eau chaude à votre disposition.

Pour régler le mode Vacances :

1. Sélectionnez Vacation (Vacances) en appuyant sur la touche MODE.
2. Entrez le nombre total de jours où vous serez absent en appuyant sur la flèche HAUT. La valeur par défaut est 7 jour, maximum 199, ou demeurez en mode Vacances indéfiniment en sélectionnant « --- ».
3. Appuyez sur ENTER (Entrée).

Par exemple, si vous serez absent durant 14 jours, réglez le mode Vacances à 14 jours en suivant les étapes ci-dessus. Le réglage de température sera automatiquement abaissé à 10 °F (50 °C) durant 13 jours. À la fin du 13e jour, le mode de fonctionnement et le réglage de température précédents seront restaurés pour vous procurer de l'eau chaude à votre retour.

Fermeture pour absence prolongée

Si le chauffe-eau n'a pas à être utilisé pendant une période prolongée, l'alimentation en électricité et en eau à l'appareil devrait être coupée et l'eau du chauffe-eau vidangée afin de réduire la consommation et d'empêcher l'accumulation de gaz hydrogène dangereux. Cet appareil n'est pas équipé d'un bouton de mise en marche, l'alimentation électrique peut uniquement être coupée par le disjoncteur ou l'interrupteur principal.

Il est recommandé de laisser le chauffe-eau sous tension et au mode de vacances si le chauffe-eau est équipé d'un capteur d'appauvrissement d'anode (certains modèles) et que le chauffe-eau ne peut pas être vidangé afin d'assurer le bon fonctionnement du capteur tout en maintenant la conservation d'énergie.

Le chauffe-eau et la tuyauterie devraient être vidangés s'il y a risque de gel.

Après une période d'arrêt prolongée, le fonctionnement et les commandes du chauffe-eau devraient être vérifiés par un technicien qualifié. Assurez-vous que le chauffe-eau est complètement rempli avant de le remettre en place.

REMARQUE : Reportez-vous à la rubrique de mise en garde relative au gaz hydrogène dans les instructions d'utilisation (voir page 3).

CONSIGNES D'UTILISATION

Module ConnectPlus (là où installé)

Votre chauffe-eau GeoSpring est compatible avec la technologie **GE Appliances WiFi Connect** grâce au module **GE Appliances ConnectPlus**, vendu séparément. Le module ConnectPlus permet à votre chauffe-eau de communiquer avec votre téléphone intelligent pour effectuer la surveillance à distance, contrôler les réglages et le mode Vacances, recevoir des alertes et des avis. Veuillez visiter www.GEAppliances.com/connect pour de plus amples renseignements sur les fonctions de connexion pour électroménagers, les applications compatibles avec votre téléphone intelligent et les points de vente du module **GE Appliances ConnectPlus**.

Installation

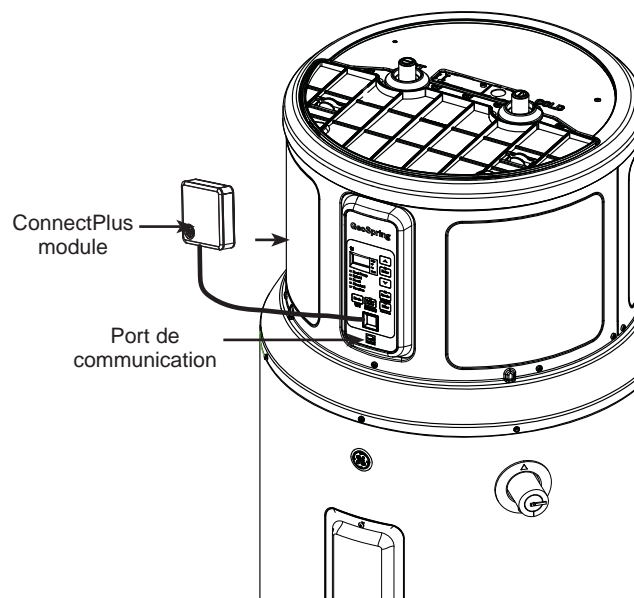
Le module ConnectPlus est doté d'aimants sur sa base permettant de le fixer sur la surface extérieure métallique peinte du chauffe-eau GeoSpring. Pour connecter votre chauffe-eau à Internet via le routeur sans fil de votre domicile, branchez le câble ConnectPlus dans le port de communication à l'avant de votre GeoSpring et suivez les instructions d'activation sur l'application de votre téléphone intelligent.

Connectivité WiFi : Pour de l'assistance concernant votre électroménager ou la connectivité ConnectPlus, veuillez composer le 1-800- 220-6899.

L'identification FCC est située au dos du module ConnectPlus.

Exposition aux radio-fréquences - Cet appareil n'est autorisé qu'à des fins d'application mobile. Une distance d'au moins 20 cm entre le module ConnectPlus et le corps de l'utilisateur doit être maintenue en tout temps.

Avis : La connexion du port de communication présente un courant électrique qui n'est pas compatible avec les ordinateurs ou les accessoires. Ne branchez PAS d'ordinateurs portables, de modems, de routeurs, etc., dans le port de communication. Utilisez seulement avec des accessoires désignés GE Appliances. Le branchement à des ordinateurs ou des accessoires peut endommager ceux-ci.



Entretien et nettoyage

Surfaces Extérieures

Laver à la main avec de l'eau tiède seulement.

Entretien préventif

⚠ DANGER Risque de brûlure – Avant d'utiliser la soupape de sécurité, assurez-vous que personne ne sera exposé à l'eau chaude évacuée par cette soupape. L'eau peut être suffisamment chaude pour poser un risque de brûlure. L'eau doit être évacuée dans un drain approprié afin de prévenir les blessures et les dommages.

REMARQUE : L'évacuation régulière d'eau chaude par la soupape de sécurité du chauffe-eau peut être causée par l'expansion thermique en système fermé. Communiquez avec votre fournisseur d'eau ou votre plombier pour savoir comment corriger cette situation. Ne bouchiez pas l'orifice de la soupape de sécurité.

Correctement entretenu, votre chauffe-eau vous fournira des années de service sans tracas. Nous vous suggérons de suivre un programme d'entretien préventif.

1. Inspectez la soupape de sécurité à température et pression.
2. Inspectez les éléments chauffants, le limiteur de température et leur câblage.
3. Vidangez et rincez le réservoir du chauffe-eau.
4. Nettoyez le filtre à air.
5. Nettoyez le plateau et les tuyaux de vidange.
6. La tige d'anode doit être retirée et inspectée.

Soupape de sécurité à température et pression :

Au moins une fois par an, soulevez et relâchez la poignée de la soupape de sécurité sur le côté droit à l'avant du chauffe-eau afin de vous assurer qu'elle fonctionne librement. Laissez s'écouler quelques litres d'eau par la canalisation de vidange jusqu'à une bonde de vidange ouverte

Éléments chauffants et limiteur de température :

Une fois l'an, nous recommandons aussi d'inspecter les éléments chauffants, le limiteur de température et leur câblage. L'inspection doit être effectuée par un technicien agréé en réparation d'électroménager.

La plupart des électroménagers, même à l'état neuf, produisent des sons en cours de fonctionnement. Un niveau sonore excessif peut signaler la nécessité de nettoyer l'élément chauffant. Communiquez avec un installateur ou un plombier qualifiés pour procéder à une inspection.

Vidange et rinçage du chauffe-eau

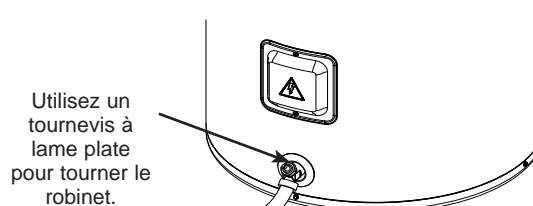
⚠ ATTENTION Risque de choc électrique – Coupez l'alimentation électrique au chauffe-eau avant de vidanger l'eau.

⚠ DANGER Risque de brûlure – Avant d'utiliser la soupape de sécurité, assurez-vous que personne ne sera exposé à l'eau chaude évacuée par la soupape. L'eau évacuée du réservoir peut être suffisamment chaude pour poser un risque de brûlure et elle doit être dirigée vers un drain approprié afin de prévenir les blessures et les dommages.

Un réservoir de chauffe-eau peut agir comme un décanteur de solides en suspension dans l'eau. Il n'est donc pas rare de voir s'accumuler des dépôts d'eau dure dans le fond du réservoir.

Pour éliminer ces dépôts du réservoir, nous recommandons de vidanger et rincer le réservoir une fois l'an. Pour drainer le chauffe-eau, suivez ces étapes :

1. Coupez l'alimentation électrique à l'appareil. Les éléments chauffants seront endommagés s'ils fonctionnent sans eau.
2. Fixez un tuyau d'arrosage au robinet de vidange situé au bas de l'appareil et dirigez-le vers un drain.
3. Fermez l'alimentation en eau froide.
4. Introduisez de l'air dans le réservoir en ouvrant le robinet d'eau chaude ou en levant la poignée de la soupape de sécurité.
5. Ouvrez le robinet de vidange à l'aide d'un tournevis à lame plate.



Rinçage du réservoir :

1. Suivez les étapes ci-dessus pour vidanger le chauffe-eau.
2. Une fois le chauffe-eau vidé, avec robinet de vidange ouvert et tuyau d'arrosage fixé au robinet de vidange, ouvrez l'alimentation en eau froide.
3. Laissez plusieurs litres couler par le robinet de vidange et le tuyau d'arrosage jusqu'à un drain ouvert.
4. Fermez l'alimentation en eau froide et attendez que l'eau qui reste dans le réservoir se vidange totalement.
5. Répétez les étapes 3 et 4 jusqu'à ce que l'eau de vidange devienne limpide.
6. Fermez le robinet de vidange et remplissez le réservoir avant de rétablir l'électricité à l'appareil. Le réservoir est plein lorsque de l'eau s'écoule d'un robinet d'eau chaude à proximité.

Le rinçage doit être effectué dans un réservoir vide pour susciter le nettoyage de sédiments additionnels.

Remarque : Allez à la page 14 pour voir le diagramme du produit.

Entretien et nettoyage

Nettoyage du filtre

Dans les modes Hybride, Thermopompe et Demande élevée/ Demande optimale, le chauffe-eau tire l'air à travers le filtre puis l'évacue au dos de l'appareil. Le filtre sert à protéger l'évaporateur contre la saleté et la poussière.

Un filtre à air propre est important pour obtenir la meilleure efficacité. Ce filtre doit être nettoyé à l'occasion. Lorsque le filtre nécessite un nettoyage, un voyant rouge au-dessus de la touche FILTER (Filtre) s'allume et un signal d'alarme retentit.

REMARQUE: Si le filtre est trop sale, l'appareil passe automatiquement au mode Électrique (Ventilateur éteint)/ Standard (Ventilateur éteint) et les économies d'énergie seront perdues.

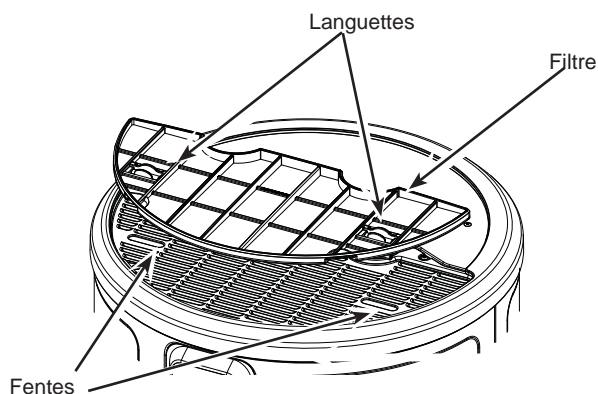
Ne coupez pas l'alimentation. Retirez le filtre par le dessus de l'appareil. Appuyez sur les deux languettes et soulevez pour retirer le filtre à air. Après avoir été retiré, le filtre peut être nettoyé avec un aspirateur, essuyé avec un chiffon humide ou rincé à l'eau tiède.

Lorsque le filtre a été nettoyé et séché, il peut être remis en place en l'alignant dans les fentes sur le dessus de l'appareil et en le poussant vers le bas pour l'enclencher.

Une fois le filtre propre réinstallé, maintenez la touche FILTER (Filtre) enfoncée pour réinitialiser l'alarme. L'appareil retournera automatiquement au mode précédemment sélectionné. Si un cycle de chauffage est actif au moment où l'alarme du filtre est réinitialisée, l'appareil poursuivra en mode Électrique/Standard pour terminer le cycle, puis retournera automatiquement au mode précédemment sélectionné.

IMPORTANT: Le filtre doit être nettoyé lorsque l'alarme s'affiche. Un filtre sale rend plus difficile le travail du système et peut entraîner une réduction de l'efficacité, voire endommager le système. Afin d'obtenir le meilleur rendement éco énergétique, assurez-vous que le filtre est propre.

REMARQUE : Une alarme de filtre sale qui retentit de nouveau au bout de quelques jours suivant le nettoyage et la réinitialisation peut être le signe d'une fuite de réfrigérant. Un diagnostic doit alors être effectué par un technicien en réparation.

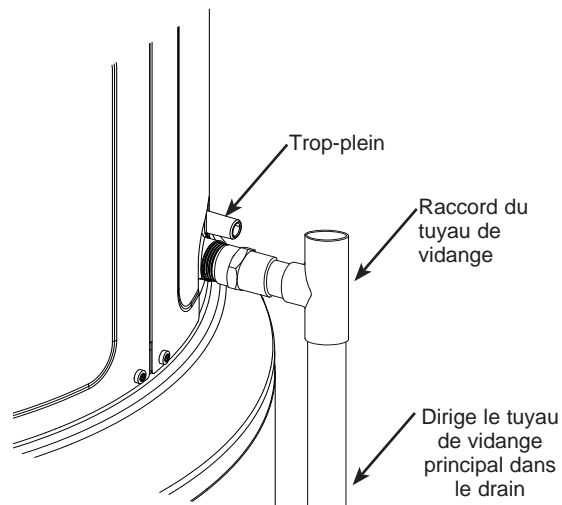


Débouchage du tuyau de vidange de la condensation

Le drain principal est conçu pour évacuer tout le condensat. S'il est bouché, la thermopompe cesse de fonctionner, l'affichage indique F20 et l'alarme retentit. Appuyez sur n'importe quelle touche pour arrêter l'alarme, nettoyez le drain de condensat en retirant les tuyaux et les raccords de vidange, puis délogez les débris. Rattachez les tuyaux et les raccords, puis laissez le chauffe-eau fonctionner. Le GeoSpring continuera de produire de l'eau chaude en utilisant les éléments chauffants de relève jusqu'à ce que le condensat soit éliminé et que l'évacuation s'effectue correctement. Une fois le drain nettoyé, l'appareil sera en mesure de faire fonctionner la thermopompe de nouveau.

Inspectez régulièrement les tuyaux de vidange et nettoyez tous les débris qui auraient pu s'y accumuler

Consultez les instructions d'installation pour de plus amples informations.



Entretien et nettoyage

Routine Preventative Maintenance

Tige d'anode

Les tiges d'anode sont conçues et installées pour protéger les réservoirs d'eau domestiques et augmenter leur longévité. La tige d'anode doit être retirée du réservoir du chauffe-eau et inspectée une fois l'an; elle doit être remplacée lorsque plus de 15,2 cm (6 po) de son âme sont exposés à l'un ou l'autre bout de la tige.* **REMARQUE** : L'eau adoucie artificiellement usera la tige d'anode plus rapidement.

Afin de prévenir les risques de choc électrique et de fuite d'eau accidentelle, cette inspection doit être effectuée par un technicien ou un plombier qualifié et elle nécessite de couper les alimentations électrique et en eau froide avant de réparer la tige d'anode.

AVIS : Ne retirez pas la tige d'anode du réservoir du chauffe-eau sauf pour inspection ou remplacement, puisque le fonctionnement sans tige d'anode raccourcira la longévité du réservoir vitrifié et annulera la garantie.

L'hydraulicité de certaines régions peut développer une odeur dans le chauffe-eau. Des anodes de rechange avec un alliage d'aluminium et de zinc sont offertes pour ce genre de problème.

***REMARQUE** : L'omission de remplacer une tige d'anode usée peut mener à l'annulation de la garantie couvrant le réservoir. Dans le cas de tous les autres composants, la garantie demeure valide sans être soumise à cette mesure d'entretien. L'inspection d'usure et la tige d'anode de remplacement ne sont pas couvertes par la garantie.

Renseignements supplémentaires pour les modèles dotés d'un capteur d'appauvrissement d'anode (touche Anode sur le panneau de commande) :

Lorsque la durée de vie de la tige d'anode à capteur d'appauvrissement tire à sa fin, le voyant rouge au-dessus de la touche ANODE s'allume et le panneau de commande émet un bip tout en affichant F16. Quand cela survient, la tige d'anode doit être inspectée et remplacée si l'âme dans le haut de l'anode est exposée ou si la longueur de la tige est inférieure à 83,8 cm (33 po).* Nous recommandons de remplacer la tige d'anode dès que possible afin de poursuivre la protection du réservoir contre la corrosion. Appelez le service de réparation GE Appliances pour commander ou remplacer la tige d'anode. (Allez à la page 12 pour des instructions sur le remplacement de la tige d'anode.) Service de réparation GE Appliances : 888.4GE.HEWH (888.443.4394).

Appuyez une fois sur la touche ANODE pour arrêter l'alarme. Une fois la tige remplacée, réinitialisez l'alarme en maintenant la touche ANODE enfoncée durant 10 secondes jusqu'à ce que le panneau de commande émette un bip et le voyant au-dessus de la touche s'éteigne.

Si une tige d'anode en aluminium et zinc est installée pour remédier aux odeurs dues à l'hydraulicité, le capteur d'appauvrissement d'anode doit être désactivé. Dans ce cas, une inspection annuelle de la tige d'anode est requise puisque le chauffe-eau ne pourra plus signaler une tige appauvrie.

Pour désactiver le capteur :

1. Une fois l'électricité rétablie suivant l'installation d'une tige d'anode en aluminium et zinc, le panneau de commande émet une alarme tout en affichant F17. Appuyez sur la touche ANODE pour arrêter l'alarme.
2. Appuyez sur la touche ANODE trois fois. Les mots « Off » (arrêt) ou « On » (marche) vont s'afficher pour confirmer la désactivation ou l'activation du capteur.

Pour activer le capteur si une nouvelle tige d'anode à capteur d'appauvrissement est installée, suivez l'étape 2 ci-dessus.

REMARQUE : Si l'affichage est vide, appuyez sur n'importe quelle touche pour ranimer le panneau de commande avant d'entrer la combinaison de touches.

REMARQUE : Si le chauffe-eau a été installé et qu'un dispositif coupe périodiquement l'électricité du chauffe-eau, la précision du capteur d'appauvrissement de tige d'anode peut être compromise et nous recommandons d'inspecter la tige d'anode chaque 2 ou 3 ans.

Si le chauffe-eau est inactif pendant une longue période de temps et qu'il ne peut pas être vidangé, nous recommandons de laisser le chauffe-eau sous tension et de régler la thermopompe au mode vacances pour assurer son bon fonctionnement tout en conservant l'énergie.

REMARQUE : Consultez la mise en garde au sujet de l'hydrogène gazeux dans les instructions de fonctionnement (voir la page 3).

Entretien et réparation de la tige d'anode

⚠ ATTENTION-CONSIGNES DE SÉCURITÉ IMPORTANTES

Cette information est destinée aux personnes qui possèdent une compétence adéquate en électricité, électronique et mécanique. Toute tentative de réparer un gros appareil peut causer des blessures corporelles et des dommages aux biens. Le fabricant ou le vendeur ne peuvent être tenus responsables de l'interprétation ou de l'utilisation de cette information.

Outils requis :

- Tournevis Torx T20.
- Tournevis à lame plate.
- Ruban.
- Clé à douille.
- Rallonge de douille 12 po.
- 1 douille.
- Scellant Softset.
- Tige d'anode si nécessaire.

* Voir la page 24 pour la commande de pièces.

Pour réparer la tige d'anode:

1. Coupez l'alimentation électrique, fermez l'alimentation d'eau et vidangez un ou deux gallons du chauffe-eau par le robinet de drainage inférieur.
2. Retirez le filtre, l'anneau de garniture et le couvercle frontal supérieur comme indiqué à l'illustration A.

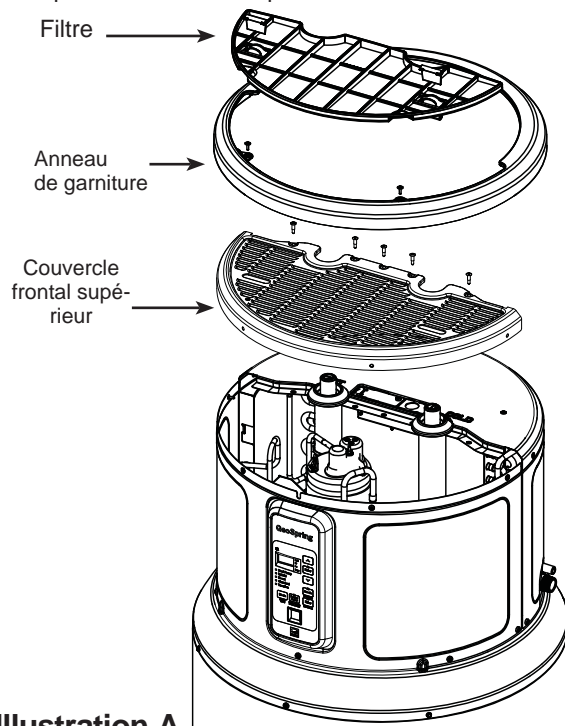


Illustration A

3. Réinstallez l'anneau de garniture, placez une couche de ruban protectrice sur les bords métalliques et retirez le couvercle de la tige d'anode comme indiqué à l'illustration B.

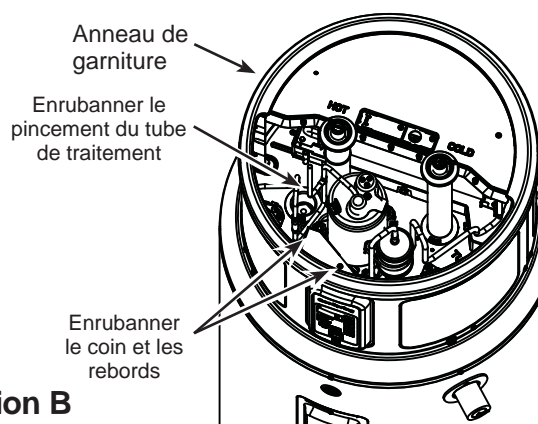


Illustration B

4. S'il est présent, retirez l'isolant pour exposer la tige d'anode selon l'illustration C. Débranchez le câble de l'anode (certains modèles).

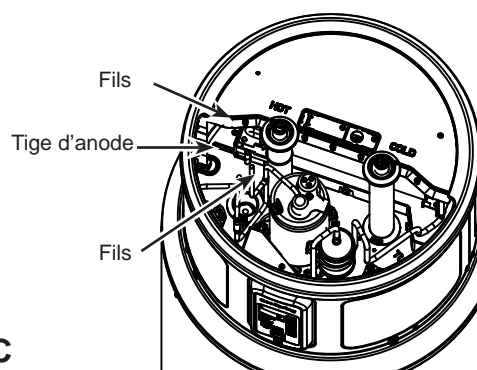


Illustration C

5. À l'aide d'une douille 1 1/16 po et d'une rallonge, dévissez la tige d'anode, puis soulevez-la pour inspecter de la manière indiquée à l'illustration D.

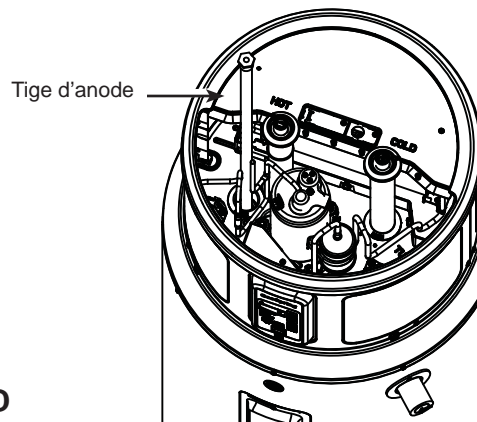


Illustration D

6. Pour installer une tige d'anode, enduisez le filetage de scellant Soft-Set, vissez dans le réceptacle et serrez à 50 ± 5 lb-pi à l'aide d'une clé dynamométrique. Branchez le câble de la tige d'anode (certains modèles).

Si une tige d'anode en aluminium et zinc ou une autre tige sans capteur est installée, vous devez désactiver le capteur d'appauvrissement de tige d'anode et enrubanner l'extrémité du câble (certains modèles).

7. Ouvrez l'alimentation en eau et un robinet pour expulser l'air de la plomberie, vérifiez l'absence de fuites, réassemblez l'appareil dans l'ordre inverse comme montré à l'illustration A puis mettez l'appareil sous tension. Réinitialisez la touche ANODE (certains modèles) en maintenant une pression durant 10 secondes pour indiquer qu'une nouvelle tige d'anode à capteur d'appauvrissement est installée.

Instructions d'installation

L'emplacement choisi pour le chauffe-eau doit prendre en considération les éléments suivants:

RÈGLEMENTS MUNICIPAUX RELATIFS AUX INSTALLATIONS

Ce chauffe-eau doit être installé conformément à ces instructions, aux codes municipaux, aux codes des services publics, selon les exigences de la compagnie ou, en l'absence de réglementation municipale, conformément au Code national de l'électricité. Il est disponible dans certaines librairies ou peut être acheté auprès de l'association nationale de la prévention d'incendie (Batterymarch park, Quincy, MA 02169, USA, comme feuillet ANSI/NFPA 70).

EXIGENCES EN MATIÈRE D'ALIMENTATION ELECTRIQUE

Check the markings on the rating plate of the water heater to Vérifiez les informations sur la plaque signalétique du chauffe-eau afin de vous assurer que l'alimentation correspond aux besoins du chauffe-eau. **REMARQUE :** Les installations à 208V peuvent avoir des performances moindres.

EMPLACEMENT

Le chauffe-eau et les conduites d'eau doivent être protégés du gel et des atmosphères hautement corrosives. N'installez pas le chauffe-eau en extérieur ou dans des zones exposées. Localisez le chauffe-eau dans un endroit propre et sec aussi proche que possible de la zone de plus forte demande en eau chaude. De longues conduites d'eau chaude non isolées vont gaspiller de l'énergie et l'eau. L'appareil doit être installé dans un endroit de niveau.

REMARQUE : Cet appareil est conçu pour une installation intérieure normale dans un espace d'au moins 19,8 m³ (700 pi³) (p.ex. 3 x 3 x 2 m / 10 x 10 x 7 pi) incluant : garage, salle de lavage, grenier, placard, etc. Il peut être installé dans une pièce d'un volume inférieur si celle-ci comporte une porte-persienne ou deux sections avec persiennes (dans le haut et le bas de la porte ou du mur pour faire circuler l'air), ou encore un ensemble de conduits GE Appliances (visitez www.geospring.com pour de plus amples renseignements). Les persiennes doivent présenter une surface ouverte d'au moins 0,15 m² (240 po²).

La réparation et l'entretien du chauffe-eau exige une installation appropriée de façon que le filtre à air, les couvercles, l'anneau de garniture et les panneaux frontaux puissent être retirés pour inspection et réparation. Les instructions d'installation de référence se trouvent dans le présent manuel.

Une installation dans un comble nécessite des escaliers d'accès et un plancher solide sans solives de plancher exposées jusqu'au lieu d'installation. Le déplacement du chauffe-eau ou d'autres appareils afin de procurer un service de réparation du chauffe-eau n'est pas couvert par la garantie.

REMARQUE : La plage de fonctionnement de la thermopompe est de 35°F à 120°F (2°C à 49°C). Si la température ambiante est en dehors de cette fourchette, la thermopompe s'éteint et les éléments chauffants seront utilisés jusqu'à ce que la température ambiante revienne dans la plage de fonctionnement normal.

EMPLACEMENT (CONT)

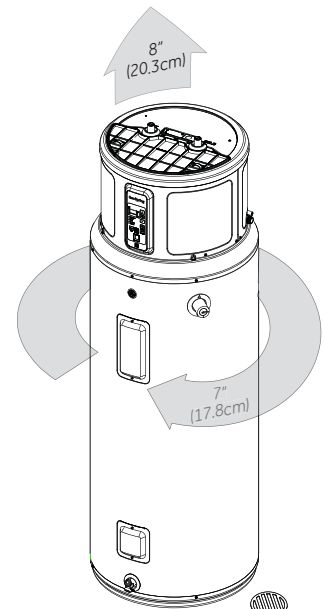
⚠ ATTENTION

Risque de dommage matériel
- Le chauffe-eau doit être placé dans un endroit où les fuites d'eau provenant du réservoir ou des raccords n'endommageront pas la zone autour de l'appareil ou les étages inférieurs. Lorsque que de tels emplacements ne peuvent être évités, il est recommandé d'installer un bac de récupération d'eau avec un système d'évacuation approprié en dessous de l'appareil. Installations grenier exigent escaliers d'accès et solide plancher sans solives apparentes.

Dégagements nécessaires:

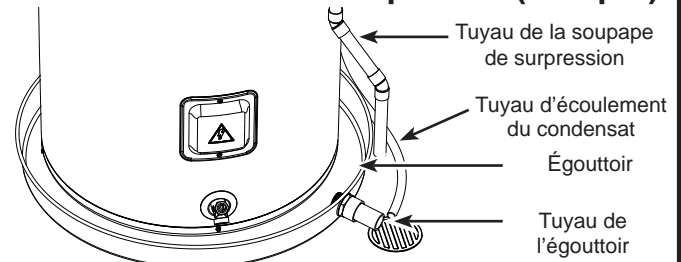
Un espace libre de 17,8 cm (7 po) doit être laissé entre tous les objets, à l'arrière et des côtés du chauffe-eau pour pouvoir procéder aux réparations éventuelles. Un espace libre d'au moins 20,3 cm (8 po) doit être laissé au-dessus du chauffe-eau afin de pouvoir retirer le filtre et le nettoyer et permettre l'accès aux fins de réparations et espace libre à l'avant du chauffe-eau sont recommandés. Les installations nécessitant un espace libre de 15,2 cm (6 po) sur les côtés ou à l'arrière du chauffe-eau pour installer les lanières parasismiques sont également acceptées. Pour cette situation, un espace libre additionnel doit être pourvu sur le côté opposé de l'appareil pour offrir un accès lors des réparations. La plomberie d'eau chaude et d'eau froide et les raccords électriques sont requis au-dessus et à l'arrière du chauffe-eau afin de pouvoir installer.

La trousse de répartition d'air GE Appliances sera achetée et un espace additionnel est requis au-dessus et à l'arrière du chauffe-eau afin de pouvoir l'installer. Consultez le manuel de l'ensemble de conduits pour des instructions spécifiques. Visitez le site www.geospring.com pour obtenir les détails.



L'aspect des modèles peut varier

Installation du bac de récupération (si requis)



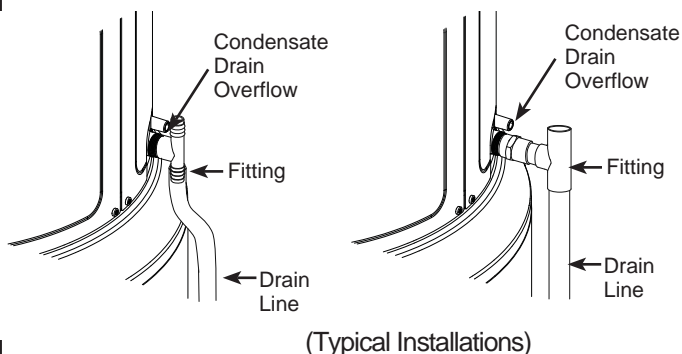
REMARQUE : Le bac de récupération de l'eau doit être conforme aux codes municipaux. Des nécessaires d'installation de bac de récupération sont disponibles auprès du détaillant où le chauffe-eau a été acheté, un magasin de matériaux de construction ou un revendeur de chauffe-eau. L'égouttoir doit être d'une largeur supérieure de 5,1 cm (2 po), au minimum, par rapport au diamètre de la base du chauffe-eau. Pour prévenir la corrosion et améliorer l'accès à la soupape de surpression, il est recommandé de placer le chauffe-eau sur des espaceurs à l'intérieur de l'égouttoir.

Instructions d'installation

RACCORD DE DRAIN DE CONDENSAT

Cet appareil est doté d'un drain de condensat. Cependant, un plancher ou un autre drain d'une hauteur inférieure à 91,4 cm (36 po) au-dessus du plancher doit être en place à proximité du chauffe-eau pour restreindre au minimum la longueur et les courbes du tuyau de vidange à installer. Le drain doit satisfaire aux codes national et local. Il est important de poser, sur l'orifice de vidange primaire dépassant du côté de l'appareil, un raccord 3/4 po FNPT qui convient à un tuyau de vidange rigide ou flexible. Nous ne recommandons pas de réduire le diamètre à partir d'un tuyau de vidange de 3/4 po.

Assurez-vous que le tuyau de vidange rigide ou flexible conserve une pente descendante afin de garantir le drainage par gravité du condensat vers le drain et le fonctionnement adéquat du capteur de blocage du drain (voir page 10). Si aucun drain n'est disponible, vous devrez acheter et installer une pompe à condensat régulière ayant une capacité minimale de 3,8 L (1 gal)/jour. Il est important d'acheminer le tuyau de vidange flexible ou rigide de façon que l'eau d'évacuation ne puisse toucher aux pièces électriques sous tension ou causer des dégâts d'eau.



(Typical Installations)

Pièces supplémentaires requises :

- 1- Tuyau de vidange flexible ou rigide de 3/4 po et le raccord associé 3/4-FNPT

EXPANSION THERMIQUE

La présence d'un clapet antiretour sur la conduite d'eau d'admission crée un « système fermé ». Chauffer de l'eau dans un système fermé augmente la pression car celle-ci ne peut se dissiper dans la conduite d'alimentation principale. Désignée « expansion thermique », l'accroissement rapide de pression peut déclencher la soupape de sécurité (évacuant de l'eau) pendant chaque cycle de chauffage, ce qui peut causer une défaillance prématurée de la soupape ou même du chauffe-eau. La méthode suggérée pour contrôler l'expansion thermique consiste à installer un réservoir d'expansion sur la conduite d'eau froide entre le chauffe-eau et le clapet antiretour, comme montré dans les illustrations suivantes. Communiquez avec votre installateur, votre fournisseur d'eau ou l'inspecteur en plomberie pour de plus amples renseignements.

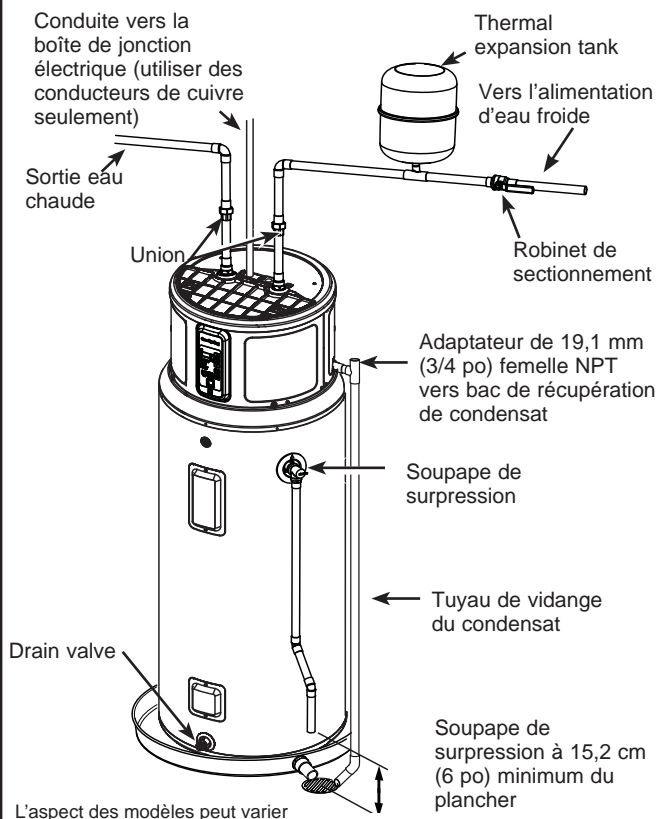
RACCORDEMENT À L'ALIMENTATION EN EAU

Reportez-vous à l'illustration ci-dessous pour une suggestion d'installation. Les raccords d'eau CHAUDE (Hot) et FROIDE (Cold) sont clairement identifiés et mesurent 3/4 po NPT sur tous les modèles. Lors du raccordement sur les orifices d'entrée ou de sortie, l'utilisation de raccords à filetage conique femelles 3/4 po NPT avec scellant à filetage est recommandé. L'installation de raccords-unions est recommandée pour le raccordement à l'eau chaude et froide de façon à pouvoir débrancher le chauffe-eau aisément dans l'éventualité d'une réparation.

REMARQUE: Installez un robinet d'arrêt dans la conduite d'alimentation d'eau froide près du chauffe-eau. Ceci permettra plus tard de faciliter l'entretien ou la maintenance de l'appareil.

IMPORTANT: N'appliquez pas de chaleur aux raccords d'eau FROIDE ou CHAUDE. Si des raccords soudés à l'étain sont utilisés, soudez le tuyau à l'adaptateur avant de fixer l'adaptateur aux raccords d'eau froide sur le chauffe-eau. Toute application de chaleur sur les raccords d'eau froide ou chaude peut endommager de façon permanente le revêtement interne en plastique des ces orifices.

INSTALLATION TYPIQUE



SOUPAPE DE SECURITE

⚠ AVERTISSEMENT Risque de dommage pour l'appareil - La pression nominale de la soupape de sécurité ne doit pas dépasser 150 lb/po² (1,03 kPa), la pression de fonctionnement maximale du chauffe-eau indiquée sur la plaque signalétique. .

Une nouvelle soupape de sécurité de pression et de température, conforme aux normes Relief Valves and Automatic Gas Shutoff Devices for Hot Water Supply Systems (ANSI Z21.22) est fournie. Elle doit être installée dans l'orifice prévue à cet effet sur le chauffe-eau. Aucune soupape de quelque nature que ce soit ne doit être installée entre la soupape de sécurité et le réservoir. Les codes municipaux doivent toujours régir l'installation de soupapes de sécurité.

La valeur Btu/h de la soupape de sécurité ne doit pas être inférieure à la valeur nominale d'entrée du chauffe-eau, comme ceci est inscrit sur l'étiquette à l'avant du chauffe-eau (1 watt = 3,412 Btu/h).

Branchez la sortie de la soupape de sécurité à une bonde ouverte de telle façon que l'eau évacuée ne puisse entrer en contact avec les parties électriques ou des personnes et de façon à éliminer tout dégât d'eau potentiel.

La tuyauterie utilisée doit être agréée pour la distribution d'eau chaude. Le tuyau de vidange ne doit pas être d'une dimension inférieure à la sortie de la soupape et doit être incliné vers la bonde pour assurer une vidange complète (par gravité) de la soupape et du tuyau de vidange. L'extrémité du tuyau de vidange ne doit pas être filetée ou dissimulée et doit être protégée contre le gel. Aucune soupape, restricteur ou réducteur ne doit jamais être installé sur le tuyau de vidange.

⚠ ATTENTION

Pour réduire les risques de pression et de température excessives dans ce chauffe-eau, installez l'équipement de protection de température et de pression exigé par les codes municipaux et, au moins, une soupape de sécurité (pression et température) certifiée par un laboratoire d'essai indépendant reconnu à l'échelle nationale et qui effectue des inspections périodiques de l'équipement ou des matériaux inscrits qui disent se conformer aux exigences relatives aux Relief Valves and Automatic Gas Shutoff Devices for Hot Water Supply Systems(ANSI Z21.22). Cette soupape doit être marquée avec une pression maximale qui ne doit pas dépasser la pression maximale de fonctionnement indiquée pour le chauffe-eau. Installez la soupape dans l'ouverture prévue à cet effet sur le chauffe-eau et orientez-la (ou ajoutez un tuyau) de manière à ce que tout liquide soit évacué par la soupape à une hauteur maximale de 6 po (15,2 cm) du plancher, et qu'il n'entre en contact avec aucune partie électrique. En aucune circonstance, l'ouverture pour l'évacuation ne doit pas être bouchée ou de taille réduite.

REPLISSAGE DU CHAUFFE-EAU

⚠ AVERTISSEMENT Risque de dommage pour l'appareil - Le réservoir doit être plein d'eau avant de mettre le chauffe-eau en marche. La garantie de chauffe-eau ne couvre pas les dommages ou défaillances résultant d'un fonctionnement avec un réservoir vide ou partiellement vide.

Assurez-vous que le robinet de vidange est complètement fermé. Ouvrez le robinet sur la conduite d'alimentation en eau froide.

Ouvrez chaque robinet d'eau chaude doucement pour permettre à l'air de s'évacuer du chauffe-eau et des tuyauteries.

Un débit d'eau constant du/des robinet(s) d'eau chaude indique un chauffe-eau plein.

Code d'erreur F11 lors de l'installation : Si l'appareil est mis en marche sans un réservoir rempli, le code d'erreur « F11 » s'affiche à l'écran. Coupez l'alimentation électrique, remplissez le réservoir d'eau (voir ci-dessus), puis rallumez-le.

REMARQUE: La caractéristique DRY TANK DETECTION (Détection de réservoir vide) du réservoir consiste à aider l'installateur et ne doit PAS être utilisée comme commande principale pour empêcher le fonctionnement d'un réservoir vide ou partiellement rempli. L'alimentation électrique du chauffe-eau ne doit JAMAIS être sous tension tant que l'installateur n'est pas assuré que le réservoir est plein et que toutes les bulles d'air sont évacuées du système.

⚠ AVIS

Ne faites pas d'erreur de raccordements électriques. Une tension de CA de 240V ou 208V doit être appliquée aux fils L1 et L2 comme indiqué sur diagramme « boîte de jonction du chauffe-eau ». Le non-respect de cette consigne ANNULE la garantie, et peut conduire à une tension de 120V utilisée sur le chauffe-eau, qui peut endommager le compresseur ou d'autres composants électriques.

Si un câble à 4 fils est amené au chauffe-eau, isolez (capuchon) le neutre et branchez les autres fils comme illustré.

NOTE: RELATIVE AUX DISPOSITIFS DE GESTION D'ALIMENTATION

(Parfois appelé Interrupteur de réduction en demande maximale):

Certains dispositifs de gestion de l'alimentation ou même certaines minuterie peuvent RÉDUIRE la tension de 240 V à 120 V pendant des périodes de demande importante d'électricité. Ces dispositifs doivent être retirés du circuit alimentant le chauffe-eau en raison des dommages potentiels mentionnés ci-dessus.

Toutefois, les dispositifs de commutation qui, de temps en temps, réduisent la tension de 240V à 0V sont acceptables.

Code d'erreur "bAd linE" lors de l'installation: Si «bAd linE» s'affiche à l'écran, l'appareil ne reçoit pas la bonne tension en raison d'erreurs de câblage. Pour corriger cette erreur, coupez l'alimentation électrique, corrigez les erreurs de câblage, puis rallumez le chauffe-eau.

Instructions d'installation

RACCORDEMENTS ÉLECTRIQUES

Un circuit de dérivation distinct avec des conducteurs en cuivre, un dispositif de protection contre les surtensions et des moyens appropriés pour déconnecter le chauffe-eau doivent être fournis par un électricien qualifié.

Le câblage doit être conforme aux codes et règlements municipaux ou, en leur absence, à la dernière édition du Code national de l'électricité, ANSI/NFPA 70.

Le chauffe-eau est complètement raccordé à la boîte de jonction par le dessus du chauffe-eau. Une ouverture pour un raccord électrique d'1/2 po est fournie pour les connexions à faire sur place.

Les besoins en tension et puissance du chauffe-eau sont précisées sur l'étiquette signalétique apposée sur le devant du chauffe-eau.

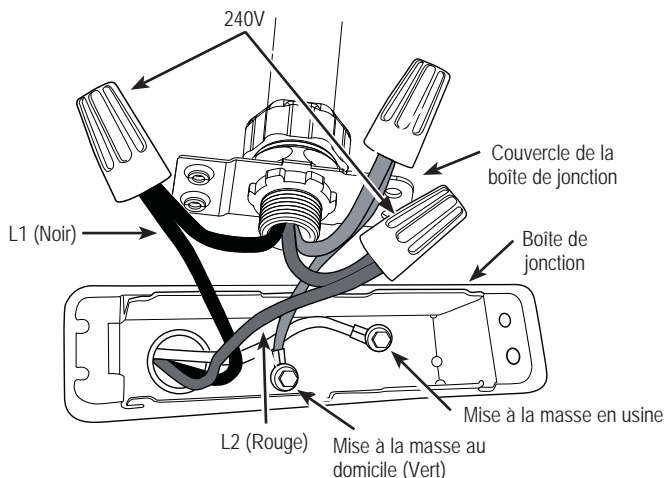
Le câblage du circuit de dérivation doit inclure:

1. Un conduit métallique ou un câble métallique gainé approuvé pour une utilisation comme conducteur de mise à la masse et installé avec des raccords adaptés à cet usage.
2. Un câble gainé non métallique, un conduit métallique ou un câble gainé métallique non approuvé pour une utilisation comme conducteur de mise à la masse doit comprendre un conducteur distinct de mise à la masse. Il doit être raccordé aux bornes de mise à la masse du chauffe-eau et à la boîte de distribution électrique.

Branchement de l'alimentation électrique au chauffe-eau:

1. Coupez l'alimentation.
2. Retirez le(s) vis maintenant le couvercle de la boîte de jonction.
3. Fixez L1 à L1, L2 à L2 et mettez à la masse le fil de terre vert relié à la base de la boîte de jonction.

REMARQUE : Faites les raccordements électriques conformément aux codes ou à la dernière édition du Code national de l'électricité, ANSI/NFPA 70.



⚠ AVERTISSEMENT

Un bon raccordement à la terre est essentiel. La présence d'eau dans les tuyauteries et le chauffe-eau ne fournit pas une conduction suffisante pour une masse adéquate. La tuyauterie non métallique, les raccords diélectriques ou flexibles, etc., peuvent isoler électriquement le chauffe-eau. Ne déconnectez pas la mise à la terre faite en usine.

La garantie du fabricant ne couvre pas les dommages ou défauts causés par l'installation, le branchement ou l'utilisation de tout dispositifs d'économie d'énergie ou d'autres dispositifs non autorisés (autres que ceux autorisés par le fabricant) avec le chauffe-eau. L'utilisation de dispositifs d'économie d'énergie non autorisés peut réduire la durée de vie du chauffe-eau et peut mettre en danger la vie et provoquer des dommages matériels.

Le fabricant décline toute responsabilité en cas de pertes ou blessures résultant de l'utilisation de ces dispositifs non autorisés.

Si les codes municipaux exigent la pose extérieure de couvertures isolantes, les instructions du fabricant fournies avec le nécessaire d'isolation doivent être suivies à la lettre.

La pose de tout isolant externe, de couverture ou d'isolant à tuyauterie avec ce chauffe-eau doit être effectuée en portant une attention particulière aux points suivants :

- Ne couvrez pas la soupape de sécurité (température et pression)
- Ne couvrez pas les panneaux d'accès aux éléments chauffants.
- Ne couvrez pas la boîte de jonction du chauffe-eau.
- Ne couvrez pas les étiquettes d'utilisation ou de mise en garde apposées au chauffe-eau. N'essayez pas de les déplacer sur l'extérieur de la couverture isolante.
- N'obstruez pas les entrées/sorties d'air dans les couvercles supérieurs et sous ces derniers.

REMARQUE : Ce guide recommande un circuit de dérivation minimal basé sur le Code national de l'électricité. Reportez-vous aux schémas de câblage dans ce manuel pour les raccordements à effectuer sur place.

GUIDE DE DIMENSIONNEMENT DE CIRCUIT DE DÉRIVATION

Puissance totale du chauffe-eau	Protection de surintensité recommandée (capacité du fusible ou du disjoncteur)			
	208V	240V	277V	480V
3,000	20	20	15	15
4,000	25	25	20	15
4,500	30	25	25	15
5,000	30	30	25	15
5,500	35	30	25	15
6,000	40	35	30	20
8,000	50	45	40	25
9,000	–	50	45	25
10,000	–	–	50	30
11,000	–	–	50	30
12,000	–	–	–	35

Puissance totale du chauffe-eau	Calibre de fil de cuivre, basé sur tableau N.E.C. 310-16 (167°F/75°C).			
	208V	240V	277V	480V
3,000	12	12	14	14
4,000	10	10	12	14
4,500	10	10	10	14
5,000	10	10	10	14
5,500	8	10	10	14
6,000	8	8	10	12
8,000	8	8	8	10
9,000	–	8	8	10
10,000	–	–	8	10
11,000	–	–	8	10
12,000	–	–	–	8

LISTE DE VÉRIFICATION D'INSTALLATION

- 1. Emplacement du réservoir:**
 - La taille de la pièce nécessite-t-elle des portes à persiennes, trousse de répartition d'air, ensemble de conduits ou une ventilation similaire ? 10pi x 10pi x 7pi (19,8 m³ / 700 pi³) ou 240 pouces carrés (0,15 m²) de surface circulation d'air ouverte nécessaire.
 - Éloignez l'appareil du mur de 7 po (17,5 cm.) et dégagez les parois d'au moins 7 po (17,5 cm.) (15,2 cm [6 po]) d'espace libre pour les installations avec lanières parasismiques et un espace additionnel sur le côté opposé de l'appareil.)
 - Le devant de l'appareil est libre et dégagé.
 - Le chauffe-eau est-il de niveau? Sinon, ajoutez des cales sous la base de l'appareil pour assurer le fonctionnement correct des capteurs.
- 2. Vérifiez que le filtre d'air est installé.** (Situé dans l'emballage):
- 3. Raccords de plomberie :**
 - (19,8 m³ / 700 pi³) ou 240 carré
 - N'empêchent pas le retrait du filtre à air
 - Aucune fuite après le remplissage du réservoir, avec ou sans débit.
- 4. Tuyaux pour les condensats sont en place:**
 - Tuyau de vidange rigide ou flexible principal installé et dirigé vers un drain ou une pompe à condensats. Des raccords réducteurs ne sont pas recommandés
- 5. La soupape de sécurité à pression et température fonctionne et le tuyau de vidange est installé conformément au code local.**
- 6. Le branchement électrique correspond à du 208/240 VCA à L1 et L2 au réservoir.**
- 7. Electrical connection does not prevent air filter removal.**
- 8. Assurez-vous que le panneau de commande affiche 120°F (49°C) et mode Hybride. Aidez l'utilisateur à régler la température (Voir la section « Réglage de la température de l'eau » à la page 4).**

À QUOI S'ATTENDRE POUR UNE « MISE EN MARCHÉ NORMALE » EN MODE HYBRIDE

Après installation de l'appareil et après que tous les branchements électriques et de plomberie aient été effectués et vérifiés, l'appareil doit être rempli d'eau (évacuez l'air du réservoir en ouvrant un robinet d'eau chaude, quelque part dans la maison pour permettre au réservoir de se remplir entièrement d'eau). Une fois que le réservoir est plein et que l'appareil est sous tension, vous rencontrerez peut-être ceci :

Temps écoulé	Actions HEWH	Remarques
0 à 2 minutes	L'appareil procédera à un autodiagnostic. Le ventilateur se mettra en marche au bout de 1 minute.	Ce temps de pause de 2 minutes prévient les dommages au compresseur. Un cliquetis peut se faire entendre au démarrage.
2 à 22 minutes	Le compresseur se met en marche. Le ventilateur continue de fonctionner.	Cette période de 20 minutes est utilisée pour s'assurer que le réservoir est plein d'eau (algorithme de prévention d'incendie à sec).
22 minutes et plus	Le compresseur s'arrête (le ventilateur fonctionne durant 20 minutes suivant tout fonctionnement du compresseur). Le processus de chauffage normal reprend.	The water heater is operating in Hybrid mode. Fournit rapidement la quantité d'eau chaude initiale au moyen des éléments chauffants, puis passe au mode efficace de la thermopompe pour la plus grande partie du chauffage.

REMARQUE : La plage de fonctionnement de la thermopompe est de 45°F à 120°F (7°C à 49°C). Si la température ambiante est en dehors de cette fourchette, la thermopompe s'éteint et les éléments chauffants seront utilisés jusqu'à ce que la température ambiante revienne dans la plage de fonctionnement normal.

Foire aux questions

Filtre:

Q: Pourquoi y a-t-il un filtre?

R: En mode Hybride et Thermopompe (uniquement), l'appareil fait circuler de l'air dans le système. Le filtre protège l'appareil contre la saleté. Un filtre à air propre améliore l'efficacité du chauffe-eau.

Q: Comment nettoyer le filtre?

R: Laissez l'appareil sous tension et retirez le filtre sur son dessus. On peut nettoyer le filtre à l'aspirateur ou par rinçage à l'eau tiède. Le nettoyage terminé, réinitialisez l'alarme en maintenant enfoncé la touche Filter (Filtre). Un filtre encrassé réduit l'efficacité du chauffe-eau!

Modes:

Q: Qu'est que le mode Thermopompe?

R: Le mode Thermopompe est le mode le plus efficace. Il extrait la chaleur de l'air ambiant pour chauffer l'eau, refroidissant du même coup l'air alentour. Ce mode prend plus de temps à chauffer l'eau mais il est également le mode le plus efficace.

Q: Qu'est-ce que le mode Hybride?

R: Le mode Hybride combine les avantages du mode Thermopompe avec la vitesse et la puissance du mode Électrique Standard. Il offre d'excellentes performances tout en consommant moins d'énergie.

Q: Qu'est-ce que le mode Demande Élevée/Boost?

R: Le mode Demande Élevée/Boost peut être utilisé lorsque la consommation d'eau chaude est plus élevée qu'à la normale. L'appareil sera moins efficace mais chauffera l'eau plus rapidement après une consommation importante. Pour une consommation normale, l'appareil continuera d'utiliser la thermopompe la plupart du temps.

Q: Qu'est-ce que le mode de Vacances ?

R: Si vous êtes absent pendant une période prolongée, ce mode réduit la température de l'eau pour réduire la consommation d'énergie. L'appareil revient au mode précédent le jour qui précède votre retour.

Q: Qu'est-ce que le mode Électrique/Standard?

R: Le mode Électrique/Standard utilise uniquement la résistance pour chauffer l'eau. Cela permet de chauffer l'eau plus rapidement qu'en mode Hybride, mais accroît également la consommation. Ce mode fonctionne sans ventilateur, arrêtant la production d'air frais normalement rejeté pendant le fonctionnement de la thermopompe.

Q: Pourquoi le voyant vert Électrique/Standard clignote-t-il?

R: Dans ce mode, le voyant vert clignotera après 48 heures pour signaler que l'appareil ne fonctionne pas dans le mode le plus éconergétique.

Fonctionnement:

Q: Pourquoi puis-je entendre le fonctionnement de l'appareil ?

R: Aux modes les plus éco énergétiques (Thermopompe, Hybride et Demande élevée/Boost), la méthode utilisée pour chauffer l'eau utilise un ventilateur qui produit un certain bruit.

Q: La thermopompe ne fonctionne pas aussi longtemps que prévu. Pourquoi ?

R: Dans certaines conditions, le chauffe-eau hybride GeoSpring™ va fonctionner en utilisant les éléments électriques au lieu de la pompe à chaleur pour protéger votre appareil et s'assurer que de l'eau chaude est disponible. Ces conditions incluent une température ambiante extrêmement basse (<35°F) ou extrêmement élevée (>120°F) ou encore une très basse tension. L'appareil reprendra son fonctionnement normal dès que les conditions atmosphériques ou d'alimentation le permettent.

Q: Pourquoi un des voyants de mode de fonctionnement clignote-t-il?

R: En mode Hybride ou en mode Demande élevée/Demande optimale, le voyant du mode Électrique/Standard clignote à chaque fois que les éléments chauffants sont actifs, par exemple lors de la récupération initiale suivant une demande d'énergie importante. En mode Électrique/Standard, le voyant du mode de fonctionnement clignote après 48 heures pour signaler que l'appareil ne fonctionne pas dans le mode le plus éconergétique. Ce sont là deux conditions normales qui n'indiquent pas un problème de fonctionnement.

Q: Pourquoi le réglage de température n'est-il pas toujours affiché sur la commande?

R: L'affichage s'effacera après une période d'inactivité afin d'économiser l'énergie. Une pression sur n'importe quel bouton éveillera la commande et affichera le point de réglage de la température.

Tige d'anode :

Q: À quoi sert la tige d'anode?

R: La tige d'anode offre une protection contre la rouille du réservoir du chauffe-eau. Cette tige d'anode doit être remplacée avant la fin de sa durée de vie utile afin de préserver cette protection contre la rouille.

Q: Comment changer la tige d'anode?

R: Consultez la page 12. Les modèles équipés d'un capteur d'appauvrissement d'anode ne requièrent qu'une seule anode que l'on peut commander chez le service GE Appliances.

Q: Que puis-je faire au sujet de l'odeur de sulfure se dégageant de l'eau chaude seulement?

R: L'hydraulicité de certaines régions peut produire le développement d'odeur dans le chauffe-eau. Des anodes de rechange avec un alliage d'aluminium et de zinc sont offertes pour ce genre de problème. Reportez-vous à la page 11.

Conseils de dépannage... Avant de faire un appel de service

Économisez temps et argent! Consultez d'abord les tableaux des pages suivantes et vous pourriez vous éviter un appel de service.

ATTENTION Pour votre propre sécurité, N'ESSAYEZ PAS de réparer le câblage électrique, les commandes, les éléments chauffants et autres dispositifs de sécurité. Faites effectuer les réparations par un technicien qualifié.

Problème	Causes Possibles	Solution
FONCTIONNEMENT ET RENDEMENT		
<i>Quantité insuffisante d'eau ou pas d'eau chaude</i>	La température de réglage de l'eau est peut-être trop basse.	<ul style="list-style-type: none"> Consultez les sections Réglage de la température de l'eau et Capacité du chauffe-eau (pages 4 et 5).
	L'usage de l'eau chaude dépasse la capacité du mode actuel du chauffe-eau.	<ul style="list-style-type: none"> Changez de mode. Attendez que le chauffe-eau récupère suite à une demande anormale.
	La température d'entrée de l'eau peut être plus froide pendant la saison hivernale.	<ul style="list-style-type: none"> Ceci est normal. Une eau très froide est plus longue à réchauffer. Envisagez un réglage de température plus élevé, tel que décrit dans la section Réglage de la température de l'eau.
	Robinets d'eau chaude qui fuient ou sont ouverts.	<ul style="list-style-type: none"> S'assurer que tous les robinets sont fermés.
	Des parcours longs de tuyauterie d'eau chaude sont exposés ou sont à l'extérieur du mur.	<ul style="list-style-type: none"> Isoler la tuyauterie.
	Espace libre insuffisant ne permettant pas la circulation d'air de la thermopompe.	<ul style="list-style-type: none"> Vérifiez que l'appareil se trouve à 17,8 cm (7 po) du mur avec un dégagement de 20,3 cm (8 po) au-dessus du filtre à air.
	La pièce est trop petite ou trop froide, ralentissant l'efficacité du chauffage.	<ul style="list-style-type: none"> L'air ambiant des pièces plus petites peut être plus froid à cause du refroidissement d'air généré par la thermopompe. Si le volume de la pièce est inférieur à 19,8 m³ (700 pi³) (p.ex. 3 x 3 x 2 m / 10 x 10 x 7 pi), installez une porte-persienne ou une ventilation similaire. À température ambiante plus froide, le chauffe-eau mettra plus de temps à atteindre sa température de réglage. Envisagez un réglage de température plus élevé, tel que décrit dans la section Réglage de la température de l'eau.
	Un fusible est grillé, le disjoncteur est déclenché ou le service électrique du domicile est interrompu.	<ul style="list-style-type: none"> Remplacer le fusible ou enclencher le disjoncteur. Communiquer avec le fournisseur local d'électricité.
	Câblage inadéquat	<ul style="list-style-type: none"> Consultez les Instructions d'installation.
	Limite de réinitialisation manuelle.	<ul style="list-style-type: none"> Consultez la section Commandes de sécurité à la page 4.
<i>L'eau est trop chaude</i>	Raccords d'eau vers l'appareil inversés.	<ul style="list-style-type: none"> Corriger les raccords de tuyauterie.
	Perturbation causée par le système de recirculation (s'il est installé)	<ul style="list-style-type: none"> Vérifiez que le réglage du débit n'est pas trop élevé. Isoler la tuyauterie.
	Le réglage de la température est trop élevé.	<ul style="list-style-type: none"> Consultez la section portant sur le réglage de la température de l'eau.
<i>Le chauffe-eau rend la pièce trop froide</i>	Défaillance de la commande électronique.	<ul style="list-style-type: none"> Appelez un technicien.
	La pièce est mal ventilée ou est trop petite.	<ul style="list-style-type: none"> Si les dimensions de la pièce sont inférieures à 10 pi x 10pi x 7pi (3m x 3m x 2,1 m), cette pièce doit être dotée de porte à persiennes ou d'un autre moyen pour permettre un échange d'air avec les pièces avoisinantes.
	Le chauffe-eau extrait la chaleur de l'air ambiant pour chauffer l'eau	<ul style="list-style-type: none"> Ceci est normal.

Conseils de dépannage... Avant de faire un appel de service

Problème	Causes Possibles	Solution
PANNEAU DE COMMANDE		
<i>Le chauffe-eau émet un signal sonore et l'écran affiche F11</i>	Le chauffe-eau n'a pas été rempli d'eau avant la mise en marche. La mise en marche d'un chauffe-eau sans eau endommagera les éléments électriques. La garantie de chauffe-eau ne couvre pas les dommages ou défaillances résultant d'un fonctionnement avec un réservoir vide ou partiellement vide.	<ul style="list-style-type: none"> Remplir complètement le réservoir avec de l'eau. Appuyer sur ENTER pour éteindre l'alarme puis alimenter le cycle lorsque le réservoir a été rempli. Si le réservoir plein d'eau a été confirmé et que le code F11 apparaît, il est possible que le code indique une fausse alerte à cause des conditions d'environnement rencontrées pendant le démarrage. Si l'appareil est plein d'eau, déclenchez le disjoncteur pendant 10 minutes pour permettre la stabilisation de l'eau puis enclenchez à nouveau le disjoncteur. Appelez le service GE Appliances si le code F11 refuse de disparaître.
<i>Le chauffe-eau émet un bip, le voyant de l'anode est allumé (certains modèles) et l'affichage indique F16.</i>	La durée de vie de la tige d'anode tire à sa fin et nous recommandons de la remplacer afin de poursuivre la protection contre la corrosion.	<ul style="list-style-type: none"> Faites un appel de service ou suivez les instructions concernant le remplacement de la tige d'anode à la page 12. Assurez-vous que la tige d'anode à capteur d'appauvrissement ou une autre tige d'anode approuvée par GE Appliances est installée. L'installation d'une tige d'anode non approuvée ANNULE la garantie.
<i>L'élément chauffant émet un signal sonore et l'afficheur indique « F17 »</i>	La fin de vie utile de l'anode approche et son remplacement est recommandé afin de maintenir la protection contre la corrosion.	<ul style="list-style-type: none"> Vérifiez que le réservoir est totalement rempli d'eau. Si le réservoir est plein d'eau et que le code F17 persiste, communiquez avec le service de réparation GE Appliances. Appuyez sur la touche Anode pour arrêter l'alarme.
<i>The green mode indicator light is flashing</i>	Normal operation	<ul style="list-style-type: none"> En mode Électrique/Standard, le voyant du mode de fonctionnement clignote après 48 heures pour signaler que l'appareil ne fonctionne pas dans le mode le plus éconergétique. En mode Électrique/Standard, le voyant du mode de fonctionnement clignote après 48 heures pour signaler que l'appareil ne fonctionne pas dans le mode le plus éconergétique. Ces conditions sont normales et elles n'indiquent pas un problème de fonctionnement.
<i>Le voyant du filtre est allumé.</i>	Le filtre doit être nettoyé. Un filtre propre est nécessaire pour un fonctionnement efficace.	<ul style="list-style-type: none"> Suivez les instructions sur le retrait et le nettoyage du filtre à la page 10. Une répétition d'alarmes de filtre sale malgré le nettoyage du filtre peut indiquer une défaillance du système étanche. Communiquez avec le service de réparation
<i>Le chauffe-eau émet un bip et le code « bAdlinE » clignote sur l'affichage.</i>	L'appareil ne reçoit pas le courant de 240 VCA prévu.	<ul style="list-style-type: none"> Coupez l'électricité au chauffe-eau (en général au panneau du disjoncteur). Lisez la section Raccordements électriques dans les Instructions d'installation à la page 16. Communiquez ensuite avec l'installateur pour vérifier l'entrée électrique au chauffe-eau.
<i>Le chauffe-eau émet un bip et une code d'erreur s'affiche</i>	Défaillance de la thermopompe, codes « FA » - « F8 »; défaillance du panneau de commande ou autre, codes « F9 » - « F23 ».	<ul style="list-style-type: none"> Le chauffe-eau peut passer automatiquement à un autre mode de chauffage pour assurer la disponibilité constante d'eau chaude. Communiquez avec le service de réparation immédiatement en mentionnant les codes d'erreur de l'affichage. Pour faire cesser le bip, appuyez sur la touche fléchée HAUT ou BAS.

Conseils de dépannage... Avant de faire un appel de service

Problème	Causes Possibles	Solution
AUTRES		
Le chauffe-eau émet des sons	Un ventilateur est utilisé pour déplacer l'air dans le système.	<ul style="list-style-type: none"> • Une certain niveau sonore de ventilateur est normal. Si vous entendez un son anormal ou un niveau sonore qui semble anormalement élevé (p.ex. plus élevé qu'un climatiseur de fenêtre), alors communiquez avec le service de réparation.
	Un cliquetis se fait entendre lors de l'activation de la soupape de détente électronique.	<ul style="list-style-type: none"> • Ceci est normal.
L'appareil n'émet pas les bruits habituels	Si l'appareil utilise les résistances électriques, le ventilateur et le compresseur ne feront pas de bruit sounds.	<ul style="list-style-type: none"> • Vérifiez le mode de fonctionnement.
Bruit de gargouille-ment	L'état de l'eau de votre domicile engendre un dépôt calcaire ou minéral sur les éléments chauffants.	<ul style="list-style-type: none"> • Enlevez et nettoyez les éléments chauffants. Seul un technicien qualifié doit procéder à cette manœuvre.
De l'eau dégoutte sur l'extérieur du chauffe-eau	Le drain des condensats est obstrué.	<ul style="list-style-type: none"> • Nettoyez les débris dans l'orifice de vidange de l'appareil.
	Des raccords d'eau chaude ou froide sont desserrés	<ul style="list-style-type: none"> • Serrez les raccords lâches. Cela devrait être effectué par un réparateur qualifié seulement.
La soupape de sécurité fait un bruit sec ou elle fuit	Accroissement de pression causé par l'expansion thermique dans un système fermé	<ul style="list-style-type: none"> • Il s'agit d'une condition inacceptable qui doit être corrigée. Consultez la section Expansion thermique à la page 14. Ne bouchez pas l'orifice de la soupape de sécurité. Communiquez avec un plombier pour corriger ce problème.
Le chauffe-eau dégage une odeur d'œufs pourris ou de soufre	Certaines eaux avec une concentration élevée de soufre réagissent avec la tige d'anode qui est présente dans tous les chauffe-eau pour la protection contre la corrosion du réservoir.	<ul style="list-style-type: none"> • L'odeur peut être réduite ou éliminée dans la plupart des chauffe-eau en remplaçant la tige d'anode par une tige d'une matière moins réactive. Dans certains cas, une étape supplémentaire de chloration du chauffe-eau et de toutes les conduites d'eau chaude est nécessaire, communiquez avec votre fournisseur d'eau local ou votre plombier pour des directives. Composez le 1.888.4GE.HEWH (1.888.443.4394) pour connaître un point de vente de tiges d'anode de remplacement. Un installateur ou plombier qualifié doit procéder au remplacement. L'utilisation d'une tige d'anode non approuvée par GE Appliances, ou faire fonctionner le chauffe-eau sans tige d'anode approuvée par GE Appliances ANNULE la garantie.

Codes d'erreur

Code d'erreur affiché	Condition	Action
F-C	Évaporateur givré. Fuite de réfrigérant probable.	Appelez un technicien**
F-D	Surchauffe trop faible. Fuite de réfrigérant probable.	Appelez un technicien**
F-E	Température de refoulement au-dessus de la limite. Fuite de réfrigérant probable.	Appelez un technicien**
F-F	Détendeur électronique hors limites. Fuite de réfrigérant probable.	Appelez un technicien**
F-G	Vérification temp. ambiante T5	Données du technicien en réparation
F-I	Test de fuite de réfrigérant. Fuite de réfrigérant probable.	Appelez un technicien**
F-J	Courant haute intensité d'une charge concomitante	Appelez un technicien
F-L	Évaporateur ne décongèle pas	Appelez un technicien
F2	T2 Panne de la sonde thermique du réservoir	Appelez un technicien
F3	Panne de compresseur	Appelez un technicien
F4	Panne de ventilateur	Appelez un technicien
F5	Panne du capteur T3a (température d'entrée de l'évaporateur)	Appelez un technicien
F6	Panne du capteur T3b (température d'entrée de l'évaporateur)	Appelez un technicien
F7	Panne du capteur T4 (sortie du compresseur)	Appelez un technicien
F8	Panne du capteur T5 (température ambiante)	Appelez un technicien
F9	Panne d'élément chauffant inférieur	Appelez un technicien
F10	Panne d'élément chauffant supérieur	Appelez un technicien
F11	Erreur Réservoir à sec	Voir page 15
bAd linE (F12)	La tension est trop basse au démarrage	Voir page 15
F13	Erreur Touche Bloquée	Appelez un technicien
Dirty Filter (F14)	Filtre sale. Si la défaillance se répète après nettoyage, fuite de réfrigérant probable.	Voir page 10
F15	Erreur DataFlash	Appelez un technicien
F16*	Tige d'anode usée	Appeler un technicien, voir page 11
F17*	Réservoir vide ou tige d'anode incorrectement câblée	Appelez un technicien
F18	Câblage du transformateur de courant mal exécuté	Appelez un technicien
F19	Fil de basse tension	Données du technicien en réparation
F20	Orifice du bac de récupération obstrué	Voir page 10
F21	Mise à jour de l'application a échoué	Appelez un technicien
F22	Paramétrique à jour des données échec	Appelez un technicien
F23	Échec Micro A / D	Appelez un technicien

* Certains modèles

**Les techniciens de service doivent utiliser TB01-16 pour l'inspection de fuites.

Garantie du chauffe-eau hybride GE Appliances

Toutes les réparations sur garantie sont fournies par notre Réseau de service autorisé. Pour planifier une visite de service, appelez le 888.4GE.HEWH (888.443.4394). Veuillez avoir le numéro de série et le numéro de modèle sous la main lorsque vous appelez le service de réparation.

Pour la période d' : Nous remplacerons:

Un An À partir de la date d'achat initiale	Toute pièce du Chauffe-Eau Hybride qui ne fonctionne pas à cause d'un vice de matériau ou de main-d'œuvre Pendant la validité de la présente garantie limitée d'un an , GE fournira également gratuitement la main-d'œuvre et le service sur place pour réparer la pièce défectueuse.
De la Deuxième à la Dixième année À partir de la date d'achat initiale	Toute pièce du Chauffe-Eau Hybride qui ne fonctionne pas à cause d'un vice de matériau ou de main-d'œuvre. Pendant cette garantie limitée de dix ans sur les pièces, la main-d'œuvre et le service liés au remplacement de la pièce défectueuse ne sont pas inclus.

Ce qui n'est pas compris:

- Les déplacements à votre domicile pour vous expliquer l'utilisation de ce produit.
- Une installation, livraison ou maintenance défectueuse.
- Une panne du produit par abus d'utilisation, par mauvaise utilisation, par modification, par utilisation commerciale ou s'il a été utilisé dans un but autre que celui pour lequel il a été fabriqué.
- L'utilisation de ce produit avec une eau microbiologiquement insalubre ou de qualité inconnue sans désinfection adéquate en amont ou en aval du système.
- Le remplacement des fusibles ou le réenclenchement du disjoncteur du domicile.
- Tout dommage causé par accident, par la foudre, par un incendie, par inondation ou par une catastrophe naturelle.
- Les dommages directs et indirects, causés par des défaillances possibles de l'appareil, de son installation ou de sa réparation.
- P Tout produit auquel il n'est pas possible d'accéder pour effectuer les réparations nécessaires. Les installations dans un grenier nécessitent un plancher approprié et un accès par des escaliers.
- Si le produit ou un autre appareil déménagé doit être déplacé pour procéder aux réparations.
- Si le produit est retiré de son emplacement original.
- Les dommages, les dysfonctionnements ou les pannes causés par l'utilisation d'un service de réparation non approuvé par GE.
- Les dommages, les dysfonctionnements ou les pannes causés par l'utilisation de pièces ou de composants non autorisés.
- Consommation et remplacement de la tige d'anode.
- Les dommages, les dysfonctionnements ou les pannes causés par l'utilisation du chauffe-eau à thermopompe sans tige d'anode.
- Les dommages, les dysfonctionnements ou les pannes causés par l'utilisation de la thermopompe avec un réservoir vide ou partiellement vide.
- Les dommages, les dysfonctionnements ou les pannes causés par des pressions dans le réservoir supérieures à celles indiquées sur la plaque signalétique.
- Les dommages, les dysfonctionnements ou les pannes causés par l'utilisation du chauffe-eau à thermopompe avec des tensions dépassant les tensions inscrites sur la plaque signalétique
- Une défaillance du chauffe-eau en raison de l'utilisation de l'appareil dans une atmosphère corrosive.
- Si ce chauffe-eau hybride sert à un usage autre que résidentiel et familial, la garantie ne couvrira pas la main-d'œuvre et elle sera réduite à 1 an à partir de la date d'achat pour les pièces.

EXCLUSION DE GARANTIES IMPLICITES – Votre seul et unique recours est la réparation du produit selon les dispositions de cette Garantie limitée. Toutes les garanties implicites, incluant les garanties de commercialité et d'adéquation à un usage spécifique, sont limitées à une année ou à la période la plus courte autorisée par la législation.

Cette garantie s'étend à l'acheteur initial et à tout propriétaire ultérieur pour les appareils achetés pour un usage au Canada ou aux États-Unis. Si le produit est installé dans une région où ne se trouve aucun réparateur autorisé GE Appliances, vous devrez peut-être assumer les frais de transport ou apporter expédier le produit à un centre de service autorisé GE Appliances. En Alaska, cette garantie exclut le coût d'expédition ou les appels de service à votre site.

Certains États ou provinces n'autorisent pas l'exclusion ou la restriction des dommages directs ou indirects. La présente garantie vous donne des droits juridiques particuliers, mais vous pouvez avoir d'autres droits qui varient d'un État ou d'une province à l'autre. Pour connaître vos droits, appelez le bureau de la protection du consommateur de votre localité, de votre État ou de votre province ou le procureur général de votre État.

En cas de produit acheté en dehors des États-Unis, contacter le lieu d'achat pour des renseignements de réparation et de garantie.

Garant pour les produits achetés aux États-Unis : GE Appliances

Agrafez le reçu d'achat ici. Pour obtenir le service sous garantie, vous devrez fournir la preuve de l'achat original.

Soutien au consommateur

Site Web de GE Appliances

Vous avez une question ou vous avez besoin d'aide pour votre appareil électroménager? Visitez le site Web de GE Appliances 24 heures par jour, tous les jours de l'année! Vous pouvez aussi y trouver d'autres formidables produits GE Appliances et tirer avantage de tous nos services d'assistance en ligne. Aux États-Unis : **GEAppliances.com**
Au Canada : **GEAppliances.ca**

Enregistrez votre électroménager

Enregistrez votre nouvel appareil en ligne au moment qui vous convient le mieux! L'enregistrement de votre produit dans les délais prescrits permet une meilleure communication et un service rapide, selon les modalités de votre garantie, si besoin est. Vous pouvez également envoyer par courrier la carte d'enregistrement pré-imprimée qui se trouve dans l'emballage de votre appareil.

Aux États-Unis : **GEAppliances.com/register**

Au Canada : **Prodsupport.mabe.ca/crm/Products/ProductRegistration.aspx**

Service de réparation

Un service de réparation expert GE Appliances se trouve à quelques pas de chez vous. Rendez-vous sur notre site et programmez, à votre convenance, une visite de réparation à n'importe quel jour de l'année.

Aux États-Unis : **GEAppliances.com/ge/service-and-support/service.htm** ou composez le 800.432.2737 durant les heures normales de bureau.

Au Canada : **GEAppliances.ca/en/support/service-request** ou composez le 800.561.3344

Prolongation de garantie

Procurez-vous une prolongation de garantie GE Appliances et informez-vous des rabais spéciaux en vigueur pendant la durée de votre garantie. Vous pouvez vous la procurer en ligne en tout temps. Les services GE Appliances seront toujours disponibles après l'expiration de la garantie. Aux États-Unis :

GEAppliances.com/ge/service-and-support/shop-for-extended-service-plans.htm ou composez le 800.626.2224 durant les heures normales de bureau.

Au Canada : **GEAppliances.ca/en/support/purchase-extended-warranty** ou composez le 800.290.9029

Connectivité à distance

Pour de l'assistance concernant la connectivité au réseau sans fil (pour les modèles équipés de cette fonction), visitez notre site Web au **GEAppliances.com/ge/connected-appliances/** ou composez le 800.220.6899 aux États-Unis seulement.

Pièces et accessoires

Les personnes ayant les compétences requises pour réparer elles-mêmes leurs appareils peuvent recevoir directement à la maison des pièces ou accessoires (les cartes VISA, MasterCard et Discover sont acceptées). Commandez en ligne 24 heures par jour.

Aux États-Unis : **GEApplianceparts.com** ou par téléphone au 877.959.8688 durant les heures normales de bureau.

Les instructions contenues dans le présent manuel comportent des procédures que tout utilisateur peut effectuer. Les autres types de réparation doivent généralement être confiés à un technicien qualifié. Utilisez de prudence : une réparation ou un entretien mal effectués peuvent rendre l'utilisation de l'appareil dangereuse.

Les consommateurs au Canada doivent consulter les pages jaunes pour connaître le centre de service Mabe le plus proche, visiter notre site Web au **GEAppliances.ca/en/products/parts-filters-accessories** ou composer le 1.800.661.1616.

Communiquez avec nous

Si vous n'êtes pas satisfait du service après-vente de GE Appliances, communiquez avec nous depuis notre site Web en fournissant tous les détails dont votre numéro de téléphone, ou écrivez à :

Aux États-Unis : General Manager, Customer Relations | GE Appliances, Appliance Park | Louisville, KY 40225
GEAppliances.com/ge/service-and-support/contact.htm

Au Canada : Director, Consumer Relations, Mabe Canada Inc. | Suite 310, 1 Factory Lane | Moncton, N.B. E1C 9M3
GEAppliances.ca/en/contact-us



Residenciales Eléctricos e Híbridos Geospring™ CALENTADORES DE AGUA

INFORMACIÓN DE SEGURIDAD3

INSTRUCCIONES DE FUNCIONAMIENTO

Información del Tamaño5

Panel de Control.6

Modos de Funcionamiento7

Módulo ConnectPlus8

CUIDADO Y LIMPIEZA9

INSTRUCCIONES DE INSTALACIÓN 13

CONSEJOS PARA SOLUCIONAR PROBLEMAS19

Códigos de falla22

GARANTÍA23

SOPORTE AL CONSUMIDOR 24

MANUAL DEL PROPIETARIO

- GEH50DEEJS
- GEH50DFEJS
- GEH80DEEJS
- GEH80DFEJS

Escriba los números de modelo y de serie aquí:

Modelo # _____

Serie # _____

Los podrá encontrar en la etiqueta de detalles técnicos en la parte frontal de su calentador de agua.

GRACIAS POR HACER QUE GE APPLIANCES SEA PARTE DE SU HOGAR.

Ya sea que haya crecido usando GE Appliances, o que ésta es su primera vez, nos complace tenerlo en la familia.

Sentimos orgullo por el nivel de arte, innovación y diseño de cada uno de los electrodomésticos de GE Appliances, y creemos que usted también. Entre otras cosas, el registro de su electrodoméstico asegura que podamos entregarle información importante del producto y detalles de la garantía cuando los necesite.

Registre su electrodoméstico GE ahora a través de Internet. Sitios Web y números telefónicos útiles están disponibles en la sección de Soporte para el Consumidor de este Manual del Propietario.

También puede enviar una carta en la tarjeta de inscripción preimpresa que se incluye con el material embalado.



GE APPLIANCES

INFORMACIÓN IMPORTANTE DE SEGURIDAD. LEA TODAS LAS INSTRUCCIONES ANTES DE USAR.

ADVERTENCIA

Para su seguridad, siga las instrucciones de este manual a fin de minimizar riesgos de incendio o explosión, descargas eléctricas, o para evitar daños en su propiedad, lesiones personales o la muerte.

Asegúrese de leer y entender el Manual del Propietario en su totalidad antes de intentar instalar o usar este calentador de agua. Es posible que le ahorre tiempo y gastos. Preste especial atención a las Instrucciones de Seguridad. Si no se siguen estas advertencias, se podrán producir lesiones graves o la muerte. En caso de tener problemas para entender las instrucciones de este manual, o si desea realizar alguna pregunta, DETÉNGASE y solicite ayuda a un técnico del servicio calificado o al servicio eléctrico

ADVERTENCIA

Riesgo de Incendio - No guarde ni use gasolina u otros vapores inflamables y líquidos cerca de éste ni de otros electrodomésticos. Mantenga los tapetes y otros materiales combustibles alejados.

ADVERTENCIA

Apague el suministro de energía del calentador de agua si éste sufrió daños físicos o una inundación.

No utilice el calentador de agua nuevamente hasta que haya sido controlado en su totalidad por personal calificado del servicio técnico.

Precauciones de Seguridad

- A. Apague** el suministro de energía del calentador de agua si éste sufrió un sobrecalentamiento, incendio, inundación o daño físico.
- B. No** encienda el calentador de agua a menos que esté lleno de agua.
- C. No** encienda el calentador de agua si la válvula de cierre del suministro de agua fría está cerrada.

NOTA: Podrán ser emitidos vapores inflamables por Corrientes de aire en áreas circundantes al calentador de agua.

- D.** En caso de existir dificultad para entender o seguir las Instrucciones de Funcionamiento o la sección de Cuidado y Limpieza, se recomienda que una persona calificada o personal del servicio técnico realicen el trabajo.

PRECAUCIÓN

Riesgo de incendio - Se puede producir gas hidrógeno en un sistema de agua caliente abastecido por este calentador de agua, el cual fue usado por un período de tiempo prolongado (generalmente dos semanas o más). ¡EL GAS HIDRÓGENO ES EXTREMADAMENTE INFLAMABLE! Para disipar dicho gas y reducir el riesgo de lesiones, se recomienda que el grifo de agua caliente quede abierto durante varios minutos en el lavabo de la cocina, antes de usar cualquier artefacto eléctrico conectado al sistema de agua caliente. Si hay hidrógeno presente, habrá un sonido atípico tal como aire que escapa a través de la tubería cuando el agua comience a circular. No fume ni encienda una llama cerca del grifo en el momento en que éste se abra.

PARA INSTALACIONES EN EL ESTADO DE CALIFORNIA

La Ley de California requiere que los calentadores de agua residenciales sean sujetos, apuntalados o amarrados a fin de resistir caídas o desplazamientos horizontales debido a movimientos por terremotos. Para los calentadores de agua residenciales de hasta 52 galones (236.4 L) de capacidad, se podrá acceder a un catálogo con instrucciones genéricas para sujeción en caso de terremoto en: Office of the State Architect (Oficina del Arquitecto Estatal), 400 P Street, Sacramento, CA 95814 o se puede comunicar al 916.324.5315 o solicitar la asistencia de un vendedor de calentadores de agua.

Los códigos locales aplicables siempre determinarán la instalación. Para calentadores de agua residenciales de una capacidad superior a 52 galones (236.4 L) consulte sobre procedimientos de sujeción aceptables en la jurisdicción de construcción local .

Advertencia de la Proposición 65 de California:

ADVERTENCIA

Este producto contiene químicos que el Estado de California entiende que producen cáncer, defectos en el nacimiento u otros daños reproductivos.

LEA Y GUARDE ESTAS INSTRUCCIONES

INFORMACIÓN IMPORTANTE DE SEGURIDAD. LEA TODAS LAS INSTRUCCIONES ANTES DE USAR.

⚠
PELIGRO



Las temperaturas de agua superiores a 125°F pueden provocar quemaduras graves en forma instantánea o la muerte por quemaduras.

La configuración del control electrónico de temperatura normalmente aproxima la temperatura del agua de grifo. Sin embargo, ciertos factores pueden hacer que la temperatura alcance los 160°F a pesar de la configuración del control. Siempre pruebe el agua antes de bañarse o ducharse.

Los niños, los discapacitados y las personas mayores corren un riesgo mayor de sufrir una quemadura.

Consulte el manual de instrucciones antes de configurar la temperatura del calentador de agua.

Pruebe el agua antes de bañarse o ducharse.

Se encuentran disponibles válvulas limitadoras de temperatura; consulte el manual.

AJUSTE DE LA TEMPERATURA DEL AGUA

La seguridad, la conservación de la energía y la capacidad del agua caliente son factores que se deben considerar al seleccionar la configuración de la temperatura del agua en el calentador de agua. Las temperaturas del agua superiores a 125° F pueden ocasionar quemaduras graves o la muerte por escaldadura. Asegúrese de leer y seguir las advertencias detalladas en la etiqueta que aparece a continuación. Esta etiqueta también está ubicada en el calentador de agua, cerca de la parte superior del tanque.

Relación de Tiempo/ Temperatura en Quemaduras

Temperatura	Tiempo para Producir una Quemadura Grave
120°F (49°C)	Más de 5 minutos
125°F (52°C)	1-1/2 a 2 minutos
130°F (54°C)	Aproximadamente 30 segundos
135°F (57°C)	Aproximadamente 10 segundos
140°F (60°C)	Menos de 5 segundos
145°F (63°C)	Menos de 3 segundos
150°F (66°C)	Aproximadamente 1-1/2 segundos
155°F (68°C)	Aproximadamente 1 segundo

La tabla es cortesía de Shriners Burn Institute

El cuadro que se muestra a continuación podrá ser usado como guía para determinar la temperatura del agua apropiada para su hogar.

⚠ DANGER

Existe la posibilidad de que se produzca una QUEMADURA con Agua Caliente si el control de temperatura del agua está configurado demasiado alto. Los hogares donde haya niños pequeños, personas incapacitadas o mayores podrán requerir una configuración del termostato de 120° F (49° C) o inferior, a fin de evitar el contacto con el agua "CALIENTE".

El termostato fue configurado en la fábrica a 120° F (49° C) a fin de reducir el riesgo de lesiones por quemaduras. Ésta es la configuración inicial de temperatura recomendada, pero podrá ser ajustada a cualquier temperatura entre 100°F y 140°F (38°C y 60°C).

Para Ajustar la Temperatura

Siga estos pasos:

1. Presione la flecha UP (Arriba) o DOWN (Abajo) en la tecla del panel de control hasta la temperatura deseada.
2. Presione ENTER (Ingresar) para aceptar la nueva configuración.

Nota: Para cambiar de °F a °C, mantenga presionada la tecla MODE (Modo).

Controles de Seguridad

El calentador de agua está equipado con un control de límite de temperatura (TCO) que está ubicado sobre el elemento de calentamiento en contacto con la superficie del tanque. Si por alguna razón la temperatura del agua se vuelve excesivamente alta, el control de límite de temperatura interrumpe el circuito de energía hacia el elemento de calentamiento. Una vez que el control se abre, debe ser reiniciado de forma manual. El reinicio de los controles de límite de temperatura deberán ser realizados por un técnico calificado del servicio.

⚠ PRECAUCIÓN

La causa de la condición de temperatura alta deberá ser investigada por un técnico calificado del servicio o se deberá realizar una acción correctiva antes de volver a poner en uso el calentador de agua.

Para reiniciar el control de límite de temperatura:

1. Apague la corriente del calentador de agua.
2. Retire el panel(es) de acceso y el aislante del revestimiento. La tapa protectora del termostato deberá ser retirada.
3. Presione el botón rojo de REINICIO.
4. Reemplace el panel(es) de acceso y el aislante del revestimiento antes de encender la corriente del calentador de agua.

LEA Y GUARDE ESTAS INSTRUCCIONES

INFORMACIÓN DEL TAMAÑO DEL CALENTADOR DE AGUA

Para reemplazos en viviendas existentes:

Reemplazará el tanque de un calentador de agua existente? Si su calentador de agua actual le brindaba agua caliente en forma apropiada, y ningún cambio de plomería y/o renovaciones que requerirían demandas de agua caliente adicional están en proceso o planificadas, entonces:

- El Calentador de Agua Híbrido de GeoSpring™ puede reemplazar un calentador de agua eléctrico estándar de tamaño equivalente o menor.
- Si se pasa de un sistema de gas a uno eléctrico, el Calentador de Agua Híbrido de GeoSpring™ se podrá reemplazar por el siguiente calentador de agua con tanque de gas más pequeño.

Para instalaciones en construcciones nuevas:

Guía de Tamaño del Calentador de Agua Residencial			
Tamaño Familiar	Demanda*	Capacidad de Galón Recomendada	
		Eléctrico or GeoSpring™	Gas
5+	Alto	100 (378.5L)	75 (283.9L)
	Prom. o Bajo	80 (302.8L)	50 (189.3L)
3 to 4	Alto	80 (302.8L)	50-75 (189.3-283.9L)
	Prom. o Bajo	50 (189.3L)	40 (151.4L)
2 to 3	Alto	50 (189.3L)	40-50 (151.4-189.3L)
	Prom. o Bajo	40 (151.4L)	40 (151.4L)
1 to 2	Alto	40-50 (151.4-189.3L)	40-50 (151.4-189.3L)
	Promo. o. Bajo	30 (113.6L)	Prom. o Bajo

*Estimaciones para viviendas con Demanda Promedio o Baja:

- Uso de cabezales de ducha estándar o bajo (2.5 gpm/ 11.4L por minuto o menos)
- No hay duchas con cabezales múltiples y/o columnas de hidromasaje.
- Bañeras estándar (no muy grandes/ sin columnas de hidromasajes)

Capacidad del Calentador de Agua y Posición de Ajuste de Incremento de Temperatura

La configuración de la temperatura del calentador de agua tiene un gran impacto sobre la cantidad de agua caliente disponible para duchas y bañeras.

- La prueba de consumo/ ahorro y eficiencia energética de los calentadores de agua, incluyendo el GeoSpring™, es realizada de acuerdo con los requisitos del Departamento de Energía (Department of Energy, DOE) especificados en la fecha de fabricación.
- Las regulaciones de seguridad requieren una configuración de fábrica no superior a 125°F (52°C) para todos los calentadores de agua nuevos. Por lo tanto, si su antiguo calentador de agua fue configurado en una temperatura más alta que la de su nuevo calentador, con una posición de ajuste configurada de fábrica en 120° F (49° C), es posible que parezca que el nuevo calentador de agua brinda menor capacidad que su antiguo calentador de agua. Esto puede ser corregido incrementando la posición de ajuste de temperatura.
- Si se desea una mayor capacidad de agua caliente, incrementar la temperatura de 120° F a 135° F (49° a 57° C) permitirá que el mismo tanque de agua caliente dure aproximadamente un 25% más, ya que una menor cantidad de agua caliente es mezclada en la ducha o grifo.
- Incrementar la posición de ajuste de la temperatura del agua puede mejorar el rendimiento del lavado de lavavajillas y máquinas lavadoras.
- El usuario podrá ajustar la configuración de temperatura de acuerdo con sus necesidades. Siempre lea y entienda las instrucciones de seguridad que figuran en el manual del propietario, antes de configurar la posición de ajuste de temperatura.

Válvulas de Mezcla

- Están comercialmente disponibles válvulas mezcladoras para reducir la temperatura del agua en el lugar de uso, las cuales mezclan agua caliente y fría en las tuberías de agua derivadas. Para más información, comuníquese con un plomero matriculado o con la autoridad de plomería local.

Acerca de los controles

Aspecto de la Posición de Ajuste de Temperatura

El control de GeoSpring™ exhibirá la posición de ajuste de la temperatura en cualquier momento en que un botón del control sea presionado. Luego de 30 segundos de inactividad, la pantalla quedará en blanco. Sin embargo, el LED que indica el modo de funcionamiento seleccionado permanecerá encendido. Para activar el control en cualquier momento para visualizar la posición de ajuste de la temperatura, presione cualquier botón del control.

Encendido del Calentador de Agua

Esta unidad no cuenta con un botón de encendido. Una vez que el calentador de agua es enchufado y haya suministro de corriente, estará encendido. La pantalla mostrará la configuración de temperatura actual del agua y una luz LED se iluminará, indicando el modo de funcionamiento actual.

Para cumplir con las regulaciones de seguridad, los controles están preconfigurados de fábrica en 120° F (49° C) y en Hybrid Mode (Modo Híbrido). Se recomienda que la unidad esté configurada en Heat Pump (Bomba de Calentamiento), a fin de maximizar el ahorro de energía. El funcionamiento en Hybrid Mode (Modo Híbrido) brinda equilibrio en el ahorro de energía y en el uso conveniente del agua caliente. El consumo de energía informado está basado en el uso de la unidad en el modo Hybrid (Híbrido), en las condiciones de prueba requeridas por el Departamento de Energía (Department of Energy, DOE). El uso en configuraciones de temperatura baja o en el modo Heat Pump (Bomba de Calentamiento) brindarán ahorros incluso mayores.

Para Ajustar la Temperatura

Siga estos pasos:

1. Presione la flecha UP (Arriba) o DOWN (Abajo) en la tecla del panel de control hasta la temperatura deseada.
2. Presione ENTER (Ingresar) para aceptar la nueva configuración.

Nota: Para cambiar de °F a °C, mantenga presionada la tecla MODE (Modo).

Controles Funciones

1. Pantalla

2. Modos de Funcionamiento

3. Vacaciones

4. Selector de Modo

Use este botón para alternar entre los modos disponibles.

5. Teclas con Flechas

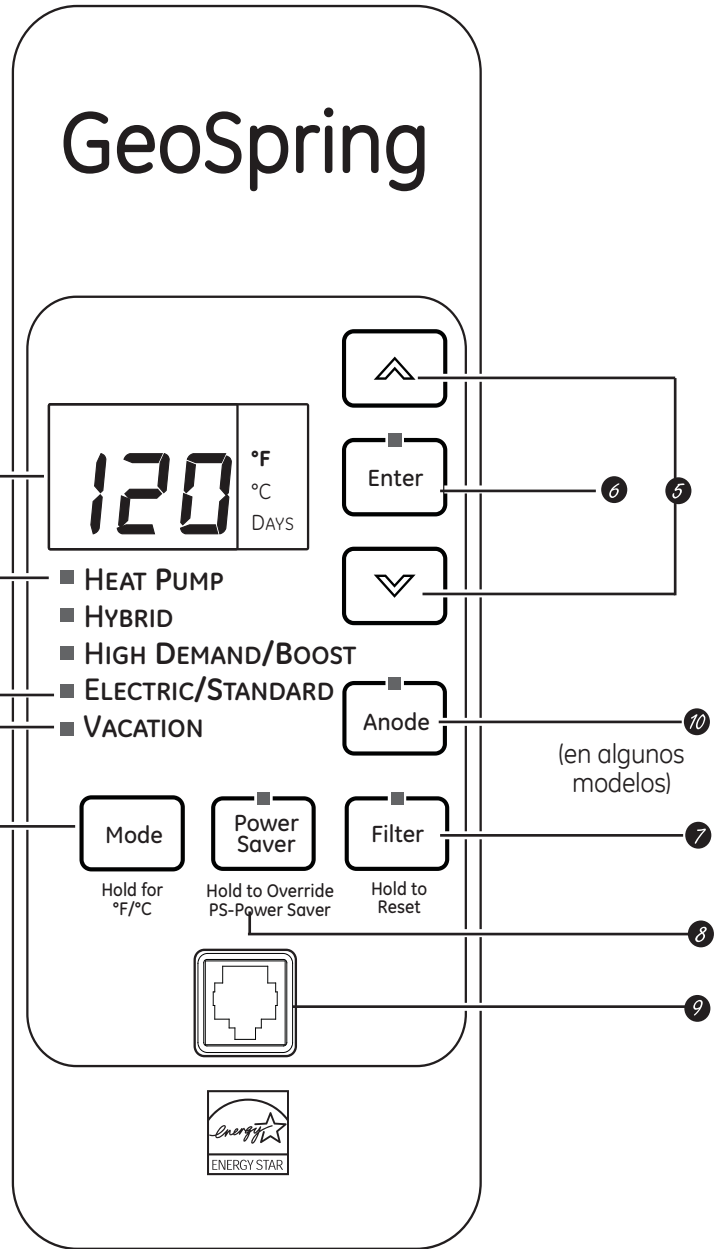
Use these buttons to adjust the temperature setting.

6. Tecla de Ingreso

Use este botón para confirmar la configuración de temperatura siguiendo el ajuste.

7. Reinicio del Filtro

El filtro está sucio y requiere una limpieza cuando la luz Roja está iluminada. El filtro está ubicado en la parte superior del calentador de agua. Mantenga presionado el botón durante 5 segundos para reiniciar la alarma del filtro.



8. Anulación del Ahorro de Energía

Si se utilizará con un programa de respuesta a demandas a través de una empresa local de servicios públicos, mantenga presionado el botón para desactivar el modo Power Saver (Ahorro de Energía) en la unidad.

9. Puerto del Módulo de Comunicación del Artefacto

Para uso con un módulo de comunicación con GE ConnectPlus opcional (para más detalles, consulte la página 8).

10. Reinicio del Ánodo (en algunos modelos)

Cuando la luz roja está iluminada, el sistema indicó que la varilla del ánodo se está acercando al final de su vida útil y se recomienda su reemplazo. Presione el botón una vez para silenciar la alarma. Mantenga presionado durante 10 segundos para reiniciar la alarma del ánodo luego del reemplazo.

Comuníquese con el servicio técnico de GE para reemplazar la varilla del ánodo. No reemplazar la varilla del ánodo anulará la cobertura de la garantía y esto podrá ocasionar pérdidas en el tanque. (Para acceder a instrucciones sobre cómo cambiar la varilla del ánodo, lea la página 12). Servicio Técnico de GE: 800.4GE.HEWH (888.443.4394).

Modos de Funcionamiento

Este calentador de agua funciona por defecto en el modo de funcionamiento Híbrido.

Para seleccionar modos disponibles que figuran a continuación:

1. Presione el botón MODE (Modo) hasta que la luz LED que está junto al Modo de Funcionamiento deseado esté iluminada.

Hybrid Mode (Modo Híbrido) y en High Demand/Boost Mode (Modo de Demanda Alta/ Aumentado), la Electric/Standard Mode LED (Luz LED en Modo Eléctrico/ Estándar) titilará en cualquier momento en que los elementos de calentamiento estén activos, como por ejemplo durante la recuperación inicial de un corte de luz. Esto es normal y no indica un problema de uso.

Eficiencia en Climas Fríos

Este calentador de agua con bomba de agua cumple con la Especificación Avanzada de Calentadores de Agua Tier 3, v6.0 (previamente conocida como Especificación del Clima del Norte) y puede calificar para reembolsos en algunas regiones. El cumplimiento con la especificación no requiere una configuración de Eficiencia en Climas Fríos (Cold Climate Efficiency, CCE) para modelos producidos luego del año 2015, y como resultado, es posible que la configuración CCE no esté disponible en su modelo. Consulte sobre reembolsos y requisitos a los servicios públicos locales.

Un kit del conducto está disponible para su uso con su calentador de agua de la bomba de calentamiento, si así lo desea. (Para consultar detalles sobre el kit del conducto, visite www.geospring.com).

Los kits del conducto pueden ser instalados para lograr un flujo directo del aire de entrada y salida para el funcionamiento del calentador de agua, o para permitir la instalación del calentador de agua en habitaciones inferiores a 700 pies cúbicos (19.8 metros cúbicos) o sin puertas de persianas, como se especifica en las instrucciones de instalación.

Modo Heat Pump (Bomba de Calentamiento solamente)—RECOMENDADO PARA UN MÁXIMO AHORRO

Heat Pump (Bomba de Calentamiento) es el modo más eficiente de uso de la energía en este calentador de agua. Toma calor del aire circundante para calentar el agua. El tiempo que toma calentar es agua es más prolongado en este modo, de manera que podrá no ser suficiente si tiene una situación de alta demanda tal como un hogar o empresa grande.

Modo Híbrido

Hybrid Mode (Modo Híbrido) combina la eficiencia de la energía de la Bomba de Calentamiento (solamente) con la velocidad y energía de recuperación del modo Electric/ Standard (Eléctrico/ Estándar) en la mayoría de las situaciones de uso del agua. Hybrid Mode (Modo Híbrido) permitirá que la unidad funcione como un calentador de agua eléctrico estándar, mientras brinda significativos ahorros de energía.

NOTA: El rendimiento de Energy Guide (Guía de Uso de Energía), el consumo y ahorro de energía están basados en instalaciones sin conductos en el funcionamiento en Hybrid Mode (Modo Híbrido) de acuerdo con las condiciones de prueba requeridas por el Departamento de Energía (Department of Energy, DOE). Utilizar el modo de funcionamiento Heat Pump (Bomba de Calentamiento) brindará mayores ahorros de energía y de costos de funcionamiento en relación a los ahorros indicados.

Alta Demanda/ Incremento

Este modo puede ser necesario si el uso de agua en su hogar supera el nivel promedio o si el rendimiento de la unidad es inferior a las demandas de agua de su hogar. En este modo, la unidad usará los elementos de calentamiento eléctricos sólo cuando el nivel de demanda de agua sea alto. Al usar los elementos de calentamiento, la temperatura del agua se recuperará en un nivel más alto pero usará más energía para calentar la misma. A diferencia del modo Eléctrico/ Estándar, éste usará los elementos de calefacción sólo cuando sea necesario, y usará la bomba de calentamiento cuando los niveles de demanda de agua sean inferiores.

NOTA: La diferencia entre Hybrid Mode (Modo Híbrido) y Alta Demanda/ Incremento es que en este último los elementos de resistencia del calor son activados antes que en el Modo Híbrido.

Modo Eléctrico/ Estándar

Este modo utiliza sólo los elementos de resistencia de calor superior e inferior para calentar el agua, deteniendo la descarga de aire durante la operación de bombeo de calor. El tiempo que toma calentar el agua es inferior en este modo, pero es el modo de MENOR eficiencia de energía.

Siga estos pasos para configurar el modo Electric/Standard (Eléctrico/ Estándar).

1. Seleccione el modo Electric/Standard (Eléctrico/ Estándar) utilizando el botón Mode (Modo).
2. Ingrese los días totales para permanecer en el modo Electric/ Standard (Eléctrico/ Estándar) usando la flecha UP (Arriba). La acción por omisión es de 3 días, hasta un máximo de 99 días.
3. Presione ENTER (Ingresar).

Al final del período de tiempo seleccionado, la unidad volverá al modo de eficiencia energética, seleccionado previamente.

NOTA: En este modo, la luz de LED verde titilará luego de 48 horas como indicación de que la unidad no está funcionando en el modo de energía más eficiente. La unidad continuará operando en este modo y no indica un problema de funcionamiento.

Modo de Vacaciones

Esta función es recomendada para cuando no esté en su hogar por un período de tiempo prolongado y el agua caliente no sea necesaria. En este modo, la unidad reducirá la configuración de la temperatura del agua a 50° F (10° C) y usará el modo de calentamiento más eficiente para conservar la energía mientras el calentador queda inactivo. La unidad reiniciará el calentamiento de forma automática un día antes de su regreso, de modo que haya agua caliente disponible.

Para configurar el Modo de Vacaciones:

1. Seleccione VACATION (Vacaciones) utilizando el botón MODE (modo).
2. Ingrese el número total de días que no estará, presionando la flecha UP (Arriba). La cantidad por omisión es de 7 días, hasta un máximo de 99 días, o permanezca en Vacation Mode (Modo de Vacaciones) de forma indefinida seleccionando "---".
3. Presione ENTER (Ingresar).

Por ejemplo, si estará afuera durante 14 días, configure el modo Vacation (Vacaciones) durante 14 días usando los pasos anteriores. La configuración de temperatura se reducirá de forma automática a 50°F (10°C) durante 13 días. Al final del día 13, el modo de funcionamiento anterior y la configuración de temperatura se reiniciarán, a fin de asegurar que haya agua caliente disponible a su regreso.

Opciones de Períodos de Cierre Extendidos

Si el calentador de agua permanecerá inactivo por un período de tiempo extendido, el encendido y el agua hacia el electrodoméstico deberían ser apagados y el calentador de agua drenado para conservar la energía y evitar la acumulación de gas hidrógeno peligroso. La unidad no cuenta con un botón de encendido; sólo puede ser apagada con el disyuntor o la ficha de desconexión.

Si el calentador de agua cuenta con la función del sensor de agotamiento del ánodo (en algunos modelos) y el calentador de agua no puede ser drenado, se recomienda dejar activado el encendido con el calentador de agua en el modo vacaciones, para asegurar que la función continuará en funcionamiento de forma correcta mientras aún conserve corriente.

El calentador de agua y la tubería deberían ser drenados en caso de que pudieran estar sujetas a temperaturas bajo cero.

Luego de un período de cierre prolongado, el funcionamiento y los controles del calentador de agua deberían ser controlados por personal calificado del servicio técnico. Asegúrese de que el calentador de agua se llene en su totalidad nuevamente antes de ponerlo en funcionamiento.

NOTA: Consulte las Precauciones sobre el Gas Hidrógeno en la Instrucciones de Funcionamiento (lea la página 3).

Módulo de ConnectPlus (adónde es instalado)

Su calentador de agua GeoSpring es compatible con WiFi Connect de GE Appliances a través del módulo Connect Plus de GE Appliances, el cual se vende por separado. El módulo ConnectPlus permitirá que su calentador de agua se comunice con su teléfono inteligente para el monitoreo remoto, control de configuraciones y modo de vacaciones, y recepción de alertas y notificaciones. Para aprender más sobre las funciones del electrodoméstico conectado, para saber qué aplicaciones del electrodoméstico conectado funcionarán con su teléfono inteligente y para saber dónde puede adquirir un módulo ConnectPlus de GE Appliances, visite www.GEAppliances.com/connect.

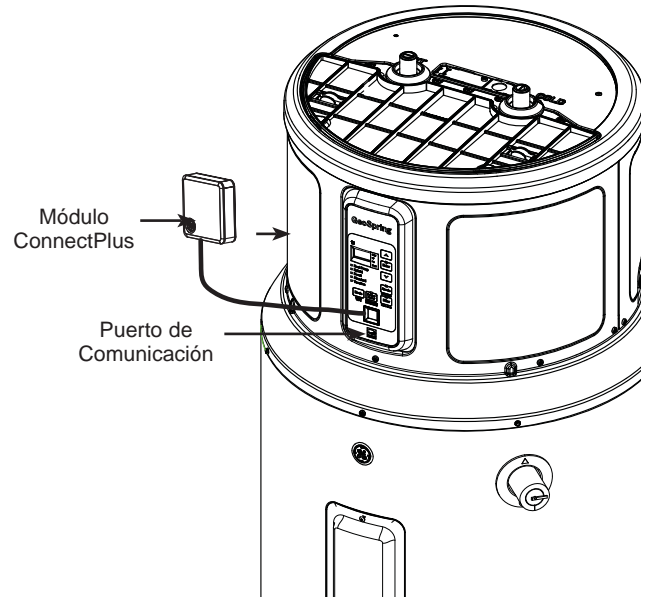
Instalación

El módulo ConnectPlus está equipado con imanes en la base del módulo, los cuales permiten que esté adherido al exterior metálico pintado del calentador de agua GeoSpring. Para conectar su calentador de agua a Internet a través de su enrutador inalámbrico de Internet hogareño, enchufe el cable del ConnectPlus al puerto de comunicación en el frente de su GeoSpring y siga las instrucciones de activación en la aplicación de su teléfono inteligente.

Conectividad WiFi: Para solicitar ayuda con el electrodoméstico o con la conectividad de red del ConnectPlus, comuníquese al 1-800220-6899.

El FCCID del módulo ConnectPlus está ubicado en la parte trasera del módulo.

Exposición a RF – Sólo se autoriza el uso de este dispositivo a través de una aplicación móvil. Se deberá mantener en todo momento una distancia de separación mínima de 20 cm entre el dispositivo ConnectPlus y el cuerpo del usuario.



Aviso: La conexión del Puerto de Comunicación cuenta con voltaje no compatible con computadoras o accesorios. NO enchufe laptops, módems, enrutadores, etc. en el Puerto de Comunicación. Use sólo con los Accesorios de GE Appliances designados. La conexión a computadoras y accesorios podrá resultar en daños sobre el producto.

Cuidado y limpieza

Superficies Exteriores

Lávese las manos sólo con agua caliente.

Rutina de Mantenimiento Preventivo

⚠ PELIGRO Riesgo de Escaldadura - Antes de utilizar manualmente la válvula de alivio, asegúrese de que nadie esté expuesto al peligro de tener contacto con el agua caliente liberada por la válvula. Es posible que el agua esté lo suficientemente caliente como para crear riesgo de quemaduras. El agua deberá ser liberada a través de un drenaje adecuado, a fin de evitar lesiones o daños sobre la propiedad.

NOTA: Si la válvula de temperatura y liberación de presión en el calentador de agua caliente se descarga periódicamente, esto se podrá deber a la expansión térmica en un sistema de agua cerrado. Para obtener información sobre cómo corregir esto, comuníquese con un proveedor de agua o con un contratista de plomería. No enchufe la ficha de la válvula de alivio.

Si se mantiene correctamente, el calentador de agua brindará años de servicios sin problemas. Se sugiere que se establezca el siguiente programa de mantenimiento preventivo anual.

1. Inspeccione la Válvula de Temperatura y Alivio de Presión
2. Inspeccione los elementos de calentamiento, TCO y cableado de cada uno.
3. Drene y deje correr el agua del tanque de calentamiento.
4. Limpie el filtro de aire.
5. Despeje la olla de drenaje condensado y drene las tuberías.
6. La varilla del ánodo debe ser retirada e inspeccionada.

Válvula de Temperatura y Alivio de Presión:

Una vez al año, se recomienda levantar y liberar la manija de la palanca de la válvula de temperatura y alivio de presión, ubicada en el área frontal derecha del calentador de agua, a fin de asegurar que la válvula funcione libremente. Deje que corran varios galones a través de la línea de descarga hasta un drenaje abierto.

Elementos de Calentamiento y TCO:

Una vez al año, se recomienda inspeccionar los elementos de calentamiento, TCO y el cableado de cada uno. La inspección debe ser completada por personal del servicio técnico calificado en reparación de artefactos eléctricos.

La mayoría de los artefactos eléctricos, incluso cuando son nuevos, realizan ciertos sonidos cuando están en funcionamiento. Si el nivel de sonido de siseo o canto se incrementa de forma excesiva, es posible que se requiera una limpieza del elemento de calentamiento eléctrico. Comuníquese con un instalador o plomero calificado para que se realice una inspección.

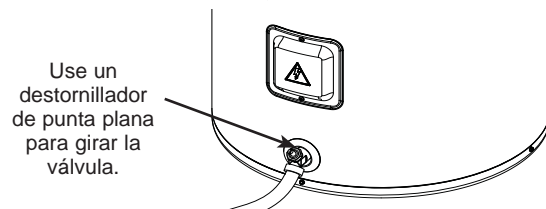
Drenaje y Flujo del Agua Caliente

⚠ PRECAUCIÓN Riesgo de Descarga - Cierre el encendido del calentador de agua antes de drenar el agua.

⚠ PELIGRO Riesgo de Escaldadura - Antes de utilizar manualmente la válvula de alivio, asegúrese de que nadie esté expuesto al agua caliente liberada por la válvula. El agua drenada del tanque podrá estar lo suficientemente caliente como para presentar un riesgo de quemadura y deberá ser dirigida a un drenaje adecuado a fin de evitar lesiones o daños.

El tanque de un calentador de agua puede funcionar como un depósito de sedimentación para sólidos suspendidos en el agua. Por lo tanto, no es común que se acumulen depósitos de agua dura en el fondo del tanque. Para limpiar estos depósitos del tanque, se recomienda drenar y dejar correr agua en el tanque del calentador de agua una vez al año. Para drenar el calentador de agua, siga estos pasos:

1. Apague el encendido de la unidad. Los elementos de calentamiento eléctrico se dañarán si se utilizan sin agua.
2. Adjunte una manguera de jardín a la válvula de drenaje ubicada en la parte inferior de la unidad y dirija dicha manguera hasta el drenaje.
3. Cierre el suministro de agua fría.
4. Permita el ingreso de aire al tanque abriendo un grifo de agua caliente o levantando la manija de la válvula de alivio.
5. Abra la válvula de drenaje con un destornillador plano.



Purga del Tanque:

1. Siga los pasos anteriores para drenar el calentador de agua.
2. Una vez vaciado el calentador de agua, con la válvula de drenaje abierta y la manguera de jardín conectada a la válvula de drenaje, abra el suministro de agua fría.
3. Deje que corran varios galones a través de la válvula de drenaje y de la manguera, hasta un drenaje abierto.
4. Cierre el suministro de agua y espere a que cualquier resto de agua en el tanque se drene.
5. Repita los pasos 3 y 4 hasta que no haya más agua.
6. Cierre la válvula de drenaje y llene el tanque antes de volver a encender la unidad. El tanque estará lleno cuando salga agua de un grifo abierto de agua caliente cercano.

La purga se deberá realizar con el tanque vacío, a fin de promover la eliminación adicional de sedimento.

NOTA: Para conocer el diseño esquemático del producto, consulte la página 14.

Cuidado y limpieza

Limpieza del Filtro

En los modos Hybrid (Híbrido), Heat Pump (Bomba de Calentamiento) y High Demand/Boost (Demanda Alta/Incrementar), el calentador de agua mueve aire a través del filtro y hacia la parte trasera de la unidad. El filtro está ubicado para proteger el evaporador de la suciedad y el polvo.

Es importante contar con un filtro de aire limpio para obtener el mayor nivel de eficiencia. De forma ocasional, este filtro deberá ser limpiado. Cuando se requiera una limpieza del filtro, la luz Roja sobre el botón FILTER (Filtro) estará iluminada y sonará una alarma.

NOTA: Si el filtro está demasiado sucio, la unidad pasará automáticamente al modo Electric (Fan off)/ Standard (Fan off) (Eléctrico con ventilador apagado/ Estándar con ventilador apagado) y los ahorros de energía se perderán.

Deje el encendido activado. Retire el filtro de la parte superior de la unidad. Presione dos lengüetas y levante las mismas para retirar el filtro de aire. Una vez retirado, el filtro podrá ser aspirado o limpiado con una tela húmeda o enjuagado con agua caliente.

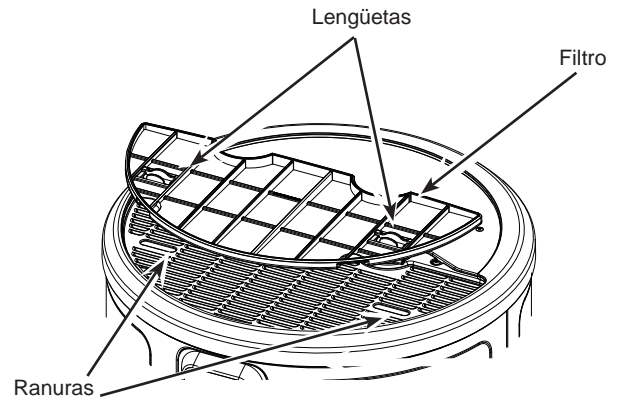
Una vez que el filtro fue limpiado y seco, podrá ser reemplazado alineando el mismo en las ranuras en la parte superior de la unidad y presionando el mismo hacia abajo hasta su ubicación.

Una vez que el filtro limpio fue reinstalado, mantenga presionado el botón FILTER (Filtro) para reiniciar la alarma. La unidad pasará de forma automática al modo de funcionamiento previamente seleccionado. Si un ciclo de calentamiento está activo cuando la alarma del filtro es reiniciada, continuará en el modo Electric/

Standard (Eléctrico/ Estándar) para finalizar el ciclo, y luego pasará de forma automática al modo previamente seleccionado.

IMPORTANT: Filter must be cleaned when the alarm is displayed. A dirty filter will make the system work harder and result in a reduction of efficiency and possible damage to the system. In order to get the best energy efficiency available, make sure your filter is clean.

NOTA: Si la alarma del filtro sucio vuelve a sonar en pocos días luego de realizar la limpieza y el reinicio, esto podrá estar indicando la pérdida de refrigerante. Es necesario un diagnóstico más amplio por parte del servicio técnico.

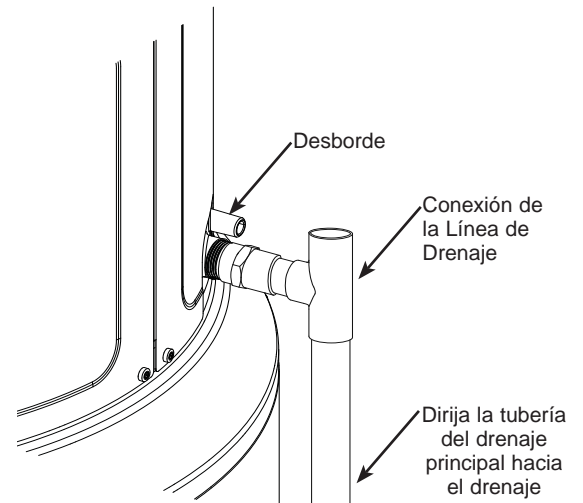


Clearing the Condensation Drain Tube

La función del drenaje principal es eliminar toda la condensación. Si está atascada, la bomba de calentamiento detendrá su funcionamiento, la pantalla mostrará F20, y sonará una alarma. Presione cualquier botón para silenciar la alarma, luego despeje el drenaje condensado eliminando cualquier línea de drenaje o conexión, y eliminando restos. Vuelva a conectar las líneas de drenaje y conexiones, y luego deje funcionar el calentador de agua. El calentador de agua GeoSpring continuará produciendo agua caliente, utilizando los elementos de la resistencia de calentamiento de refuerzo, hasta que el drenaje condensado haya sido despejado, y pueda drenar de forma apropiada. Una vez despejado el drenaje, la unidad podrá entonces hacer funcionar la bomba de calentamiento nuevamente.

De forma periódica, inspeccione las líneas de drenaje y limpie cualquier escombros que se haya recolectado en las líneas.

Para más información, consulte las Instrucciones de Instalación.



Cuidado y limpieza

Rutina de Mantenimiento Preventivo

Varilla del Ánodo

Las varillas del ánodo fueron diseñadas e instaladas para proteger y extender la vida útil de los tanques de almacenamiento de aguas residenciales.

La varilla del ánodo debe ser retirada del tanque del calentador de agua e inspeccionada de forma anual, y deberá ser reemplazada cuando más de 6" (15.2 cm) de cable del centro queden expuestas en cada extremo de la varilla. El agua ablandada de forma artificial hará que la varilla del ánodo se consuma con mayor rapidez.

Debido al riesgo de descarga y a fin de evitar goteos de agua accidentales, esta inspección deberá ser realizada por un técnico calificado o plomero, y se requiere que la corriente eléctrica y el suministro de agua fría estén desconectados antes de realizar el servicio técnico de la varilla del ánodo.

AVISO: No retire la varilla del ánodo del tanque del calentador de agua, excepto para su inspección y/o reemplazo, ya que el funcionamiento sin la varilla del ánodo acortará la vida útil del tanque vitrificado y anulará la cobertura de la garantía.

Algunas áreas presentan condiciones de agua que pueden hacer que se genere un olor en el calentador de agua. Varillas de reemplazo de aluminio-zinc de aleación están disponibles para tratar el problema.

*** NOTA:** No reemplazar la varilla del ánodo cuando esté consumida pone en riesgo la anulación de la garantía del tanque. La cobertura de la garantía de todos los demás componentes permanecerá intacta, y no se verá afectada por este requisito de mantenimiento. El reemplazo de la varilla del ánodo y la inspección del consumo no están cubiertos por la garantía.

Información adicional para los modelos con la función del sensor de agotamiento del ánodo (botón del Ánodo en el Control):

Cuando la varilla del ánodo con sensor de agotamiento se acerca al final de su vida útil, la luz roja que se encuentra sobre el botón ANODE (Ánodo) se iluminará y el control emitirá un pitido y mostrará F16. Cuando esto ocurra, la varilla del ánodo deberá ser inspeccionada y reemplazada si el cable principal en la parte superior de la varilla del ánodo está expuesto o si la longitud de la varilla del ánodo es inferior a 33" (83.8 cm.). * Se recomienda el reemplazo de la varilla del ánodo tan pronto como sea posible, a fin de asegurar que el tanque continúe estando protegido de la corrosión. Comuníquese al Servicio Técnico de GE Appliances para ordenar o reemplazar la varilla del ánodo. (Para acceder a instrucciones sobre cómo cambiar la varilla del ánodo, lea la página 12). Servicio Técnico de GE Appliances: 888.4GE.HEWH (888.443.4394).

Presione el botón ANODE (Ánodo) una vez para silenciar la alarma. Luego del reemplazo, reinicie la alarma manteniendo presionado el botón ANODE (Ánodo) durante 10 segundos, hasta que el control emita un sonido y el LED sobre el botón se apague.

Si la varilla del ánodo de aluminio-zinc es instalada para tratar un problema de olor en el agua, la función del sensor de agotamiento del ánodo deberá estar desactivada. Si es desactivada, se requerirán inspecciones anuales de la varilla del ánodo, ya que el calentador de agua ya no podrá alertar cuando la varilla del ánodo esté agotada.

Para desactivar la función:

1. Al completar la carga luego de la instalación de una varilla del ánodo de aluminio-zinc, el control hará sonar una alarma y aparecerá F17. Presione el botón ANODE (Ánodo) para silenciar la alarma.
2. Presione el botón ANODE (Ánodo) 3 veces. "Off" (Apagado) u "On" (Encendido) se mostrará, para confirmar que la función fue desactivada/ activada.

Para activar la función si una nueva varilla del ánodo con sensor de agotamiento del ánodo es instalada, siga el Paso 2 más arriba.

NOTA: Si la pantalla está en blanco, presione cualquier botón para activar el control antes de ingresar una combinación de botones.

NOTA: Si el calentador de agua fue instalado con un dispositivo que periódicamente corta la corriente al calentador de agua, la precisión de la función del sensor de agotamiento de la varilla del ánodo se podrá ver comprometida y se requiere una supervisión de la varilla del ánodo cada 2 o 3 años.

Si el calentador de agua estará inactivo por un período de tiempo prolongado y el calentador de agua no puede ser drenado, se recomienda dejar activado el encendido con el calentador de agua en el modo vacaciones, para asegurar que la función continuará funcionando de forma correcta mientras aún conserve corriente.

NOTA: Consulte las Precauciones sobre el Gas Hidrógeno en las Instrucciones de Funcionamiento (consulte la página 3).

Varilla del ánodo

⚠ PRECAUCIÓN - AVISO DE SEGURIDAD IMPORTANTE

Se espera que esta información sea usada por individuos que posean una experiencia adecuada a nivel eléctrico, electrónico y mecánico. Cualquier intento de reparar un electrodoméstico grande podrá producir como resultado lesiones personales y daños sobre la propiedad. El fabricante o vendedor no serán responsables por la interpretación de esta información, ni asumirán cualquier responsabilidad en conexión con su uso.

Herramientas que necesitará:

- Destornillador Plano T20
- Destornillador plano
- Cinta
- Llave para Tomacorriente
- Extensión de Tomacorriente de 12" de longitud
- Tomacorriente de 11/16"
- Sellador Softset
- Varilla del Ánodo si es necesaria

*Para acceder a instrucciones para ordenar piezas, consulte la página 24.

To service the Anode Rod:

1. Desconecte la corriente, cierre el suministro de agua, y parcialmente drene uno o dos galones del calentador de agua a través de la válvula de drenaje inferior.
2. Retire el Filtro, el Anillo del Borde, y la Tapa Superior Frontal como se muestra en la Ilustración A.

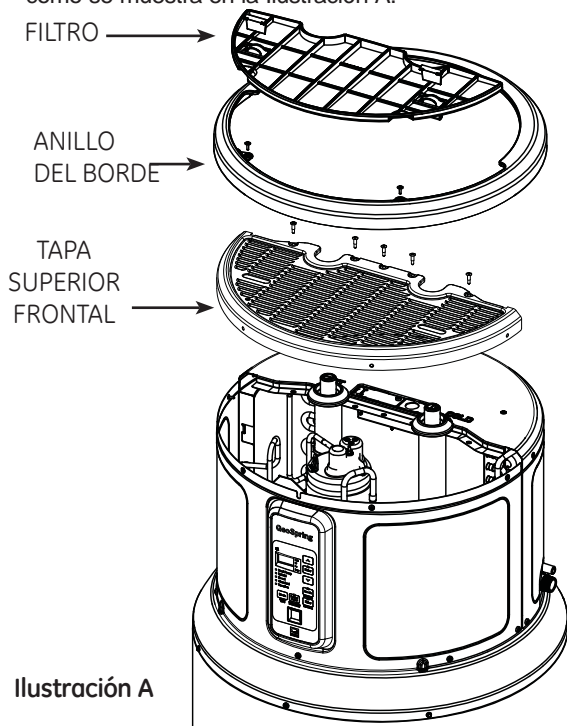


Ilustración A

3. Reinstale el Anillo del Borde, coloque una capa protectora de cinta en los extremos de la hoja metálica, y retire la Tapa de la Varilla del Ánodo, como se muestra en la Ilustración B.
4. Si se encuentra presente, retire el aislante para descubrir la varilla del ánodo como se muestra en la ilustración C. Desenchufe el cable del ánodo (en algunos modelos).

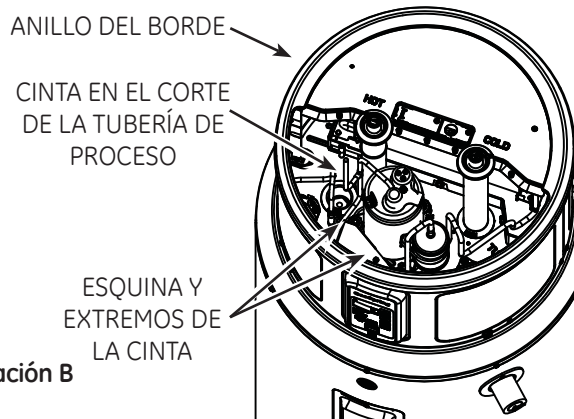


Ilustración B

5. Utilizando un tomacorriente de 11/6" y una extensión, destornille la Varilla del Ánodo, luego levante la misma para inspeccionar, como se muestra en la ilustración D.

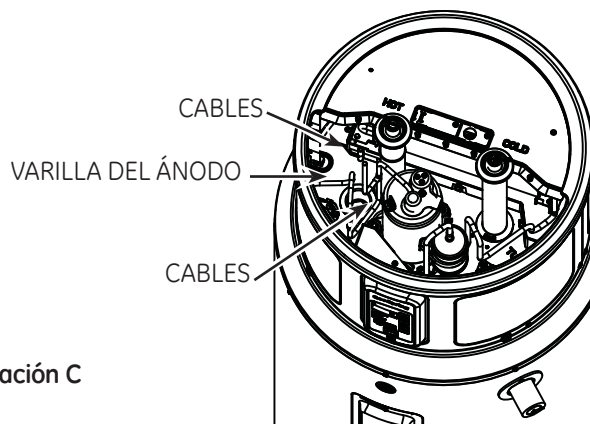


Ilustración C

6. Para instalar la varilla del ánodo, selle las roscas con sellador para ajuste suave, enrosque en el puerto y use una llave dinamométrica para ajustar a 50 ± 5 pies por libras de giro. Enchufe el cable de la varilla del ánodo (en algunos modelos). Si se instala una varilla del ánodo de aluminio-zinc u otra sin sensor, la función del sensor de agotamiento del ánodo deberá ser desactivada y el extremo del cable encintado (algunos modelos).

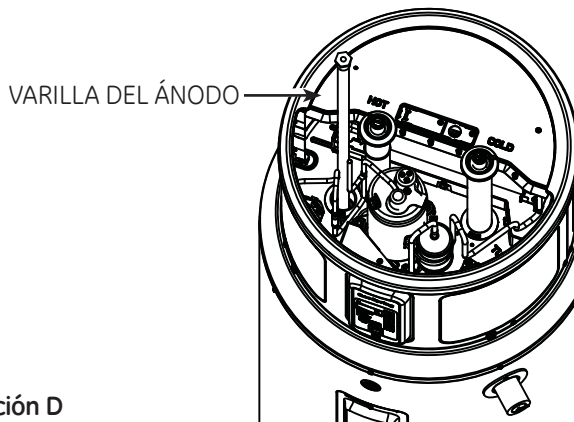


Ilustración D

7. Abra el suministro de agua, abra un grifo para retirar cualquier aire que pueda haber en el sistema de plomería, inspeccione que no haya pérdidas, luego vuelva a ensamblar la unidad en orden inverso, como se muestra en la Ilustración A, y conecte la corriente. Reinicie el botón ANODE (Ánodo) (algunos modelos) manteniendo presionado el mismo durante 10 segundos, para indicar que una nueva varilla del sensor de agotamiento del ánodo fue instalada.

Instrucciones de Instalación

Al elegir la ubicación del calentador de agua se deberá tener en cuenta lo siguiente:

REGULACIONES DE INSTALACIÓN LOCALES

Este calentador de agua deberá ser instalado de acuerdo con estas instrucciones, códigos locales, códigos de servicios públicos, requisitos de la empresa de servicios públicos o, en ausencia de códigos locales, la edición más reciente del Código Nacional de Electricidad. El mismo está disponible en algunas librerías locales, o se puede adquirir a través de National Fire Prevention Association (Asociación Nacional de Prevención de Incendios), Batterymarch park, Quincy, MA 02169 en cuadernillo ANSI/NFPA 70.

REQUISITOS DE ELECTRICIDAD

Controle las marcas en la placa de calificación del calentador de agua para estar seguro de que el suministro de corriente es consecuente con los requisitos del calentador de agua. **NOTA:** Las instalaciones de 208V podrán experimentar un rendimiento inferior.

UBICACIÓN

El calentador de agua y las líneas de agua deberían estar protegidos de las temperaturas bajo cero y atmósferas altamente corrosivas. No instale el calentador de agua en áreas al aire libre y desprotegidas.

Ubique el calentador de agua en un área seca y limpia, tan cerca como sea práctico del área de mayor demanda del calentador de agua. Las líneas de agua caliente largas y no aisladas podrán generar desperdicios de energía y agua. La unidad deberá ser instalada en una ubicación a nivel.

NOTA: Esta unidad fue diseñada para cualquier instalación común en áreas internas en un espacio de por lo menos 700 pies cúbicos (19.8 metros cúbicos) (por ejemplo: 10' x 10' x 7') incluyendo: garaje, lavadero, ático, placar, etc. Puede ser instalada en habitaciones con menos de 700 pies cúbicos (19.8 metros cúbicos) con la instalación de una puerta persiana, o dos secciones de persianas (una en la parte superior y una en la parte inferior de la puerta o pared para el flujo de aire), o con un kit del conducto de GE Appliances (para más detalles, consulte www.geospring.com). Las persianas deberán ser de 240 pulgadas cuadradas (0.15 m²) en el área de abertura para la entrada de aire o más grandes.

El servicio técnico del calentador de agua requiere una instalación adecuada de modo que el filtro de agua, las tapas, el anillo del borde y los paneles frontales puedan ser retirados a fin de permitir su inspección y servicio técnico. Este manual cuenta con instrucciones de instalación de referencia.

Las instalaciones en desvanes requieren escaleras de acceso y pisos sólidos sin vigas expuestas hasta la ubicación de la instalación. El traslado del calentador de agua u otros electrodomésticos para realizar su servicio técnico no estará cubierto por la garantía.

NOTA: El rango de funcionamiento de la bomba de calentamiento es de 35°F a 120°F (2°C a 49°C). Si la temperatura ambiente está fuera del rango, la bomba de calentamiento se apagará y los elementos eléctricos serán usados hasta que la temperatura ambiente regrese al rango de funcionamiento.

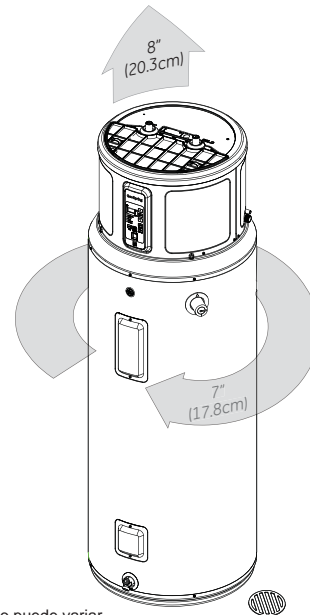
⚠ PRECAUCIÓN **Riesgo de daño sobre la propiedad - El calentador de agua no se debería ubicar en un área donde los goteos del tanque o las conexiones resulten en daños sobre el área adyacente a éste o a pisos inferiores de la estructura. Donde dichas áreas no puedan ser evitadas, se recomienda la instalación de una bandeja de recolección, con un drenaje adecuado, debajo del calentador de agua. Instalaciones del ático requieren escaleras de acceso y suelo sólido sin las vigas del piso expuestas.**

UBICACIÓN (CONT).

Despejes requeridos:

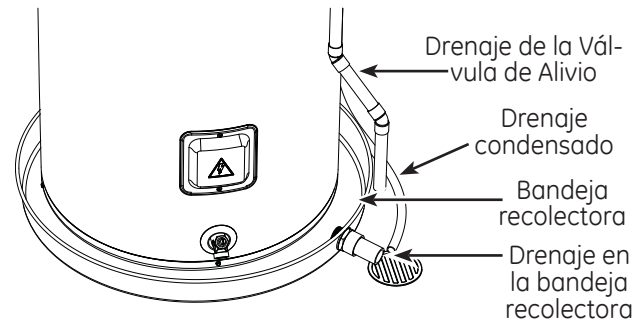
Es necesario contar con un espacio de 7' (17.8 cm) entre cualquier objeto y la parte trasera y los costados del calentador de agua, en caso de necesitar el servicio técnico. Se recomienda dejar un espacio mínimo de 8' (20.3 cm) arriba del calentador de agua para eliminar el filtro de limpieza y para el acceso al servicio, y despejar el acceso al frente del calentador de agua. También son aceptables las instalaciones que requieren un espacio de 6' a los costados o en la parte trasera del calentador de agua para correas antisísmicas. En estos casos, se deberá brindar un espacio adicional del lado opuesto de la unidad, para permitir el acceso al servicio técnico. La plomería y las conexiones eléctricas de agua caliente y fría no deben interferir con el retiro del filtro.

Si se compra un kit de tuberías de GE Appliances aparte, se requerirá espacio adicional en la parte superior y trasera del calentador de agua para la instalación. Para acceder a instrucciones específicas, consulte el manual del kit de tuberías. Para más detalles, visite www.geospring.com.



El aspecto del modelo puede variar

Instalación de la Bandeja de Recolección (Si se requiere)



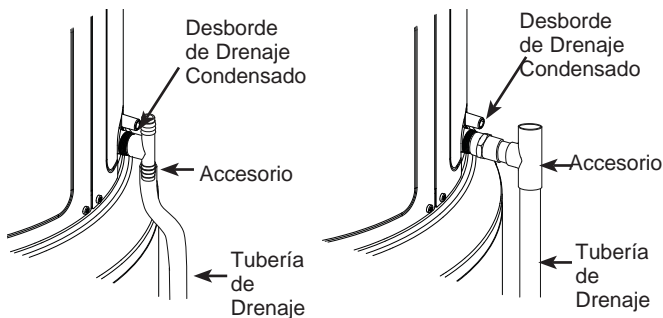
NOTA: La bandeja de recolección auxiliar DEBE cumplir con los códigos locales. Los Kits de Bandejas de Recolección están disponibles en la tienda donde el calentador de agua fue adquirido, una tienda de construcción o un distribuidor de calentadores de agua. La bandeja recolectora debería ser de un mínimo de 2" (5.1 cm.) más grande que el diámetro de la base del Calentador de Agua. A fin de evitar la corrosión y mejorar el acceso a la Válvula de Drenaje, se recomienda que el calentador de agua sea ubicado en espaciadores dentro de la bandeja recolectora.

Instrucciones de Instalación

CONEXIÓN DE DRENAJE DE CONDENSADO

Esta unidad cuenta con un drenaje condensado; por lo tanto, se deberá disponer de un piso u otro drenaje no superior a 36" (91.4 cm) sobre el piso, muy aproximado al calentador de agua, para permitir la instalación de una tubería de drenaje lo más corta posible y con la menor cantidad de giros posible. El drenaje debe cumplir con los códigos estatales y locales. Es importante instalar un accesorio FNPT de 3/4" ajustable a la tubería de drenaje rígida o flexible hasta el puerto principal de drenaje proveniente del costado de la unidad. No se recomienda la reducción del diámetro de una tubería de drenaje de 3/4".

Para asegurar que el drenaje de condensado fluye a el drenaje, asegúrese de que la línea de drenaje rígido o flexible mantiene una inclinación descendente para permitir el drenaje del condensado que ocurra por gravedad y para permitir un funcionamiento apropiado del sensor de bloqueos del drenaje de condensación (lea la página 10). Si no hay un drenaje disponible, entonces se deberá adquirir e instalar una bomba de condensación común con capacidad no inferior a 1 galón (3.8L)/ día. Es importante trazar una ruta de la tubería de drenaje flexible o rígida de modo tal que el agua descargada no pueda tener contacto con partes con cableado eléctrico ni causar daños.



(Instalaciones Típicas)

Piezas adicionales necesarias: 1- Tubería de drenaje flexible o rígida de 3/4" y asociada con un accesorio FNPT de 3/4"

EXPANSIÓN TÉRMICA

Si hay una válvula de control presente en la tubería de agua entrante, ésta creará un "sistema cerrado". Calentar agua en un sistema cerrado crea un incremento de la presión dentro del sistema de agua, ya que la presión no puede ser disipada en la tubería de suministro principal. Nombrado como "expansión térmica", el incremento rápido de presión puede hacer que la válvula de alivio funcione (liberando agua) durante cada ciclo de calentamiento, potencialmente causando fallas prematuras sobre la válvula o incluso en el calentador de agua. El método sugerido para controlar la expansión térmica es instalar un tanque de expansión en la tubería de agua fría, entre el calentador de agua y la válvula de control como se muestra en las siguientes ilustraciones. Para más información, comuníquese con su instalador, proveedor de agua o inspector de plomería.

CONEXIONES DEL SUMINISTRO DE AGUA

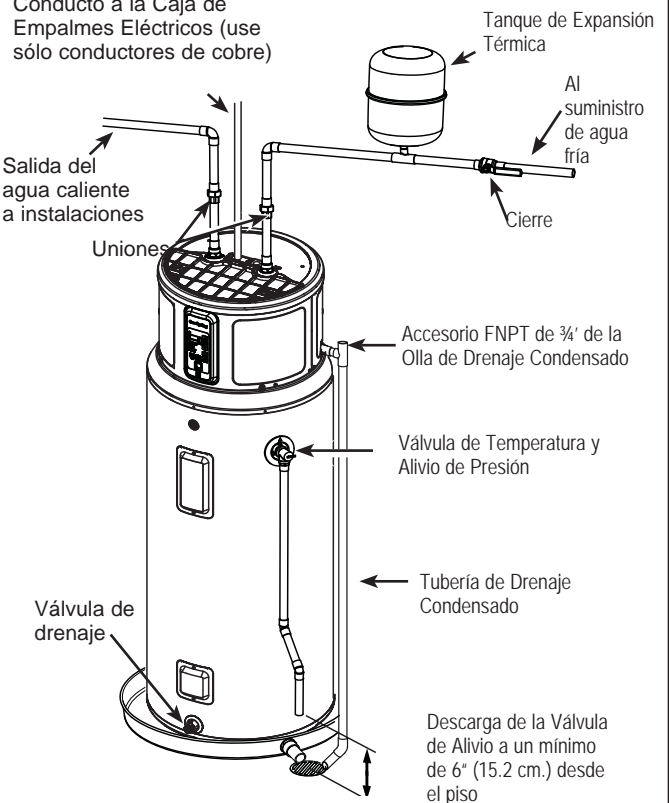
Para conocer la instalación típica sugerida, consulte la ilustración que aparece a continuación. Las conexiones de agua CALIENTE y FRÍA están claramente marcadas y son de NPT de 3/4" en todos los modelos. Al realizar la conexión a los puertos de entrada/ salida, se recomienda el uso de accesorios cónicos hembra con rosca de 3/4" con uso de sellador de roscas. Se recomienda la instalación de uniones en las conexiones de agua caliente y fría, de modo que el calentador de agua pueda ser fácilmente desconectado para realizar el servicio técnico, en caso de ser necesario.

NOTA: Instale una válvula de cierre en la línea de agua fría cerca del calentador de agua. Esto permitirá un fácil servicio técnico y mantenimiento de la unidad en forma posterior.

IMPORTANTE: No aplique calor a las conexiones de agua CALIENTE o FRÍA. Si se usan conexiones de soldadura blanda, suelde la tubería al adaptador antes de colocar el adaptador en las conexiones de agua fría del calentador. Cualquier calor aplicado a la conexión de agua caliente o fría dañará de forma permanente la línea plástica interna en estos puertos.

INSTALACIÓN TÍPICA

Conducto a la Caja de Empalmes Eléctricos (use sólo conductores de cobre)



El aspecto del modelo puede variar

VÁLVULA DE ALIVIO

⚠ ADVERTENCIA

Riesgo de daño sobre la unidad

- El índice de presión de la válvula de alivio no debe superar los 150 PSI (1.03 kPa), la máxima presión de funcionamiento del calentador de agua según se indica en la placa de calificación.

Se suministra una válvula de combinación de temperatura y alivio de presión, de acuerdo con el Estándar para las Válvulas de ALivio y Dispositivos de Cierre Automático de Gas para los Sistemas de Suministro de Agua Caliente, ANSI Z21.22, y debe permanecer instalada en la apertura provista y marcada para su propósito en el calentador de agua. Ninguna válvula de ningún tipo debería ser instalada entre la válvula de alivio y el tanque. Se deberá cumplir con los códigos locales en la instalación de las válvulas de alivio.

La calificación BTUH de la válvula de alivio no deberá ser inferior a la calificación de entrada del calentador de agua, de acuerdo con lo indicado en la etiqueta de calificación ubicada en la parte frontal del calentador (1 watt = 3.412 BTUH).

Conecte la salida de la válvula de alivio a un drenaje abierto adecuado, de modo que el agua descargada no pueda tener contacto con las partes eléctricas activas o personas y para eliminar posibles daños con el agua.

La tubería usada deberá ser de un tipo aprobado para la distribución de agua caliente. La línea de descarga no deberá ser más pequeña que la salida de la válvula y se deberá inclinar hacia abajo desde la válvula, a fin de permitir un drenaje completo (por la gravedad) de la válvula de alivio y la línea de descarga. El extremo de la línea de descarga no deberá estar insertado ni oculto y debería estar protegido del congelamiento. Ninguna válvula de ningún tipo, sujeción para restricción o reducción deberán ser instaladas en la línea de descarga.

⚠ PRECAUCIÓN

A fin de reducir el riesgo de presiones y temperaturas excesivas en este calentador de agua, instale equipamientos protectores de temperatura y presión, requeridos por los códigos locales y no inferiores a una válvula de combinación de temperatura y alivio de presión certificados por un laboratorio de evaluación reconocido a nivel nacional que mantenga inspecciones periódicas de la producción equipamiento y materiales listados, cumpliendo con los requisitos de Válvulas de Alivio y Dispositivos de Cierre de Gas Automáticos para Sistemas de Suministro de Agua Caliente, ANSI Z21.22. Esta válvula deberá contar con una marca de presión máxima que no supere la presión de trabajo máxima del calentador de agua. Instale la válvula en una apertura provista y marcada para este propósito en el calentador de agua, y oriente la misma o brinde una tubería, de modo que cualquier descarga de la válvula salga sólo arriba de los 6 pies, o a cualquier distancia inferior, el piso estructural, y que no tenga contacto con ninguna parte eléctrica activa. La apertura de la descarga no deberá ser bloqueada ni reducida de tamaño, bajo ninguna circunstancia.

TO FILL THE WATER HEATER

⚠ ADVERTENCIA

Riesgo de daño sobre la unidad

- El tanque debe estar lleno de agua antes de encender el calentador. La garantía del calentador de agua no cubre daños ni fallas como resultado de un funcionamiento con el tanque vacío o parcialmente vacío.

Asegúrese de que la válvula de drenaje esté completamente cerrada. Abra la válvula de cierre en la línea de suministro de agua fría. Abra todos los grifos de agua caliente lentamente, a fin de permitir que el aire se descargue desde el calentador de agua y la tubería. Un flujo parejo desde el grifo(s) de agua caliente indica que el calentador de agua está lleno.

Código de falla F11” durante la instalación: Si la unidad es encendida cuando el tanque no está lleno, se visualizará el código de error “F11” en la pantalla. Apague el encendido, llene el tanque con agua (lea más arriba), y luego vuelva a encender el calentador.

NOTA: la función DRY TANK DETECTION (Detección de Tanque Vacío) en el tanque es para ayudar al instalador y NO debe ser usada como control principal, a fin de evitar el funcionamiento con el tanque vacío o parcialmente lleno. NUNCA se debe activar la corriente en el calentador de agua hasta que el instalador haya verificado que el tanque esté lleno y que todo el aire haya sido purgado del sistema.

⚠ AVISO

Evite realizar las conexiones eléctricas en forma equivocada. Se deberán aplicar 240V AC o 208AC a través de los cables L1 y L2, como se muestra en la ilustración de la “caja de unión del calentador de agua”. Si no se hace esto, la garantía quedará ANULADA, y como resultado se podrán aplicar 120V al calentador de agua, lo cual podrá dañar el compresor u otros componentes eléctricos.

Si un cable con 4 conductores es suministrado al calentador de agua, cubra el neutro, y conecte los cables restantes como se muestra en la ilustración.

NOTA RELACIONADA CON LOS DISPOSITIVOS DE MANEJO DE ENERGÍA DE LOS SERVICIOS PÚBLICOS (A veces llamados Interruptores de Reducción de Picos de Carga):

Existen algunos dispositivos de interruptores de manejo de energía o incluso algunos interruptores básicos de temporizadores que REDUCEN el voltaje de 240V a 120V durante períodos de alta demanda de electricidad. Estos dispositivos deben ser retirados del circuito que provee corriente al calentador de agua, debido al posible daño de la unidad observado más arriba.

Sin embargo, los dispositivos con interruptores que cortan la corriente de 240V a 0V en forma periódica son aceptables.

Código de falla “bAd linE” durante la instalación: Si en la pantalla se visualiza la unidad no está recibiendo el voltaje correcto como resultado de un cableado incorrecto. Para corregir esta falla, apague la unidad, corrija el problema del cableado y luego vuelva a activar la corriente.

Instrucciones de Instalación

CONEXIONES ELÉCTRICAS

Un electricista calificado deberá instalar un circuito derivado individual con conductores de cobre, un dispositivo para la protección de sobrecarga y un medio adecuado de desconexión.

Todos los cableados deberán cumplir con los códigos locales o la edición más reciente del Código Nacional de Electricidad ANSI/NFPA 70.

El calentador de agua está completamente cableado a la caja de conexiones en la parte superior del calentador de agua. Se brinda una abertura de 1/2" para accesorios eléctricos para conexiones de cableados.

Los requisitos de carga de voltaje y vataje del calentador de agua son especificados en la etiqueta de calificación ubicada en la parte frontal del calentador de agua.

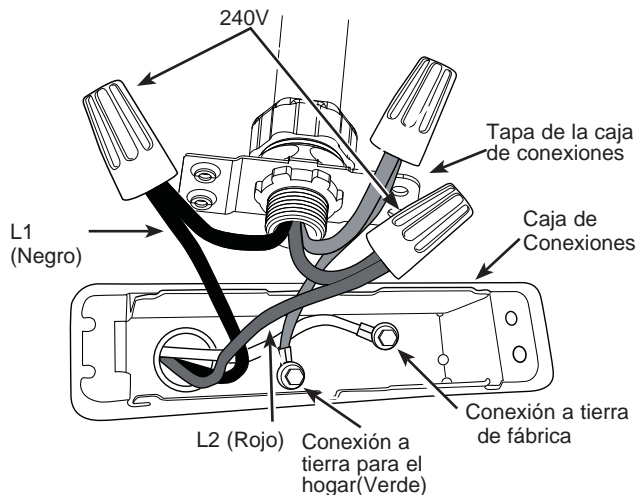
El cableado de circuito derivado debería incluir:

1. Conducto metálico o cable metálico enfundado aprobado para su uso como conductor de conexión a tierra y ser instalado con accesorios aprobados para dicho propósito.
2. Los cables no metálicos enfundados, conductos metálicos o cables metálicos enfundados no aprobados para uso como conductor de conexión a tierra incluirán un conductor separado para la conexión a tierra. Debería estar adjunto a las terminales de conexión a tierra del calentador de agua y la caja de distribución eléctrica.

Para conectar la corriente al calentador de agua:

1. Apague la corriente.
2. Retire el tornillo/ tornillos que sostienen la tapa superior de la caja de unión.
3. Instale L1 a L1, L2 a L2 y conecte a tierra al cable a tierra verde conectado a la parte inferior de la caja de unión.

NOTA: Instale las conexiones eléctricas de acuerdo con los códigos locales o la edición más reciente del Código Nacional de Electricidad ANSI/NFPA 70.



⚠️ ADVERTENCIA

Es esencial que la conexión a tierra sea la adecuada. La presencia de agua en la tubería y el calentador de agua no brindan la conducción suficiente para la conexión a tierra. La tubería no metálica, uniones dieléctricas, conectores flexibles, etc., pueden hacer que el calentador de agua quede eléctricamente aislado. No desconecte la conexión a tierra de fábrica.

La garantía del fabricante no cubre ningún daño o defecto ocasionado por la instalación, adhesión o uso de ningún tipo de ahorro de energía u otros dispositivos no aprobados (diferentes a aquellos autorizados por el fabricante) en, sobre o junto con el calentador de agua. El uso de dispositivos de ahorro de energía no autorizados pueden acortar la vida útil del calentador de agua y poner en riesgo su vida y su propiedad.

El fabricante queda eximido de toda responsabilidad por dicha pérdida o lesión resultante del uso de tales dispositivos no autorizados.

Si los códigos locales requieren la aplicación externa de kits de mantas aislantes, las instrucciones del fabricante incluidas en el kit se deberán seguir cuidadosamente.

La aplicación de cualquier aislante externo, mantas o aislante de la tubería de agua sobre este calentador de agua requerirá especial cuidado sobre lo siguiente:

- No cubra la válvula de temperatura y alivio de presión.
- No cubra los paneles de acceso a los elementos de calefacción.
- No cubra la caja de unión eléctrica del calentador de agua.
- No cubra las etiquetas de funcionamiento o advertencia del calentador de agua ni intente reubicar las mismas en la parte exterior de la manta aislante.
- No bloquee la entrada/ salida de aire en las tapas superiores o traseras de la unidad.

NOTA: En esta guía se recomienda el tamaño mínimo del circuito derivado en base al Código Nacional de Electricidad. Para las conexiones de cableados, consulte los diagramas de cableados del manual.

GUÍA DE TAMAÑOS PARA CIRCUITOS DERIVADOS

Voltaje Total del Calentador de Agua (calificación de amperaje de fusible o interruptor de circuitos)	Protección Recomendada para Sobrecarga (calificación de amperaje de fusible o interruptor de circuitos)			
	208V	240V	277V	480V
3,000	20	20	15	15
4,000	25	25	20	15
4,500	30	25	25	15
5,000	30	30	25	15
5,500	35	30	25	15
6,000	40	35	30	20
8,000	50	45	40	25
9,000	—	50	45	25
10,000	—	—	50	30
11,000	—	—	50	30
12,000	—	—	—	35

Voltaje Total del Calentador de Agua	Tamaño del Cable de Cobre AWG Basado en la Tabla N.E.C. 310-16 (167° F/ 75° C).			
	208V	240V	277V	480V
3,000	12	12	14	14
4,000	10	10	12	14
4,500	10	10	10	14
5,000	10	10	10	14
5,500	8	10	10	14
6,000	8	8	10	12
8,000	8	8	8	10
9,000	—	8	8	10
10,000	—	—	8	10
11,000	—	—	8	10
12,000	—	—	—	8

LISTA DE CONTROL DE LA INSTALACIÓN

- 1. Ubicación del Tanque:**
 - ¿Requiere el tamaño de la habitación una puerta de celosía, kit de tubería, o un tipo de ventilación similar? Se necesita un área de flujo de aire de 10" x 10" x 7" (700 pies cúbicos/ 19.8 metros cúbicos) o 240 pulgadas cuadradas (0.15 m²).
 - Parte trasera de la unidad **alejada de la pared** 7 pulgadas (17.5 cm.), y los costados por lo menos a una distancia de 7 pulgadas (17.5 cm.). (6 pulgadas (15.2 cm) de espacio para instalaciones de cintas antisísmicas, con espacio adicional del lado opuesto de la unidad).
 - El **frente** de la unidad está libre y despejado.
 - ¿Está nivelado el calefactor de agua? De no ser así, agregue cuñas debajo de la base de la unidad a fin de asegurar un funcionamiento adecuado de los sensores.
- 2. Verifique que el Filtro de Aire esté instalado. (Ubicado en el embalaje).**
- 3. Conexiones de plomería:**
 - No impiden la eliminación del filtro de aire
 - No hay pérdidas luego de llenar el tanque de agua, tanto cuando el agua está fluyendo como cuando no.
- 4. Las líneas de condensación están en su lugar:**
 - La tubería de drenaje principal flexible o rígida fue instalada y dirigida a una bomba de drenaje o de condensación. No se recomienda el uso de accesorios de reducción.
- 5. La válvula de temperatura y alivio de presión está funcionado y la línea de drenaje está completa de acuerdo con el código local.**
- 6. Verificación Eléctrica 208/240 VAC a L1 y L2 al tanque.**
- 7. La conexión Eléctrica no impide la eliminación del filtro de aire.**
- 8. Verifique las pantallas del panel de control en el modo Hybrid (Híbrido) a 120°F (49°C). Asista al usuario en el ajuste de temperatura y modos (consulte la sección de "Ajuste de Temperatura del Agua" en la página 4).**

QUÉ ESPERAR PARA UN "COMIENZO NORMAL" EN EL MODO HÍBRIDO

Luego de instalar la unidad, habiendo asegurado y controlado todas las conexiones eléctricas y de agua, se deberá entonces llenar la misma con agua (ventile el tanque abriendo una canilla de agua caliente de su casa para permitir que el tanque se llene completamente de agua). Una vez que el tanque esté lleno y la carga de corriente sea completada, podrá experimentar lo siguiente:

Tiempo Transcurrido	Acciones HEWH	Comentarios
0 a 2 minutos	La unidad realizará el control automático. El ventilador se encenderá luego de 1 minuto.	Este tiempo apagado de 2 minutos evita daños sobre el compresor. Es posible que se escuche un ruido de clic durante el inicio.
2 a 22 minutos	El compresor se enciende. El ventilador continúa funcionando.	Este período de 20 minutos es usado para asegurar que el tanque está lleno de agua (algoritmo de prevención de disparo en vacío).
22 minutos y más	El compresor se apaga (el ventilador funcionará durante 20 minutos luego de cualquier funcionamiento del compresor). La operación de calentamiento normal se reinicia.	El calentador de agua está funcionando en el modo Hybrid (Híbrido). Brinda una cantidad inicial de agua caliente de forma rápida con los elementos de calentamiento, y luego cambia a un bombeo de calor eficiente para la mayor parte del calentamiento.

NOTA: El rango de funcionamiento de la bomba de calentamiento es de 45°F a 120°F (7°C a 49°C). Si la temperatura ambiente está fuera del rango, la bomba de calentamiento se apagará y los elementos eléctricos serán usados hasta que la temperatura ambiente regrese al rango de funcionamiento.

Preguntas Frecuentes (FAQ)

Filtro::

P: ¿Por qué hay un filtro?

R: En los modos Híbrido y Bomba de Calentamiento (solamente), la unidad mueve aire a través del sistema. El filtro protege la unidad de la suciedad. El filtro de aire limpio mejora el rendimiento.

P: ¿Cómo se limpia el filtro?

R: Deje el encendido activado y retire el filtro de la parte superior de la unidad. El filtro puede ser aspirado o enjuagado con agua tibia. Una vez limpio, reinicie la alarma manteniendo presionado el botón Filter (Filtro). ¡Un filtro sucio reducirá el rendimiento del agua caliente!

Modos:

P: ¿Qué es Bomba de Calentamiento?

R: Bomba de Calentamiento es el modo más eficiente. Toma calor del aire para calentar el agua, por consiguiente enfriando el aire circundante. Recuperación más lenta pero modo más eficiente.

P: ¿Qué es Híbrido?

R: El modo Híbrido combina beneficios de la Bomba de Calentamiento con la velocidad y energía del modo Eléctrico Estándar. Esto brinda gran rendimiento con menor cantidad de energía.

P: ¿Qué es Alta Demanda/ Incremento?

R: Alta Demanda/ Incremento se puede utilizar cuando el uso de agua caliente sea superior al normal. La unidad será menos eficiente pero calentará agua más rápido en respuesta a entregas de agua prolongadas. Para todas las entregas normales, la unidad aún usará la Bomba de Calentamiento eficiente la mayor parte del tiempo.

P: ¿Qué es el modo Vacaciones?

R: Si no estará por un período prolongado, este modo reduce la temperatura del agua a fin de reducir la energía usada. La unidad cambiará al modo previo un día antes de su regreso.

P: ¿Qué es Eléctrico/ Estándar?

R: El modo Eléctrico/ Estándar usa solamente la resistencia para calentar el agua. Esto brinda una recuperación de agua caliente más rápida que el modo Híbrido, pero usa más energía. Este modo funciona sin el ventilador, deteniendo el aire frío normalmente descargado durante el funcionamiento de la bomba de calentamiento.

P: ¿Por qué titila el LED verde Eléctrico/ Estándar?

R: En este modo, la luz LED verde titilará luego de 48 horas como indicación de que la unidad no está funcionando en el modo de energía más eficiente

Funcionamiento:

P: ¿Por qué puedo escuchar la unidad funcionar?

R: En los modos de mayor eficiencia de la energía, Heat Pump (only) (Bomba de Calentamiento solamente), y High Demand/ Boost (Alta Demanda/ Incrementar), el método utilizado para calentar el agua usa un ventilador que se puede escuchar mientras funciona.

P: La bomba de calentamiento no está funcionando durante el período de tiempo normal. ¿Qué ocasiona esto?

R: Bajo ciertas condiciones, el Calentador de Agua Híbrido GeoSpring™ funcionará usando los elementos eléctricos en lugar de la bomba de calentamiento, a fin de proteger la unidad y asegurar que usted cuente con agua caliente. Estas condiciones incluyen una temperatura ambiente extremadamente fría (<35° F), temperatura ambiente extremadamente caliente (<120° F), o condiciones con nivel de voltaje muy bajo. La unidad regresará al funcionamiento normal cuando las condiciones lo permitan.

P: ¿Por qué una de las luces LED en modo de funcionamiento está titilando?

A: En Hybrid Mode (Modo Híbrido) y en High Demand/ Boost Mode (Modo de Demanda Alta/ Aumentado), la Electric/Standard Mode LED (Luz LED en Modo Eléctrico/ Estándar) titilará en cualquier momento en que los elementos de calentamiento estén activos, como por ejemplo durante la recuperación inicial de un corte de luz. En Electric/Estándar Mode (Modo Eléctrico/ Estándar), la luz LED en modo de funcionamiento titilará luego de 48 horas como indicación de que la unidad no está funcionando en el modo de energía más eficiente. Éstas son dos condiciones normales y no indican un problema de funcionamiento.

P: ¿Por qué la configuración de temperatura no siempre se exhibe en el control?

R: La pantalla del visor quedará en blanco luego de un período de inactividad a fin de ahorrar energía. Presionar cualquier botón activará el control y hará que se muestre la posición de ajuste de temperatura.

Varilla del Ánodo:

P: ¿Qué hace una varilla del ánodo?

R: La varilla del ánodo brinda protección contra la corrosión del tanque del calentador de agua. La varilla del ánodo debe ser reemplazada antes de ser consumida y cuando ya no ofrezca protección contra la corrosión.

P: ¿Cómo se cambia la varilla del ánodo?

R: Consulte la página 12. Los modelos equipados con la función de sensor de agotamiento del ánodo requieren un único ánodo, el cual puede ser ordenado a través del Servicio Técnico de GE Appliances Service..

P: ¿Qué puedo hacer si se siente olor a azufre proveniente del agua caliente?

R: Algunas áreas presentan condiciones de agua que pueden hacer que se genere un olor en el calentador de agua. Están disponibles varillas de reemplazo de aluminio-zinc de aleación para tratar el problema. Para más detalles, consulte la página 11.

Consejos para la Solución de Problemas... Antes de solicitar el servicio técnico

¡Ahorre tiempo y dinero!

Lea primero el cuadro que aparece a continuación y es posible que no necesite solicitar reparaciones.

⚠ PRECAUCIÓN Para su seguridad, **NO** intente reparar cableados eléctricos, controles, elementos de calentamiento u otros dispositivos de seguridad. Derive las reparaciones a personal calificado del servicio técnico.

Problema	Causas Posibles	Qué Hacer	
USO Y RENDIMIENTO			
Sin suficiente agua caliente o sin agua caliente	Es posible que la temperatura del agua esté configurada demasiado baja.	<ul style="list-style-type: none"> Consulte las secciones de Ajuste de Temperatura y Capacidad del Calentador de Agua. (Páginas 4 y 5) 	
	El patrón de uso del agua caliente supera la capacidad del calentador de agua en el modo actual	<ul style="list-style-type: none"> Cambie a un modo diferente. Espere a que el calentador de agua se recupere luego de una demanda atípica. 	
	Es posible que la temperatura del agua fría entrante sea más fría durante los meses de invierno.	<ul style="list-style-type: none"> Esto es normal. Cuanto más fría sea el agua entrante, más tiempo le tomará calentarse. Considere incrementar la temperatura configurada como se describió en la sección de Ajuste de Temperatura del Agua. 	
	Grifos de agua caliente que gotean o están abiertos.	<ul style="list-style-type: none"> Asegúrese de que todos los grifos estén cerrados. 	
	Largas extensiones de tubería expuesta, o tubería de agua caliente en pared externa.	<ul style="list-style-type: none"> Aísle la tubería. 	
	Sin espacio suficiente para permitir que circule aire para la bomba del calentador.	<ul style="list-style-type: none"> Asegúrese de que la unidad esté a 7" de la pared y que haya un espacio de 8" sobre el filtro de agua. 	
	El espacio es demasiado pequeño o demasiado frío, reduciendo el rendimiento del calentamiento.	<ul style="list-style-type: none"> Las habitaciones más pequeñas pueden conducir a temperaturas de habitación más frías, debido a que la bomba de calentamiento enfría el aire. Si la habitación tiene menos de 700 pies cúbicos (10'x10'x7'), instale puertas persianas o una ventilación similar. Las temperaturas de habitación más frías puede hacer que el calentador de agua tarde más tiempo en recuperar completamente la temperatura configurada. Considere incrementar la temperatura configurada como se describe en la sección de Ajuste de Temperatura del Agua. 	
	Es posible que se haya quemado un fusible, que se haya desconectado el disyuntor, o que el servicio eléctrico de su hogar haya sido interrumpido.	<ul style="list-style-type: none"> Reemplace el fusible o reinicie el disyuntor. Comuníquese con su proveedor local del servicio eléctrico. 	
	Cableado inadecuado	<ul style="list-style-type: none"> Lea la sección de Instrucciones de Instalación. 	
	Límite de reinicio manual (TCO).	<ul style="list-style-type: none"> Consulte la sección Control de Seguridad en la página 4. 	
El agua está demasiado caliente	Las conexiones de agua a la unidad están invertidas.	<ul style="list-style-type: none"> Conexiones de tuberías correctas. 	
	Interferencia en el Sistema de Recirculación (si está instalado)	<ul style="list-style-type: none"> Controle que la configuración del índice del flujo no esté demasiado alto. Aísle la tubería 	
	La configuración de la temperatura del agua es demasiado alta.	<ul style="list-style-type: none"> Consulte la sección Acerca de la Configuración de la Temperatura del Agua. 	
	El control electrónico falló.	<ul style="list-style-type: none"> Llame al servicio técnico. 	
	El calentador de agua está haciendo descender la temperatura de la habitación	La habitación no es ventilada de forma adecuada o es demasiado pequeña	<ul style="list-style-type: none"> Si el tamaño de la habitación es inferior a 10' x 10' x 7' (3m x 3m x 2.1m), entonces deberá contar con una puerta de celosía u otro medio que permita el recambio de aire con las habitaciones circundantes.
		El calor es retirado del aire para calentar el agua	<ul style="list-style-type: none"> Ésto es normal.

Consejos para la Solución de Problemas... Antes de solicitar el servicio técnico

Problema	Causas Posibles	Qué Hacer
PANEL DE CONTROL		
El calentador está emitiendo un pitido y la pantalla indica F11	El calentador de agua no fue llenado con agua antes de ser encendido. Encender el calentador sin agua dañará los calentadores eléctricos. La garantía del calentador de agua no cubre daños ni fallas como resultado de un funcionamiento con el tanque vacío o parcialmente vacío.	<ul style="list-style-type: none"> Llene el tanque completamente con agua. Presione ENTER (Ingresar) para detener la alarma y luego presione Cycle Power (Encendido por Ciclos) cuando el tanque haya sido llenado. Si la unidad fue confirmada para su llenado con agua y se experimenta un código F11, es posible que el código sea una falsa indicación debido a ciertas condiciones ambientales únicas encontradas durante la activación. Si la unidad está llena de agua, apague el interruptor durante aproximadamente 10 minutos, a fin de permitir que la temperatura del agua se estabilice, y luego vuelva a encender el interruptor. Si el código F11 persiste, solicite el servicio técnico de GE Appliances.
El calentador está emitiendo un pitido y la luz del ánodo está encendida (en algunos modelos), y la pantalla muestra F16.	La varilla del ánodo se está aproximando al final de su vida útil y se recomienda su reemplazo a fin de continuar ofreciendo protección contra la corrosión.	<ul style="list-style-type: none"> Llame al servicio técnico o siga las instrucciones sobre cómo reemplazar la varilla del ánodo en la página 12. Asegúrese de que se instale la varilla del ánodo con sensor de agotamiento del ánodo u otra varilla del ánodo aprobada por GE Appliances. La instalación de una varilla del ánodo no aprobada ANULARÁ la garantía.
El calentador está emitiendo un pitido y la pantalla indica "F17"	La varilla del ánodo no está conectada correctamente y es posible que el calentador de agua no esté protegido contra la corrosión.	<ul style="list-style-type: none"> Controle que el tanque esté completamente lleno de agua. Si el tanque está lleno de agua y el código F17 persiste, llame al servicio técnico de GE Appliances. Presione el botón del ánodo para silenciar la alarma.
La luz indicadora verde de modo está titilando	Funcionamiento normal	<ul style="list-style-type: none"> En Hybrid Mode (Modo Híbrido) y en High Demand/Boost Mode (Modo de Demanda Alta/Incrementar), la Electric/ Standard Mode LED (Luz LED Eléctrica/ Estándar) titilará en cualquier momento en que En Electric/Standard Mode (Modo Eléctrico/ Estándar), la luz LED en modo de funcionamiento titilará luego de 48 horas como indicación de que la unidad no está funcionando en el modo de energía más eficiente. Estas condiciones son normales y no indican un problema de funcionamiento.
La luz del filtro está encendida.	El filtro requiere una limpieza. Para un funcionamiento efectivo, es necesario que el filtro esté limpio.	<ul style="list-style-type: none"> Siga las instrucciones sobre cómo retirar y limpiar el filtro, en la página 10. Repetidas alarmas de filtro sucio que no se resuelven al limpiar el filtro pueden ser una indicación de una falla del sistema sellado. Llame al servicio técnico.
El calentador de agua está emitiendo un pitido y en la pantalla titila "bAdlinE".	La unidad no está recibiendo 240VAC como se espera.	<ul style="list-style-type: none"> Apague el interruptor del calentador de agua (generalmente en el panel del disyuntor). Luego lea la sección de Conexiones Eléctricas en Instrucciones de Instalación, en la página 16. Luego, comuníquese con el instalador para verificar la entrada eléctrica del calentador de agua.
El calentador está emitiendo un sonido y en la pantalla titila un código de error.	Problema en el sistema de la bomba de calentamiento, códigos "FA" – "F8"; Control u otro problema, códigos "F9" "F23"	<ul style="list-style-type: none"> El calentador de agua se puede pasar de forma automática a otro modo de calentamiento, a fin de asegurar la disponibilidad continua de agua caliente. Comuníquese inmediatamente con el servicio técnico y brinde los códigos que figuran en la pantalla de visualización. Para apagar el pitido, presione el botón de la flecha UP (Arriba) o DOWN (Abajo).

Fault Codes

Problema	Causas Posibles	Qué Hacer
OTRO		
Calentador de agua hace que los sonidos	Se está usando un ventilador para mover el aire a través del sistema	<ul style="list-style-type: none"> • Cierta cantidad de sonido del ventilador es normal. Si escucha un sonido atípico o el nivel de sonido parece inusualmente fuerte (por ejemplo: más fuerte que una ventana de acondicionador de aire), entonces contacte al servicio técnico.
	La válvula de expansión electrónica (EEV) produce sonidos de clic al encender el dispositivo	<ul style="list-style-type: none"> • Esto es normal.
La unidad no está produciendo sonidos normales.	Si la unidad utiliza elementos con resistencias, no producirá sonidos de ventilador o compresor.	<ul style="list-style-type: none"> • Controle el modo de la unidad.
<i>Sonido ensordecedor</i>	Water conditions in your home caused a buildup of scale or mineral deposits on the heating elements	<ul style="list-style-type: none"> • Remove and clean the heating elements. This should only be done by a qualified service person.
Goteo de agua por la parte externa del calentador	El drenaje condensado está atascado	<ul style="list-style-type: none"> • Despeje cualquier escombros en el puerto de drenaje de la unidad.
	Conexiones de agua caliente/fría u otras piezas se perdieron	<ul style="list-style-type: none"> • Ajuste las conexiones flojas. Esto sólo deberá ser realizado por personal calificado del servicio técnico.
La válvula de alivio produce un chisporroteo o drenaje	Acumulación de presión ocasionada por expansión térmica en un sistema cerrado	<ul style="list-style-type: none"> • Ésta es una condición inaceptable y debe ser corregida. Consulte la sección de Expansión Térmica en la página 14. No enchufe la ficha de la válvula de alivio. Contacte a un plomero para corregir esto.
El Agua Caliente tiene olor a huevo podrido o azufre	Ciertos suministros de agua con alto contenido de sulfato reaccionarán con la varilla del ánodo que está presente en todos los calentadores de agua para la protección del tanque corrosión.	<ul style="list-style-type: none"> • El olor puede ser reducido o eliminado en la mayoría de los calentadores de agua, reemplazando la varilla del ánodo por un material de varilla menos activo. En algunos casos, es posible que sea necesario agregar el paso de clorar el calentador de agua y todas las tuberías de agua caliente. Para acceder a opciones e instrucciones, comuníquese con el profesional local sobre el agua o con su plomero. Para información sobre cómo adquirir el reemplazo de la varilla del ánodo, comuníquese al 1.888.4GE. HEWH (1.888.443.4394). Personal calificado del servicio técnico o un plomero deberán realizar este reemplazo. El uso de una varilla de ánodo no aprobada por GE Appliances, o el uso del calentador de agua sin una varilla de ánodo aprobada por GE Appliances ANULARÁN la garantía.

Fault Codes

Fault Code Displayed	Condition	Action
F-C	El Evaporador No Está Libre de Escarcha. Probable pérdida de refrigerante.	Llame al servicio técnico**
F-D	Alto Nivel de Calor Demasiado Bajo. Probable pérdida de refrigerante.	Llame al servicio técnico**
F-E	Temperatura de Descarga Por Encima del Límite. Probable pérdida de refrigerante.	Llame al servicio técnico**
F-F	Válvula de Expansión Electrónica Fuera del Rango. Probable pérdida de refrigerante.	Llame al servicio técnico**
F-G	Control de Temperatura Ambiente T5	Datos del servicio técnico
F-I	Prueba de Pérdidas del Refrigerante. Probable pérdida de refrigerante.	Llame al servicio técnico**
F-J	Concurrent Load High Current	Llame al servicio técnico
F-L	Evaporator Not Defrosting	Llame al servicio técnico
F2	Falla del Sensor de Temperatura del Tanque T2	Llame al servicio técnico
F3	Falla del Compresor	Llame al servicio técnico
F4	Falla del Ventilador	Llame al servicio técnico
F5	Falla del Sensor T3a (temperatura de entrada del evaporador)	Llame al servicio técnico
F6	Falla del Sensor T3a (temperatura de salida del evaporador)	Llame al servicio técnico
F7	Falla del Sensor T4 (salida del compresor)	Llame al servicio técnico
F8	Falla del Sensor T5 (temperatura ambiente)	Llame al servicio técnico
F9	Falla del Elemento de Calentamiento Inferior	Llame al servicio técnico
F10	Falla del Elemento de Calentamiento Superior	Llame al servicio técnico
F11	Falla del Tanque de Secado	Lea la página 15
bAd linE (F12)	El voltaje es demasiado bajo en el encendido	Lea la página 15
F13	Falla por Tecla Atorada	Llame al servicio técnico
Dirty Filter (F14)	El filtro está sucio. Si se repite la falla luego de la limpieza, es probable que haya pérdida del refrigerante.	Lea la página 10
F15	Falla de DataFlash	Llame al servicio técnico
F16*	Varilla del Ánodo Agotada	Llame al servicio técnico, lea la página 11
F17*	Tanque Vacío o Varilla del Ánodo Cableada de Forma Incorrecta	Llame al servicio técnico
F18	Transformador de Corriente con Cableado Incorrecto	Llame al servicio técnico
F19	Voltaje de la Línea Inferior	Datos del servicio técnico
F20	Atascamiento del Puerto de la Olla de Drenaje Condensado	Lea la página 10
F21	Actualización de la aplicación ha fallado	Llame al servicio técnico
F22	Actualización de Datos paramétricos ha fallado	Llame al servicio técnico
F23	Fracaso Micro A / D	Llame al servicio técnico

* Algunos Modelos

** Los técnicos del servicio deberán usar el TB01-16 para el control de pérdidas.

Garantía del Calentador de Agua Híbrido de GE Appliances

GARANTÍA

Todo el servicio de garantía es provisto por nuestra Red de Servicios Autorizada. Para programar el servicio técnico, comuníquese al 888.4GE.HEWH (888.443.4394). Cuando llame para solicitar el servicio, tenga los números de serie y modelo disponibles.

Por el Período de: Reemplazaremos:

Un Año Desde la fecha de la compra original	Cualquier parte del Calentador de Agua Híbrido que falle debido a un defecto en los materiales o la fabricación. Durante esta garantía limitada de un año , GE Appliances también proveerá, sin costo, todo el trabajo y el servicio relacionado con el servicio de compra original para el reemplazo de la pieza que presente defectos.
Del Segundo al Décimo Año Desde la fecha de la compra original	Cualquier parte del Calentador de Agua Híbrido que falle debido a un defecto en los materiales o la fabricación. Durante esta garantía limitada de piezas de seis años , no se incluye el trabajo y servicios relacionados para el reemplazo de partes defectuosas

Qué No Está Cubierto:

- Viajes del técnico del servicio a su hogar para enseñarle sobre cómo usar el producto.
- Instalación, entrega o mantenimiento inadecuados.
- Fallas del producto en caso de abuso, mal uso, alteración, uso comercial o uso para propósitos diferentes al original.
- Uso de este producto donde el agua que no sea microbiológicamente segura o sea de calidad desconocida sin una desinfección adecuada, antes o después, del sistema.
- Reemplazo de fusibles de la casa o reinicio de disyuntores.
- Daños ocasionados sobre el producto por accidente, rayos, incendio, inundaciones o catástrofes naturales.
- Daños consecuentes o incidentales causados por posibles defectos sobre este producto, su instalación o reparación.
- Producto no accesible para brindar el servicio requerido de un modo seguro. La instalación en desvanes deberá contar con pisos y escaleras accesibles.
- Si el producto es retirado de su ubicación de instalación original.
- Si el producto u otro electrodoméstico deben ser trasladados para acceder al servicio técnico.
- Daños, funcionamiento inadecuado o fallas ocasionadas por el uso de servicios de reparación no aprobados por GE Appliances.
- Daños, funcionamiento inadecuado o fallas ocasionadas por el uso de piezas o componentes no aprobados.
- Daños, funcionamiento inadecuado o fallas ocasionadas por uso de la bomba de calentamiento del calentador de agua sin la varilla del ánodo.
- Consumo y reemplazo de la varilla del ánodo.
- Daños, funcionamiento inadecuado o fallas como resultado de uso de la bomba de calentamiento con el tanque vacío o parcialmente vacío.
- Daños, funcionamiento inadecuado o fallas ocasionadas por usar el tanque bajo presión superior a aquella mostrada en la etiqueta de calificación.
- Daños, funcionamiento inadecuado o fallas ocasionadas por usar la bomba de agua del calentador de agua con voltaje eléctrico fuera del rango de voltaje que figura en la etiqueta de calificación.
- Falla del calentador de agua debido a que éste fue usado en un ambiente corrosivo.
- Si este Calentador de Agua Híbrido es usado con una finalidad distinta al uso residencial familiar y privado, el trabajo no será cubierto por la garantía, y la garantía de las piezas será reducida a 1 año desde la fecha de compra.

EXCLUSIÓN DE GARANTÍAS IMPLÍCITAS—Su única y exclusiva alternativa es la reparación del producto, como se indica en la Garantía Limitada. Las garantías implícitas, incluyendo garantías implícitas de comerciabilidad o conveniencia sobre un propósito particular, se limitan a un año o al período más corto permitido por la ley.

Esta garantía se extiende al comprador original y a cualquier dueño subsiguiente de productos comprados para uso hogareño dentro de EE.UU. Si el producto se encuentra en un área donde no se encuentra disponible un Proveedor Autorizado del Servicio Técnico de GE Appliances, usted será responsable por el costo de un viaje o se podrá requerir que traiga el producto a una Ubicación del Servicio Técnico de GE Appliances Autorizado para recibir el servicio. En Alaska, la garantía excluye el costo de envío o llamadas del servicio a su hogar.

Algunos estados no permiten la exclusión o limitación de daños fortuitos o consecuentes. Esta garantía le da derechos legales específicos y es posible que tenga otros derechos legales que varían entre un estado y otro. Para conocer cuáles son sus derechos legales, consulte a la oficina de asuntos del consumidor local o estatal o al Fiscal de su Estado.

Para obtener información sobre Garantía y Servicios de productos adquiridos fuera de EE.UU., comuníquese con su vendedor minorista.

Garante de Productos Adquiridos en Estados Unidos: GE Appliances

Abroche su recibo aquí. Para acceder al servicio técnico de acuerdo con la garantía, deberá contar con la prueba de la fecha original de compra.

Soporte para el Consumidor

Sitio Web de GE Appliances

¿Desea realizar una consulta o necesita ayuda con su electrodoméstico? ¡Intente a través del Sitio Web de GE Appliances las 24 horas del día, cualquier día del año! Usted también puede comprar más electrodomésticos maravillosos de GE Appliances y aprovechar todos nuestros servicios de soporte a través de Internet, diseñados para su conveniencia.

En EE.UU.: GEAppliances.com

Registre su Electrodoméstico

¡Registre su electrodoméstico nuevo a través de Internet, según su conveniencia! Un registro puntual de su producto permitirá una mejor comunicación y un servicio más puntual de acuerdo con los términos de su garantía, en caso de surgir la necesidad. También puede enviar una carta en la tarjeta de inscripción preimpresa que se incluye con el material embalado.

En EE.UU.: GEAppliances.com/register

Servicio Programado

El servicio de reparación de expertos de GE Appliances está a sólo un paso de su puerta. Conéctese a través de Internet y programe su servicio a su conveniencia cualquier día del año. En EE.UU.: GEAppliances.com/ge/service-and-support/service.htm o comuníquese al 800.432.2737 durante el horario de atención comercial.

Garantías Extendidas

Adquiera una garantía extendida de GE Appliances y conozca los descuentos especiales que están disponibles mientras su garantía aún está vigente. La puede adquirir en cualquier momento a través de Internet. Los servicios de GE Appliances aún estarán allí cuando su garantía caduque.

En EE.UU.: GEAppliances.com/ge/service-and-support/shop-for-extended-service-plans.htm

o comuníquese al 800.626.2224 durante el horario de atención comercial.

Conectividad Remota

Para solicitar asistencia para la conectividad de red inalámbrica (para modelos con acceso remoto), visite nuestro sitio web en GEAppliances.com/ge/connected-appliances/ o comuníquese al 800.220.6899 en EE.UU.

Piezas y Accesorios

Aquellos individuos calificados para realizar el servicio técnico de sus propios electrodomésticos podrán solicitar el envío de piezas o accesorios directamente a sus hogares (se aceptan las tarjetas VISA, MasterCard y Discover). Ordene hoy a través de Internet durante las 24 horas, todos los días. En EE.UU.: GEApplianceparts.com o de forma telefónica al 877.959.8688 durante el horario de atención comercial.

Las instrucciones que figuran en este manual cubren los procedimientos que serán realizados por cualquier usuario. Otros servicios técnicos generalmente deben ser derivados a personal calificado del servicio. Se deberá tener cuidado, ya que una reparación indebida podrá hacer que el funcionamiento no sea seguro.

Contáctenos

Si no se encuentra satisfecho con el servicio que recibió de GE Appliances, comuníquese con nosotros a través de nuestro sitio Web con todos los detalles, incluyendo su número telefónico, o escriba a:

En EE.UU.: General Manager, Customer Relations | GE Appliances, Appliance Park | Louisville, KY 40225

GEAppliances.com/ge/service-and-support/contact.htm