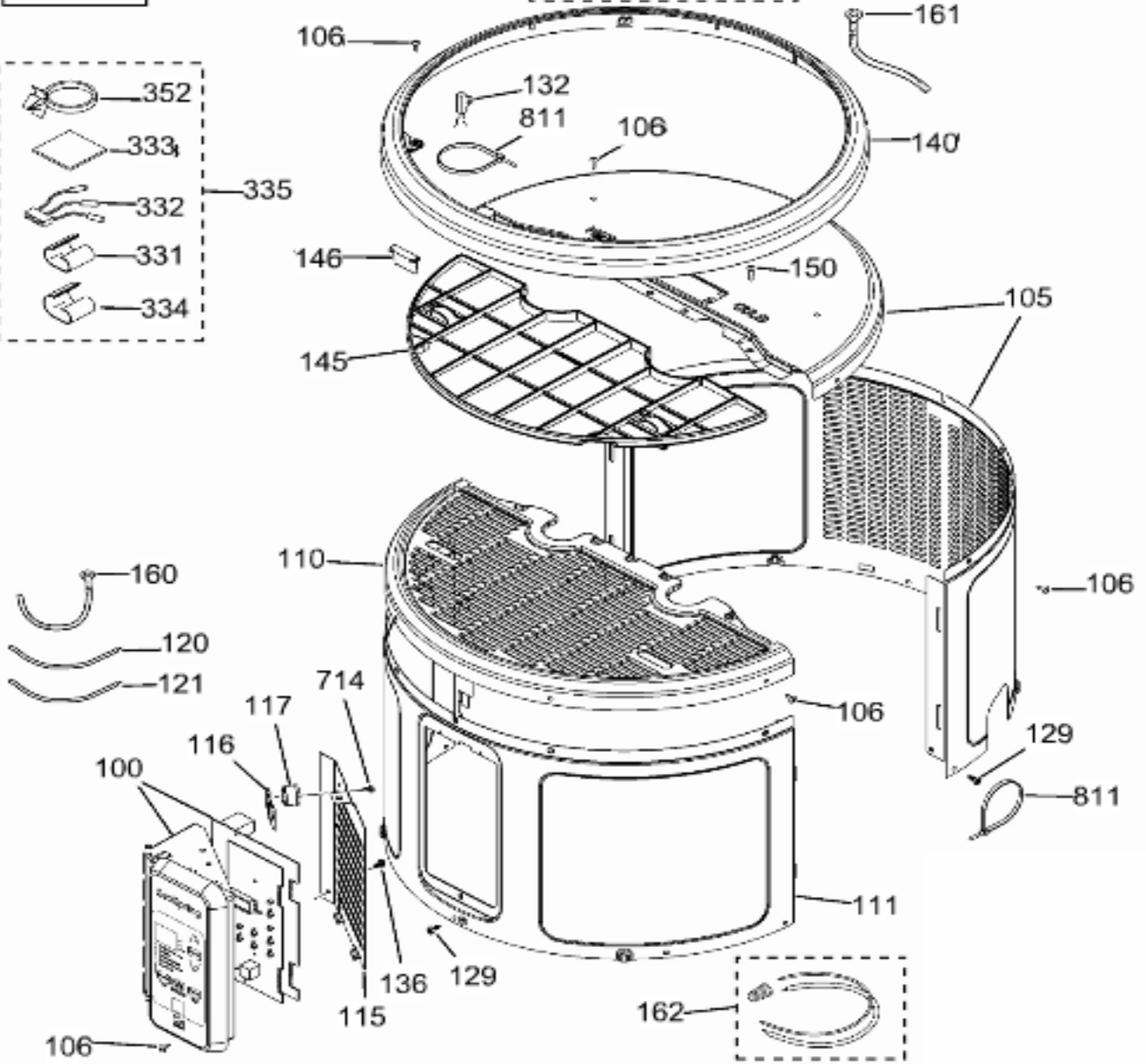
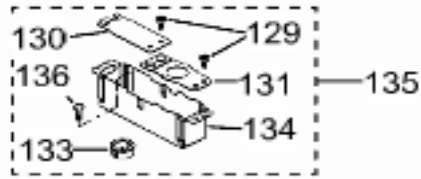
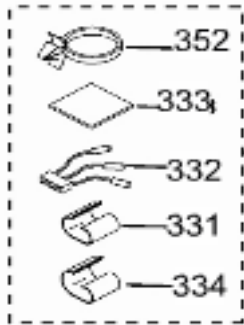
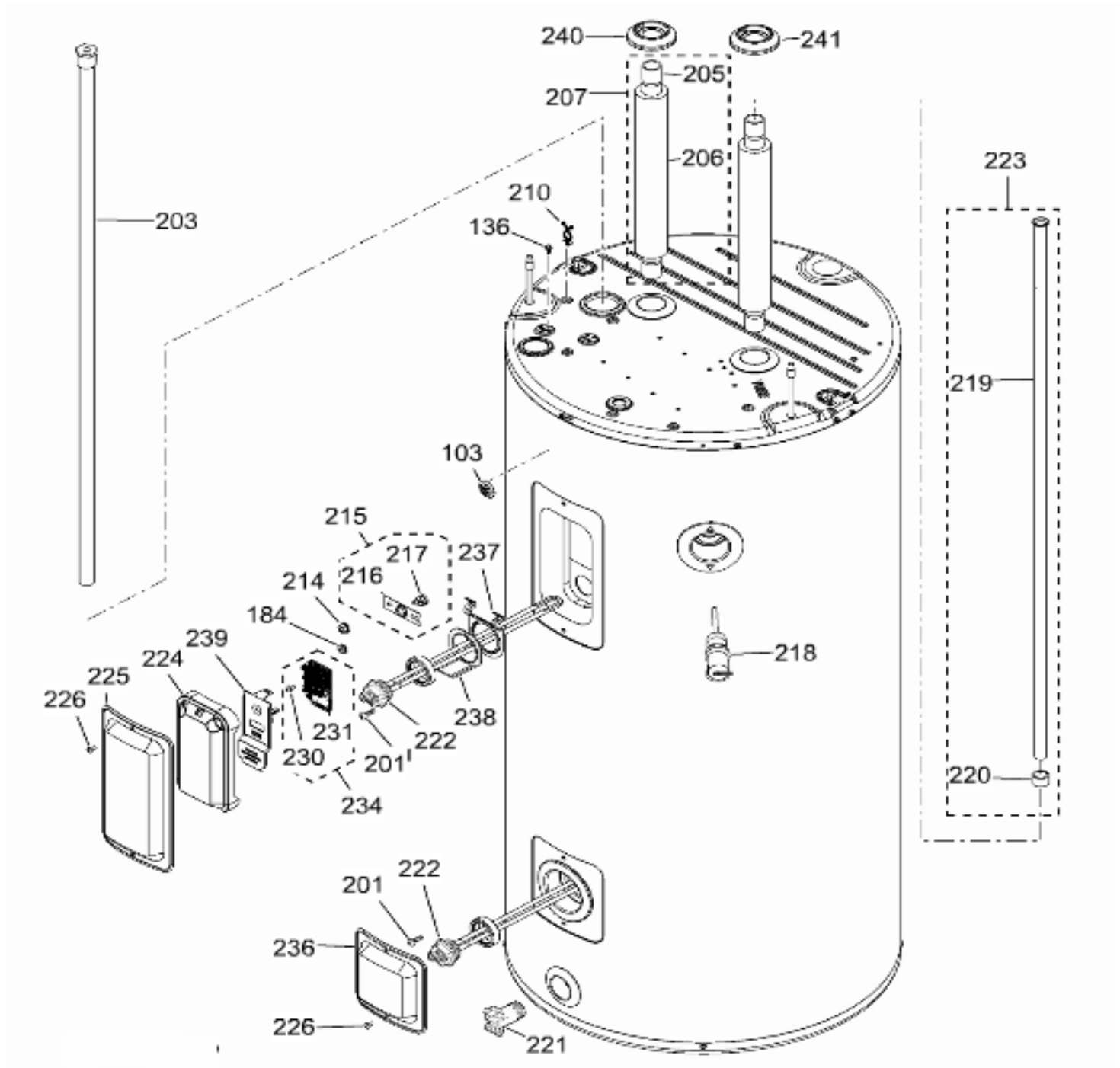


GEH50DEEDSCA >> GEH50DEEDSCA >> CONTROL PANEL & SHROUD



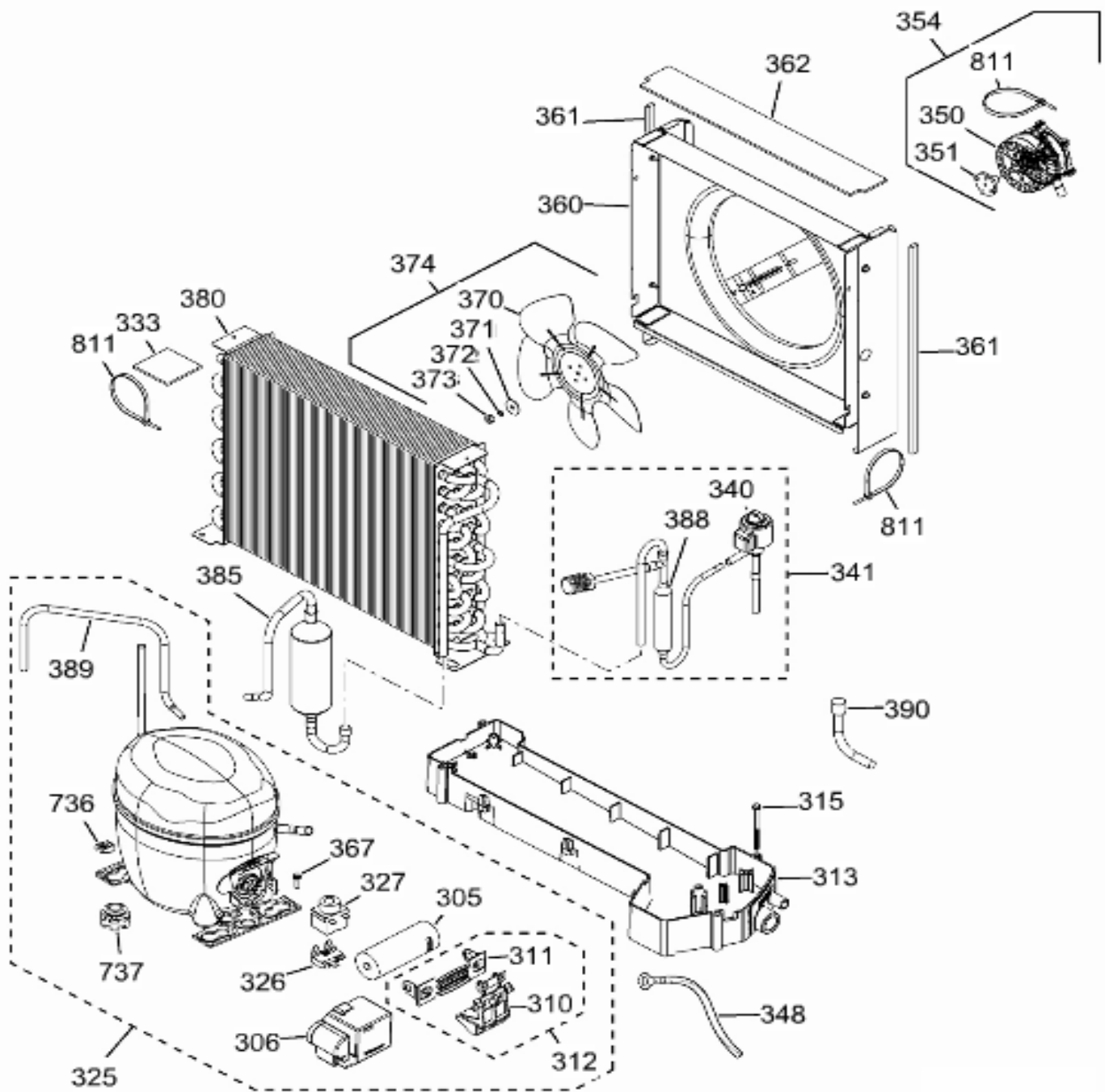
Pos.	Part number	Description	Qty	Note	Recommended
100	WS55X10023	Control ASM	1		
105	WS31X10064	Rear Shroud ASM	1		
106	WS02X10083	SCR 8-18 B PNT 7/16 S Red	1		
110	WS31X10063	Water Heater Front Shroud Cover	1		
111	WS31X10065	Water Heater Front Shroud	1		
115	WS31X10057	Water Enclosure	1		
116	WS28X10075	Bracket Overload	1		
117	WS08X10017	Overload Comp External	1		
120	WS19X10033	Wire (E-D) Yellow	1		
121	WS19X10036	Wire (E-E) Blue	1		
129	WS02X10086	Water Screw 10-32 GX PNT20 1/2 S	1		
130	WS01X10048	Water Cover Access J-Box	1		
131	WS01X10049	Water Cover Fixed J-Box	1		
132	WS17X10008	Sensor T5	1		
133	WS02X10072	Grommet DC (J-Box)	1		
134	WS01X10047	Water Cavity Junction Box	1		
135	WS35X10073	Junction Box ASM	1		
136	WS02X10087	SCR 10-32 GX HXW 7/16 S	1		
140	WS31X10061	Trim Ring	1		
145	WS31X10058	Filter Air	1		
146	WS01X10053	Cover Air Filter Snap	1		
150	WS02X10084	SCR 8-18 B PNT 3/4 S Red	1		
160	WS19X10037	Ground Wire to Enclosure	1		
161	WS19X10038	Ground Wire to J-Box	1		
162	WS19X10039	Wire L1-L2 Repair Kit	1		
331	WS02X10078	Clip Sensor (T3A/T4)	1		
332	WS17X10011	Sensor ASM (T3A/T3B/T4)	1		
333	WS03X10075	Mastic Thermal Sensors	1		
334	WS02X10079	Clip Sensor (T3B)	1		
335	WS17X10014	Water Sensor Assembly	1		
352	WH01X10217	Wire Tie/Plug	1		
714	WD02X10083	Screw 8-18 B HXW 480 S	1		
811	WR02X11607	Wire Tie	1		

GEH50DEEDSCA >> GEH50DEEDSCA >> BODY PARTS



Pos.	Part number	Description	Qty Note	Recommended
103	WS34X10029	Badge	1	
136	WS02X10087	SCR 10-32 GX HXW 7/16 S	1	
184	WH02X10300	Nut Keps 10-32 Special	1	
201	WS02X10077	Water Screw 10-32 PNUP 13/32 S	1	
203	WS02X10071	Water Heater Anode Rod	1	
205	WS07X10032	Pipe Extension Trap	1	
206	WS07X10031	"Tube Insulation, Pipe"	1	
207	WS35X10070	Water Heater Pipe Extension Assembly	1	
210	WS02X10073	Wire Tie Ball	1	
214	WS02X10075	1/4-20 Hex Nut- Locking	1	
215	WS17X10013	Water Heater Tank Sensor (T2)	1	
216	WS28X10074	Bracket Thermistor T2	1	
217	WS17X10006	Tank Thermistor T2	1	
218	WS06X10014	"Valve, Temp/Pressure Relief"	1	
219	WS08X10015	Diptube	1	
220	WS03X10076	Diptube Seal	1	
221	WS06X10013	Valve Drain	1	
222	WS51X10002	Element Heating with Gasket	1	
223	WS35X10072	Water Heater Dip Tube with Seal	1	
224	WS82X10006	Cover Element (Upper) EPS	1	
225	WS31X10055	Cover Element Metal U. Red	1	
226	WS02X10074	Water Screw T20H Tamper Proof	1	
230	WS02X10076	SCR 10-32 PNUP 3/8 S	1	
231	WS17X10009	TCO (Thermal Cut Out)	1	
234	WS17X10012	TCO DLB and Screws	1	
236	WS31X10056	Cover Element Metal L. Red	1	
237	WS03X10074	Clip Spring TCO	1	
238	WS34X10027	Dielectric Bib	1	
239	WS34X10026	Barrier Dielectric	1	
240	WS01X10050	"Grommet Outlet, Red"	1	
241	WS01X10051	"Grommet Inlet, Blue"	1	

GEH50DEEDSCA >> GEH50DEEDSCA >> UNIT PARTS



GEH50DEEDSCA

Pos.	Part number	Description	Qty	Note	Recommended
305	WS19X10035	Start Capacitor	1		
306	WS31X10054	Water Cover Electric Compressor	1		
310	WS21X10055	BKT Capacitor Mounting	1		
311	WS01X10052	Clip Capacitor Mounting	1		
312	WS28X10077	Mounting Bracket Cap Assembly	1		
313	WS28X10073	Condensate Drain Pan	1		
315	WS02X10085	SCR 10-32 HXW 2 1/2 S	1		
325	WS87X10003	Compressor Kit	1		
326	WS08X10016	"Overload, Compressor"	1		
327	WS07X10033	Relay Start Comp	1		
333	WS03X10075	Mastic Thermal Sensors	1		
340	WS17X10010	Water Heater Electronic Expansion Valve Coil	1		
341	WS35X10068	Water Heater Electronic Expansion Valve Assembly	1		
348	WS19X10034	Wire (G-B) GRD Compresso	1		
350	WS26X10026	Motor Fan	1		
351	WS28X10076	Flange Fan	1		
354	WS26X10028	Water Fan Motor Assembly	1		
360	WS35X10069	Water Heater Fan Shroud Assembly	1		
361	WS16X10003	Seal Foam Barrier	1		
362	WS16X10002	Seal Foam EVAP	1		
367	WR01X10757	SCR 8-32 GX IHX 3/8 SCA	1		
370	WS26X10027	Water Heater Evaporator Fan Blade	1		
371	WS02X10080	Spring Washer	1		
372	WS02X10081	Washer	1		
373	WS02X10082	Nut (Fan Blade to Motor)	1		
374	WS26X10029	Water Heater Fan Blade Assembly	1		
380	WS85X10003	Evaporator Kit	1		
385	WS86X10003	Water Heater Accumulator Assembly	1		
388	WS86X10002	Water Heater Filter Dryer Assembly	1		
389	WS07X10034	Tube Discharge Form	1		
390	WS07X10035	Comp Process Tube 5/16	1		
736	WR2X8203	Clip	1		
737	WR02X10099	Grommet	1		
811	WR02X11607	Wire Tie	1		