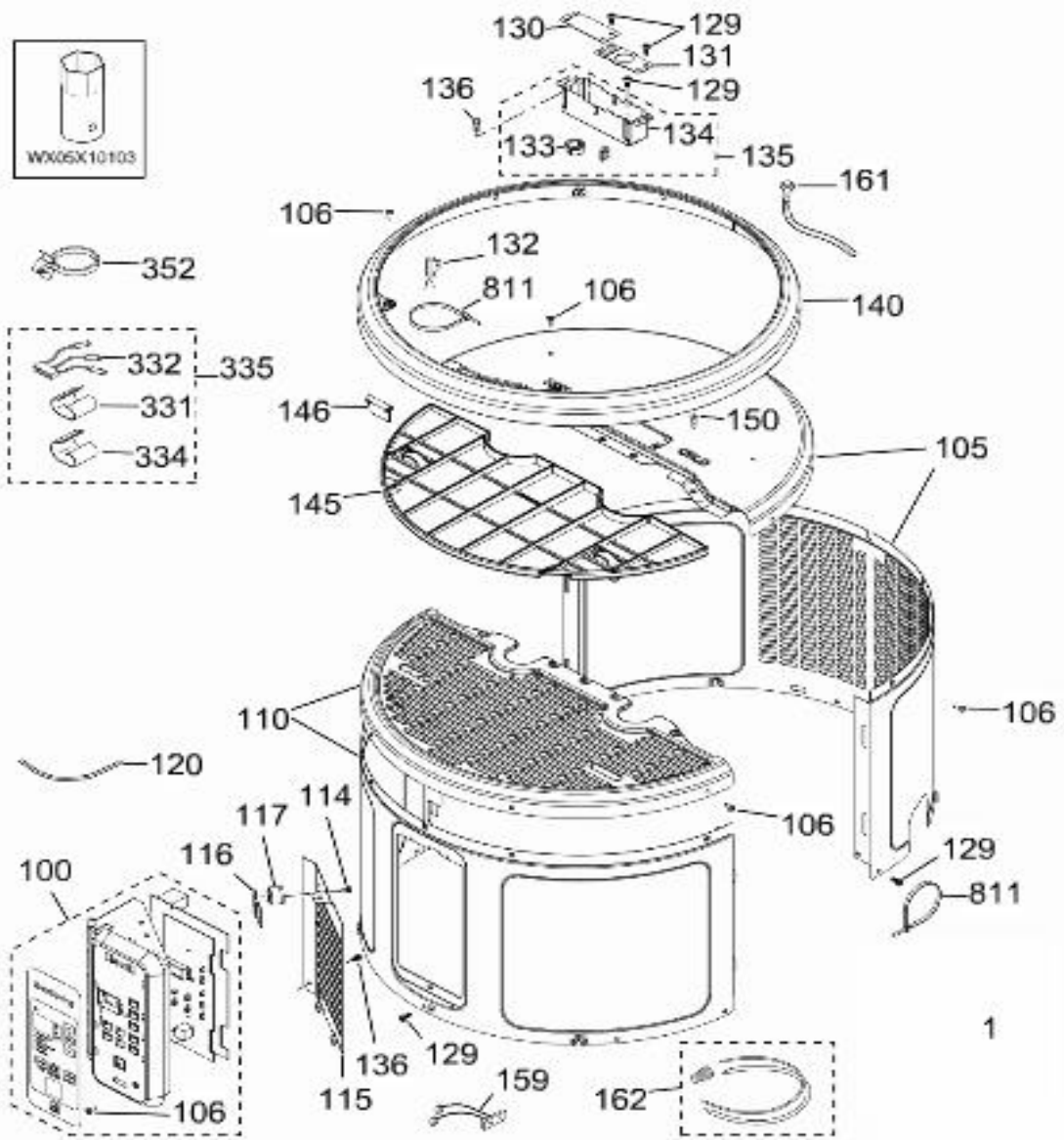
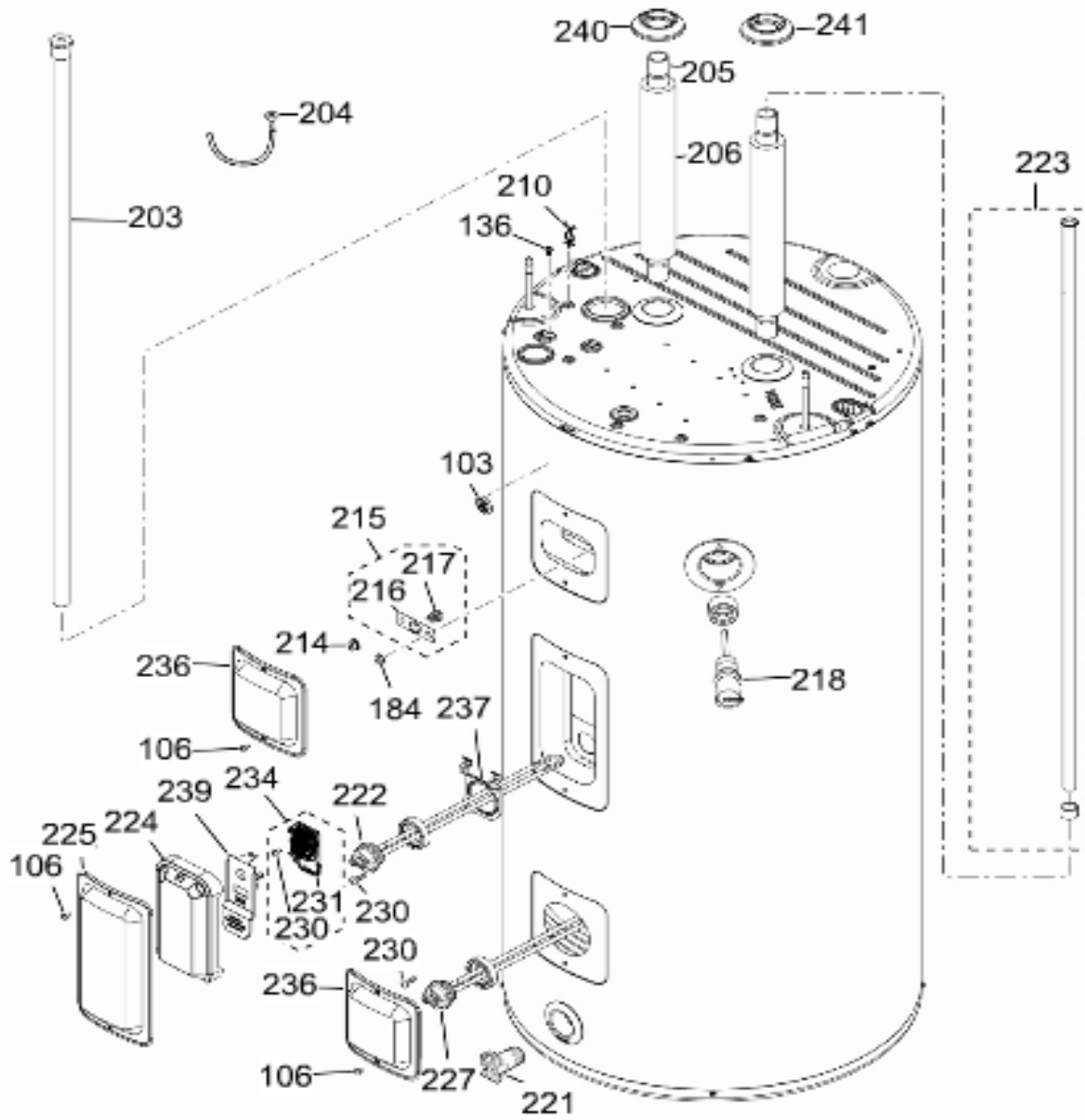


GEH50DEEJSCA >> GEH50DEEJSCA >> CONTROL PANEL & SHROUD



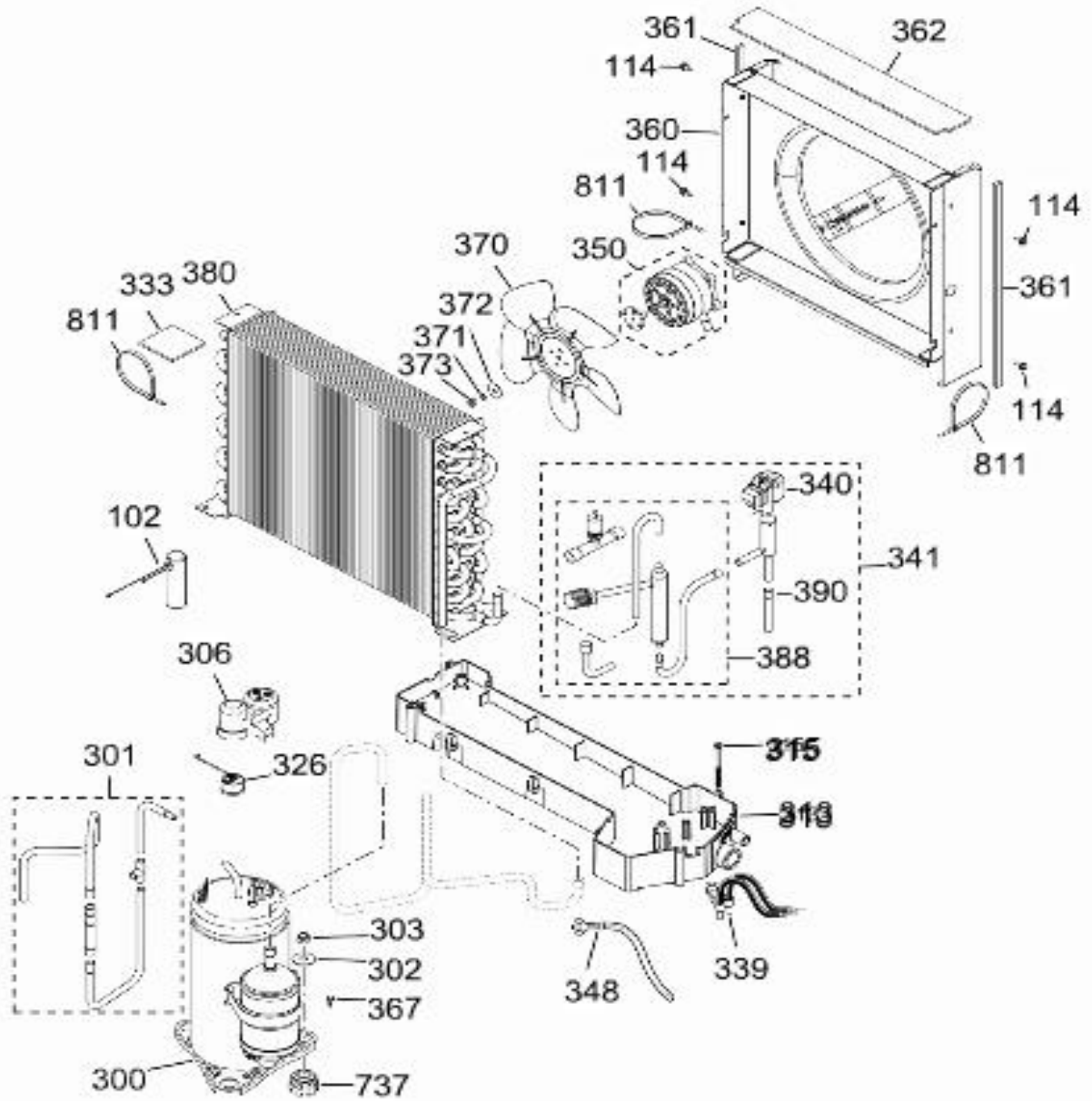
Pos.	Part number	Description	Qty	Note	Recommended
Item	Model	Description	1		
100	WS35X20582	"Control ASM, Gray"	1		
105	WS31X10064	Rear Shroud ASM	1		
106	WS02X10083	SCR 8-18 B PNT 7/16 S Red	1		
110	WS35X21221	Front Shroud ASM- Gray	1		
114	WD02X10160	SCR 8-18 B HXW .480 S	1		
115	WS31X20384	Rear Control Cover	1		
116	WS28X10075	Bracket Overload	1		
117	WS08X20363	Overload COMP	1		
120	WS19X10033	Wire (E-D) Yellow	1		
129	WZ04X10001	SCR 10-32 GX HXWS	1		
130	WS01X20382	Cover Access J-Box	1		
131	WS01X20383	Cover Fixed J-Box	1		
132	WS17X21223	Sensor T5	1		
133	WS02X10072	Grommet DC (J-Box)	1		
134	WS01X20381	Cavity Junction Box	1		
135	WS35X10073	Junction Box ASM	1		
136	WS02X10087	SCR 10-32 GX HXW 7/16 S	1		
140	WS31X10061	Trim Ring	1		
145	WS31X10058	Filter Air	1		
146	WS01X10053	Cover Air Filter Snap	1		
150	WS02X10084	SCR 8-18 B PNT 3/4 S Red	1		
159	WS19X21002	Wire T2 Kit	1		
161	WS19X10038	Ground Wire to J-Box	1		
162	WS19X10039	Wire L1-L2 Repair Kit	1		
331	WS02X10078	Clip Sensor (T3A/T4)	1		
332	WS17X21303	Wire Sensor T3A/T3B/T4	1		
334	WS02X10079	Clip Sensor (T3B)	1		
335	WS17X10011	Sensor ASM (T3A/T3B/T4)	1		
352	WS01X21224	Tie Wire (BLK)	1		
811	WR02X11607	Wire Tie	1		

GEH50DEEJSCA >> GEH50DEEJSCA >> BODY PARTS



Pos.	Part number	Description	Qty Note	Recommended
103	WS34X10030	Badge ASM GE	1	
106	WS02X10083	SCR 8-18 B PNT 7/16 S Red	1	
136	WS02X10087	SCR 10-32 GX HXW 7/16 S	1	
184	WS02X21225	Nut Lock 10-32	1	
203	WS02X20943	Rod Anode Isolated	1	
204	WS02X21302	Wire DC Anode	1	
205	WS07X20401	Water Extension Pipe	1	
206	WS07X10031	"Tube Insulation, Pipe"	1	
210	WS02X10073	Wire Tie Ball	1	
214	WS02X10075	1/4-20 Hex Nut- Locking	1	
215	WS17X20586	Thermistor T2 ASM	1	
216	WS28X20587	Bracket Thermistor T2	1	
217	WS17X10006	Tank Thermistor T2	1	
218	WS06X10014	"Valve, Temp/Pressure Relief"	1	
221	WS06X20402	Valve Drain Straight	1	
222	WS51X10002	Element Heating with Gasket	1	
223	WS08X20361	Diptube ASM	1	
224	WS82X10006	Cover Element (Upper) EPS	1	
225	WS31X10055	Cover Element Metal U. Red	1	
227	WS51X20588	Element Heating with Gasket	1	
230	WS02X10076	SCR 10-32 PNUP 3/8 S	1	
231	WS17X10009	TCO (Thermal Cut Out)	1	
234	WS17X10012	TCO DLB and Screws	1	
236	WS31X10056	Cover Element Metal L. Red	1	
237	WS03X10074	Clip Spring TCO	1	
239	WS34X10026	Barrier Dielectric	1	
240	WS01X10050	"Grommet Outlet, Red"	1	
241	WS01X10051	"Grommet Inlet, Blue"	1	

GEH50DEEJSCA >> GEH50DEEJSCA >> UNIT PARTS



Pos.	Part number	Description	Qty	Note	Recommended
102	WS19X21121	Capacitor Run	1		
114	WD02X10160	SCR 8-18 B HXW .480 S	1		
300	WS35X21301	Compressor Kit	1		
301	WS35X20591	Discharge Tube Kit	1		
302	WS02X20445	Washer Flat	1		
303	WS02X20444	Nut 5/16-18 HEX	1		
306	WS31X20404	Cover Terminal	1		
313	WS35X20681	Service Kit Drain Pan	1		
315	WS02X10085	SCR 10-32 HXW 2 1/2 S	1		
326	WS08X20405	Overload COMP	1		
333	WS03X10075	Mastic Thermal Sensors	1		
339	WS35X20622	Condensate Overflow Kit	1		
340	WS35X21241	EEV Coil Kit	1		
341	WS35X20590	EEV Valve Kit	1		
348	WS19X10034	Wire (G-B) GRD Compresso	1		
350	WS26X20393	Fan Motor EC	1		
360	WS35X20392	Fan Shroud ASM	1		
361	WS16X10003	Seal Foam Barrier	1		
362	WS16X10002	Seal Foam EVAP	1		
367	WR01X10757	SCR 8-32 GX IHX 3/8 SCA	1		
370	WS26X20102	Blade Fan	1		
371	WS02X10080	Spring Washer	1		
372	WS02X10081	Washer	1		
373	WS02X10082	Nut (Fan Blade to Motor)	1		
380	WS35X20621	Evaporator Kit	1		
388	WS35X20594	Filter Dryer Kit	1		
390	WS07X20593	Tube EVAP IN	1		
737	WR02X22869	Grommet	1		
811	WR02X11607	Wire Tie	1		