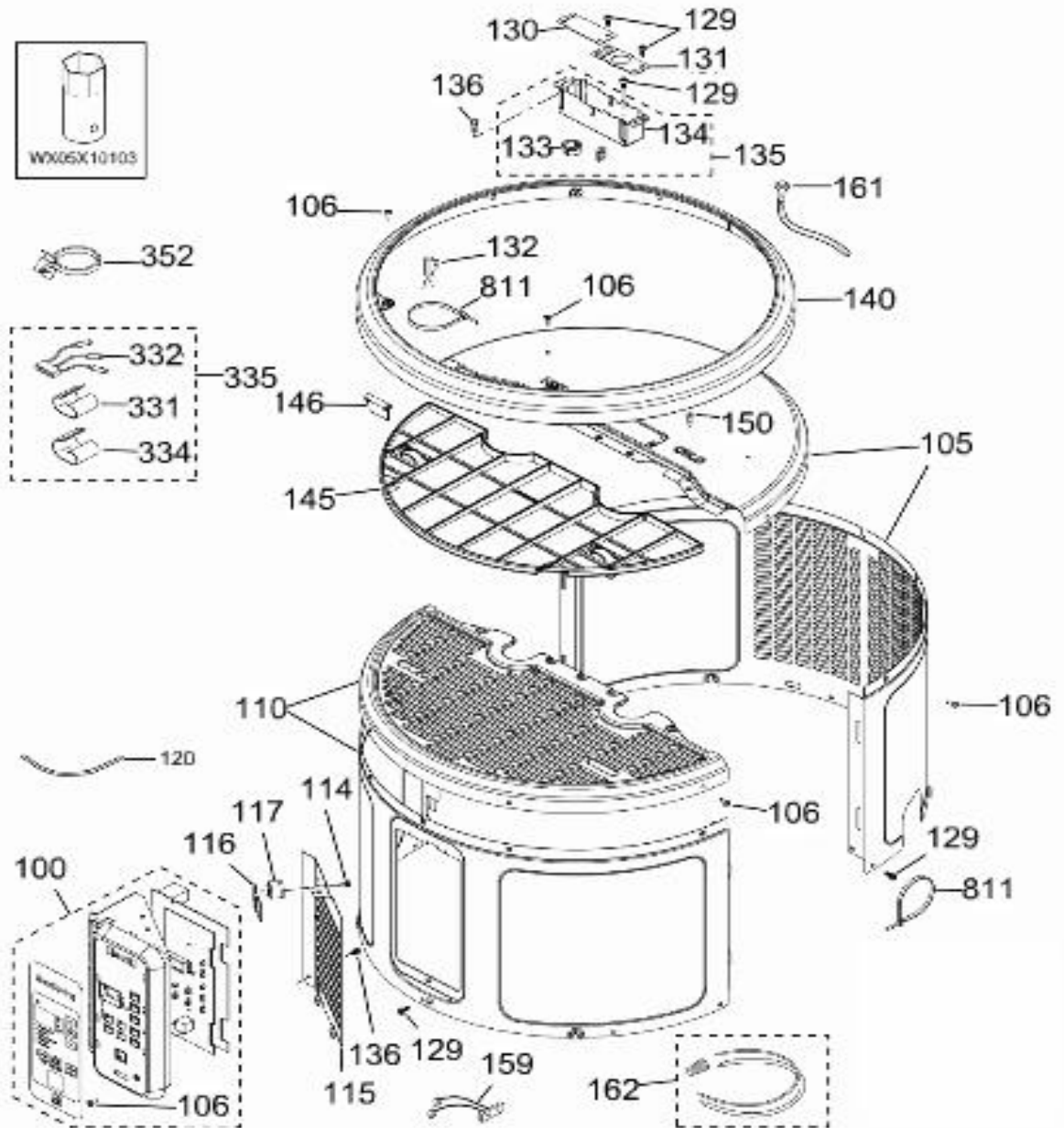
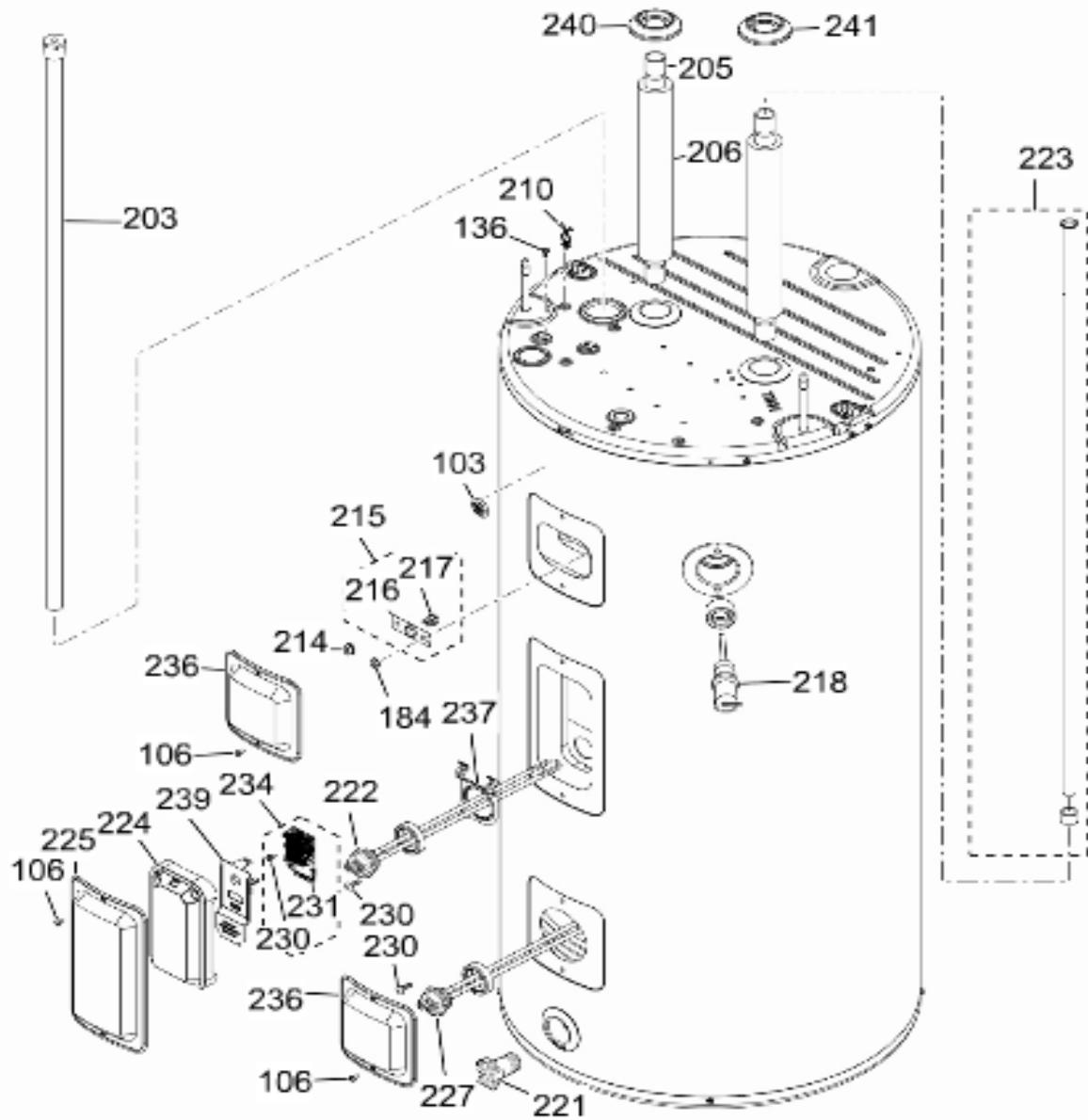


GEH80DFEJSRA >> GEH80DFEJSRA >> CONTROL PANEL & SHROUD



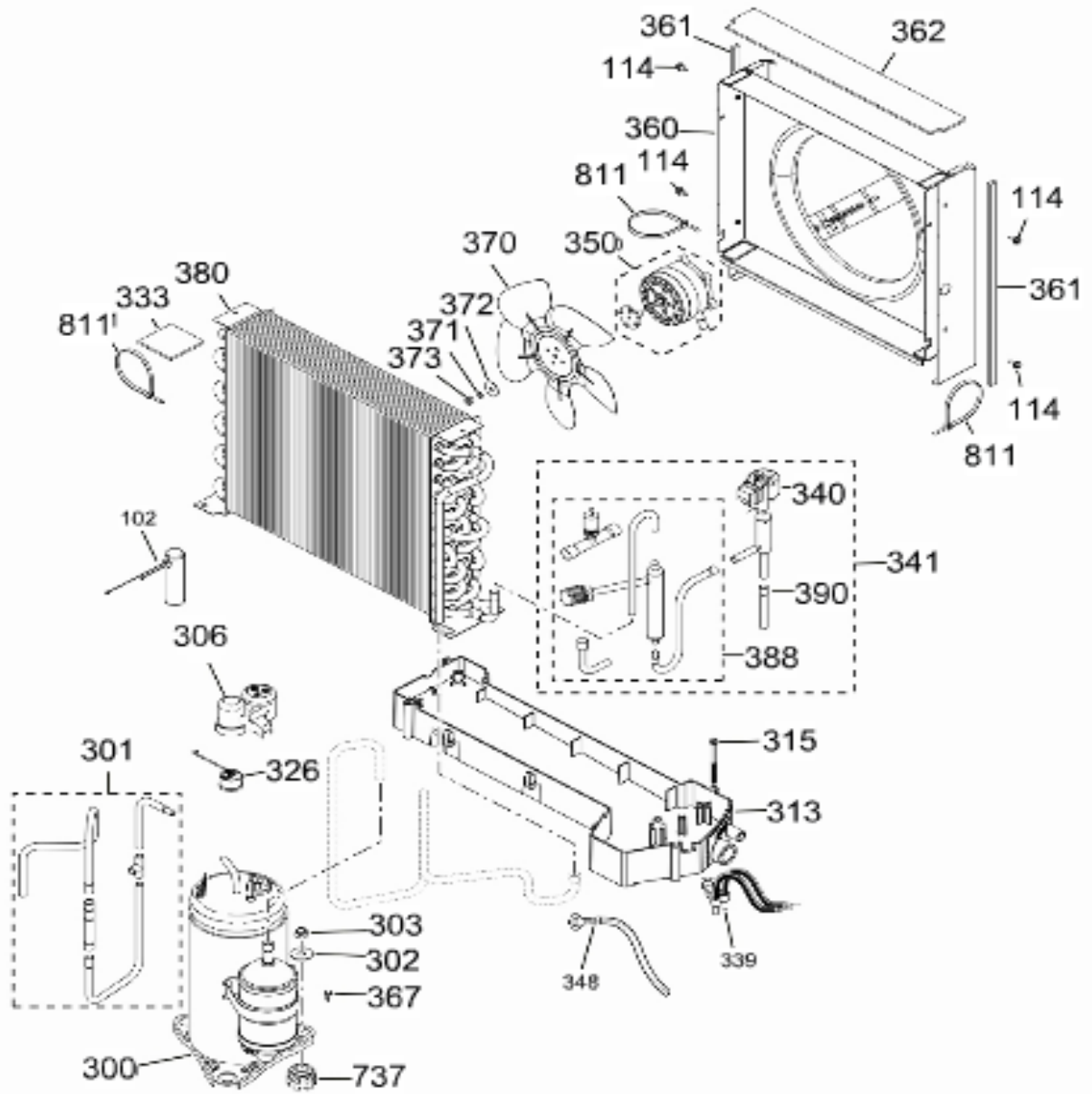
| Pos. | Part number | Description | Qty | Note | Recommended |
|------|-------------|---------------------------|-----|------|-------------|
| 100 | WS35X20581 | "Control ASM, Red" | 1 | | |
| 105 | WS31X10060 | Rear Shroud ASM | 1 | | |
| 106 | WS02X10083 | SCR 8-18 B PNT 7/16 S Red | 1 | | |
| 110 | WS35X23005 | Front Shroud Red ASM | 1 | | |
| 114 | WD02X10160 | SCR 8-18 B HXW .480 S | 1 | | |
| 115 | WS31X20384 | Rear Control Cover | 1 | | |
| 116 | WS28X10075 | Bracket Overload | 1 | | |
| 117 | WS08X20363 | Overload COMP | 1 | | |
| 120 | WS19X10033 | Wire (E-D) Yellow | 1 | | |
| 129 | WZ04X10001 | SCR 10-32 GX HXWS | 1 | | |
| 130 | WS01X20382 | Cover Access J-Box | 1 | | |
| 131 | WS01X20383 | Cover Fixed J-Box | 1 | | |
| 132 | WS17X21223 | Sensor T5 | 1 | | |
| 133 | WS02X10072 | Grommet DC (J-Box) | 1 | | |
| 134 | WS01X20381 | Cavity Junction Box | 1 | | |
| 135 | WS35X10073 | Junction Box ASM | 1 | | |
| 136 | WS02X10087 | SCR 10-32 GX HXW 7/16 S | 1 | | |
| 140 | WS31X10061 | Trim Ring | 1 | | |
| 145 | WS31X10058 | Filter Air | 1 | | |
| 146 | WS01X10053 | Cover Air Filter Snap | 1 | | |
| 150 | WS02X10084 | SCR 8-18 B PNT 3/4 S Red | 1 | | |
| 159 | WS19X21002 | Wire T2 Kit | 1 | | |
| 161 | WS19X10038 | Ground Wire to J-Box | 1 | | |
| 162 | WS19X10039 | Wire L1-L2 Repair Kit | 1 | | |
| 331 | WS02X10078 | Clip Sensor (T3A/T4) | 1 | | |
| 332 | WS17X21303 | Wire Sensor T3A/T3B/T4 | 1 | | |
| 334 | WS02X10079 | Clip Sensor (T3B) | 1 | | |
| 335 | WS17X10011 | Sensor ASM (T3A/T3B/T4) | 1 | | |
| 352 | WS01X21224 | Tie Wire (BLK) | 1 | | |
| 811 | WR02X11607 | Wire Tie | 1 | | |

GEH80DFEJSRA >> GEH80DFEJSRA >> BODY PARTS



| Pos. | Part number | Description | Qty Note | Recommended |
|------|-------------|-------------------------------|----------|-------------|
| 103 | WS34X10030 | Badge ASM GE | 1 | |
| 106 | WS02X10083 | SCR 8-18 B PNT 7/16 S Red | 1 | |
| 136 | WS02X10087 | SCR 10-32 GX HXW 7/16 S | 1 | |
| 184 | WS02X21225 | Nut Lock 10-32 | 1 | |
| 203 | WS02X20942 | Rod Anode | 1 | |
| 205 | WS07X20401 | Water Extension Pipe | 1 | |
| 206 | WS07X10031 | "Tube Insulation, Pipe" | 1 | |
| 210 | WS02X10073 | Wire Tie Ball | 1 | |
| 214 | WS02X10075 | 1/4-20 Hex Nut- Locking | 1 | |
| 215 | WS17X20586 | Thermistor T2 ASM | 1 | |
| 216 | WS28X20587 | Bracket Thermistor T2 | 1 | |
| 217 | WS17X10006 | Tank Thermistor T2 | 1 | |
| 218 | WS06X10014 | "Valve, Temp/Pressure Relief" | 1 | |
| 221 | WS06X10013 | Valve Drain | 1 | |
| 222 | WS51X10002 | Element Heating with Gasket | 1 | |
| 223 | WS08X20601 | Diptube ASM | 1 | |
| 224 | WS82X10006 | Cover Element (Upper) EPS | 1 | |
| 225 | WS31X10055 | Cover Element Metal U. Red | 1 | |
| 227 | WS51X20588 | Element Heating with Gasket | 1 | |
| 230 | WS02X10076 | SCR 10-32 PNUP 3/8 S | 1 | |
| 231 | WS17X10009 | TCO (Thermal Cut Out) | 1 | |
| 234 | WS17X10012 | TCO DLB and Screws | 1 | |
| 236 | WS31X10056 | Cover Element Metal L. Red | 1 | |
| 237 | WS03X10074 | Clip Spring TCO | 1 | |
| 239 | WS34X10026 | Barrier Dielectric | 1 | |
| 240 | WS01X10050 | "Grommet Outlet, Red" | 1 | |
| 241 | WS01X10051 | "Grommet Inlet, Blue" | 1 | |

GEH80DFEJSRA >> GEH80DFEJSRA >> UNIT PARTS



| Pos. | Part number | Description | Qty Note | Recommended |
|------|-------------|--------------------------|----------|-------------|
| 102 | WS19X21121 | Capacitor Run | 1 | |
| 114 | WD02X10160 | SCR 8-18 B HXW .480 S | 1 | |
| 300 | WS35X21301 | Compressor Kit | 1 | |
| 301 | WS35X20591 | Discharge Tube Kit | 1 | |
| 302 | WS02X20445 | Washer Flat | 1 | |
| 303 | WS02X20444 | Nut 5/16-18 HEX | 1 | |
| 306 | WS31X20404 | Cover Terminal | 1 | |
| 313 | WS35X20681 | Service Kit Drain Pan | 1 | |
| 315 | WS02X10085 | SCR 10-32 HXW 2 1/2 S | 1 | |
| 326 | WS08X20405 | Overload COMP | 1 | |
| 333 | WS03X10075 | Mastic Thermal Sensors | 1 | |
| 339 | WS35X20622 | Condensate Overflow Kit | 1 | |
| 340 | WS35X21241 | EEV Coil Kit | 1 | |
| 341 | WS35X20590 | EEV Valve Kit | 1 | |
| 348 | WS19X10034 | Wire (G-B) GRD Compresso | 1 | |
| 350 | WS26X20461 | Motor Fan | 1 | |
| 360 | WS35X20392 | Fan Shroud ASM | 1 | |
| 361 | WS16X10003 | Seal Foam Barrier | 1 | |
| 362 | WS16X10002 | Seal Foam EVAP | 1 | |
| 367 | WR01X10757 | SCR 8-32 GX IHX 3/8 SCA | 1 | |
| 370 | WS26X20102 | Blade Fan | 1 | |
| 371 | WS02X10080 | Spring Washer | 1 | |
| 372 | WS02X10081 | Washer | 1 | |
| 373 | WS02X10082 | Nut (Fan Blade to Motor) | 1 | |
| 380 | WS35X20621 | Evaporator Kit | 1 | |
| 388 | WS35X20594 | Filter Dryer Kit | 1 | |
| 390 | WS07X20593 | Tube EVAP IN | 1 | |
| 737 | WR02X22869 | Grommet | 1 | |
| 811 | WR02X11607 | Wire Tie | 1 | |